

Complete Vacuum Solutions



Vacuum Cups, Generators and Accessories Product Catalog

Table of Contents

EcoCup™ Electric Vacuum Cup

EcoCup™ Electric CupPage 4
 EcoCup™ Mounting OptionsPage 5



Vacuum Cups

Vacuum Cup Families and FeaturesPage 6
 Best Vacuum Cup for the JobPage 7
 Durometer and Mounting OptionsPage 8
 ACU Index, How Vacuum Works, Cup Usage,
 and Safety FactorPage 9
 Destacker Stress-Relieving Vacuum CupsPage 10
 Traction Vacuum CupsPage 11
 Round Flatfoot Vacuum CupsPage 12
 CC Series Round Flatfoot Vacuum CupsPage 13
 Round Belcup Vacuum CupsPage 14
 Round Deepdish Vacuum CupsPage 15
 Oval Flatfoot Vacuum CupsPage 16
 Oval Deepdish Vacuum CupsPage 17
 Application PhotosPage 18
 Round Flat Hot Forming Vacuum CupsPage 19
 Round Bellows Hot Forming Vacuum CupsPage 20
 Oval Flat Hot Forming Vacuum CupsPage 21
 Oval Bellows Hot Forming Vacuum CupsPage 22
 Micro Series Round Flat Vacuum CupsPage 23
 Micro Series Round Bellows Vacuum CupsPage 24
 Micro Series Round Multi-Bellows Vacuum CupsPage 25



Round Flatfoot Vacuum Cup (CPI-40FF-B-45) shown with the ARV-Auto Release Venturi (CPI-VSA-ARVR-750-U38) Cup Mount.

Part Lifting Magnets

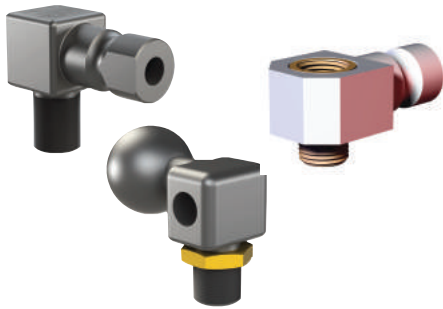
Mag-Lift MagnetsPage 26
 Magnetic GrippersPage 27



Venturi Style Vacuum Generator Cup Mounts

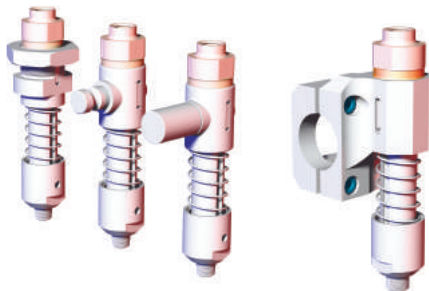
Venturi and Spring Cup Mount Features and Specifications ...Page 28
 ARV® Auto Release VenturiPage 29-30
 Low Profile 750/19 Series with Apple Core and Blow-Off.....Page 31
 500 Series MicroTool with Apple Core.....Page 32





Port Only Adaptors

Accelerate Port Only AdaptorsPage 33
 Microtool Port Only Adaptors.....Page 33
 Vacuum Extension.....Page 33



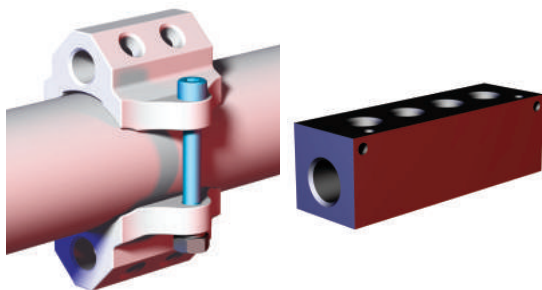
Spring-Loaded Cup Mounts

Micro Series Level Compensators.....Page 34
 Bulkhead Style Standard TravelPage 35
 Apple Core Style Standard TravelPage 36
 Bulkhead/Apple Core/Extension Style Extended Travel ...Page 37- 39
 Proximity Switch MountsPage 40



Destacker Double Blank Detector

Features and Ordering InformationPage 41
 Bulkhead/Apple Core/Extension MountPage 42-43
 Tube MountPage 44
 Heavy Duty (Double Pogo).....Page 45



Manifolds

Boom Mounted 4-Port Single Manifold
 with 30° Vacuum Port InputPage 46
 Boom Mounted 4-Port Single ManifoldPage 47
 Boom Mounted 8-Port Double Manifold.....Page 48
 Boom Mounted 6-Port Single Manifold.....Page 49
 Block Style ManifoldsPage 50-52

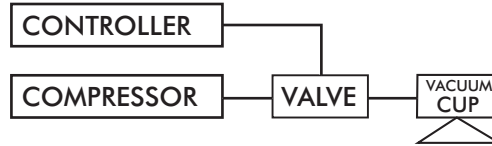
EcoCup™ WITH ecoSmart TECHNOLOGY creates vacuum without AIR!

Great for pick-and-place applications of flat, rigid, non-porous parts including: plastic, glass, solar panels, and electronics, as well as other consumer goods with smooth, flat surfaces.

The EcoCup™ features:

- Light-switch operation
- Ultra-fast actuation
- Noise-free operation
- Easy installation and setup
- Reduced maintenance costs
- Easy optional mounting to Scara robots
- Eliminated risk of air-borne contaminants and tested to over 5 million cycles.

The **OLD** way
with a Typical Pneumatic Setup



The **NEW** way
Using the new EcoCup™

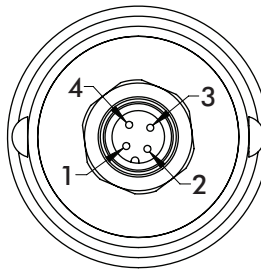


**No fittings,
no valves, no hoses,
no compressor, and
absolutely no AIR!**

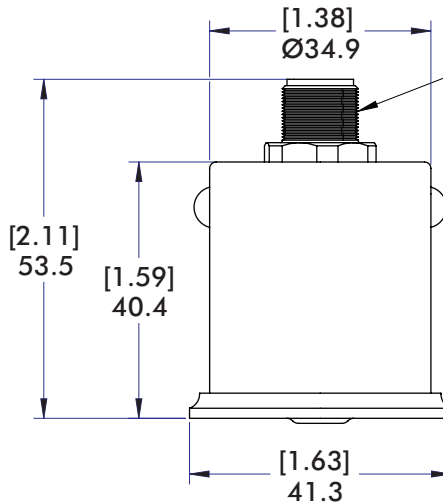
EcoCup™ EC40 Electric Vacuum Cup Assembly



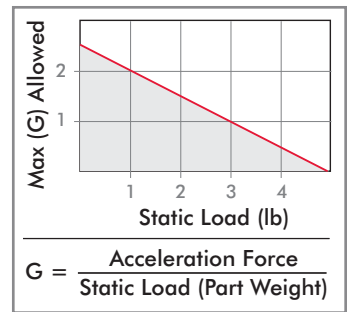
Patent Pending



M12 4-PIN (MALE)
CONNECTOR FACE VIEW
1: NOT USED
2: NOT USED
3: -0 VDC
4: +24 VDC



M12 4-PIN (MALE)
CONNECTOR
(ECOCUP™ MOUNT)



Specifications	VC-EC40-45N
Actuation Time	25 ms
Temperature Range	5° ~ 60°C [41° ~ 140°F]
Duty Cycle	50% (½ On, ½ Off)
Voltage	24 VDC
Current	0.5 Amp
Weight	0.12 kg [0.25 lb]
Cup Material	45 Durometer Nitrile

EcoCup™ EC40 Electric Vacuum Cup - Operation

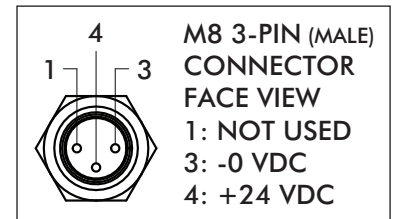
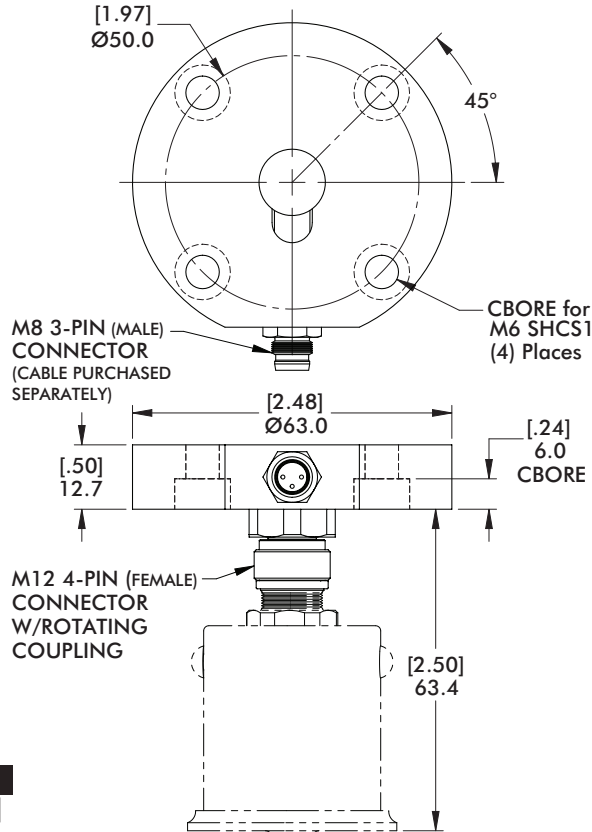
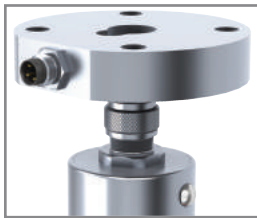
Holding Capacity	VC-EC40-45N
Recommended Load	<0.45kg [1.0 lb]

Loads from 0.45kg [1.0 lb] up to 1.81kg [4.0 lb] max. may be used with longer movement times. (See chart in drawing area for greater detail).

Operating Instructions:

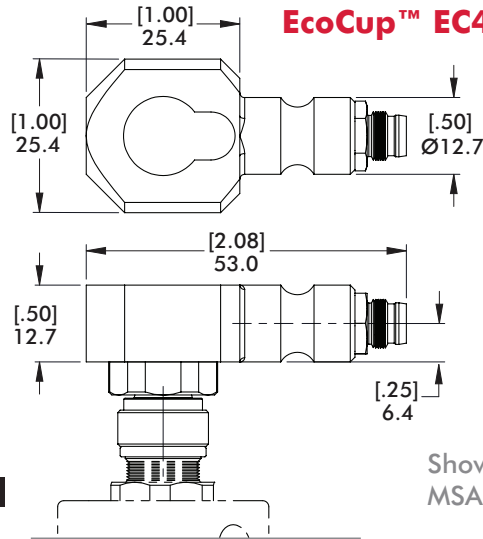
1. Set cup on smooth, flat surface of part.
2. Apply 24VDC to Pins 3 and 4 on M12 connector. (Center of cup lifts, creating vacuum)
3. Release voltage and part is released.

EcoCup™ EC40 Optional Scara Robot Mounting Plate



Model	Weight
VC-EC40-SRM50	111g [3.9 oz.]

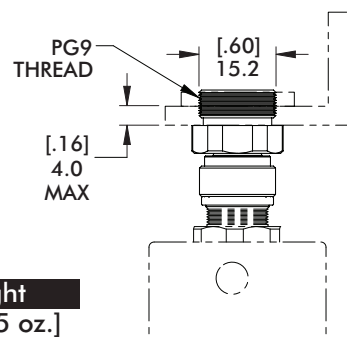
EcoCup™ EC40 Optional Apple Core Mounting



Shown with DE-STA-CO MSA Series Swivel Arm

Model	Weight
VC-EC40-ACM50	40g [1.4 oz.]

EcoCup™ EC40 M12 4-Pin Connector with Rotating Coupling (Contact DE-STA-CO for Custom Solutions)



Shown with custom plate for array mounting

Model	Weight
Turck #FKM 4.4-0.5	14g [0.5 oz.]

Vacuum Cups
Families and Features



US Patent #7,309,089

Round Destacker Vacuum Cup

- Designed specifically for pogo-style destacking applications.
- High compressive-strength and shock-resistance extends cup life.
- High vertical lifting capacity prior to part release.
- Provides low-impact part release during pull-off by utilizing the patent-pending stress relief port.



Round Traction Vacuum Cups

- For applications with slick/oily surfaces or for destackers.
- Internal cleats holds part more securely in high speed applications.
- Bellows add flexibility for minor misalignments.



Round Flatfoot Vacuum Cups

- For applications with flat to medium curvature and dry to medium slick/oily surfaces.
- Cleats provide full support to prevent damage to thin outer panels.
- Maximizes lifting capacity and minimizes slip.



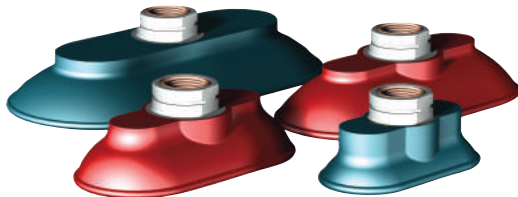
Round Belcup Vacuum Cups

- For applications with flat to mild contoured surfaces.
- Bellows add flexibility for minor misalignments.
- Ideal for general purpose.



Round Deepdish Vacuum Cups

- For applications with contoured surfaces.
- Thin lip wraps and seals curved surfaces tightly.
- Bell structure and internal design works best on materials with convex surfaces.



Oval Flatfoot Vacuum Cups

- For applications with medium slick/oily to dry surfaces.
- Oval shape maximizes contact on narrow panels and maximizes vertical lifting capacity.
- Cleats provide full support to prevent damage to thin outer panels.



Oval Deepdish Vacuum Cups

- For applications with contoured surfaces as well as wet or oily surfaces.
- Oval shape maximizes contact on narrow panels and bell structure works well on materials with convex surfaces.



Vacuum Cups
Best Vacuum Cup for the Job

Vacuum Cup Family

DESTACKER APPLICATION	FLAT CONTOURS	MILD CONTOURS	HIGH CONTOURS	SLICK/OILY SURFACES	DRY SURFACES	HOT FORMING	Application Direction
-----------------------	---------------	---------------	---------------	---------------------	--------------	-------------	-----------------------

US Patents #7,309,089
7,712,807



Destacker Vacuum Cups

5	5	N/A	N/A	3	5	N/A	VERTICAL
N/A	N/A	N/A	N/A	N/A	N/A	N/A	HORIZONTAL



Round Traction Vacuum Cups

4	5	4	2	5	5	N/A	VERTICAL
N/A	5	3	1	5	5	N/A	HORIZONTAL



Round Flatfoot Vacuum Cups

4	4	5	3	4	4	N/A	VERTICAL
N/A	4	5	3	4	4	N/A	HORIZONTAL



Round Belcup Vacuum Cups

4	5	4	2	3	4	N/A	VERTICAL
N/A	3	3	1	2	4	N/A	HORIZONTAL



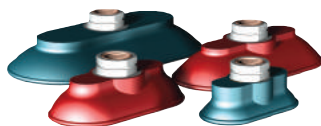
Round Deepdish Vacuum Cups

1	1	3	5	3	3	N/A	VERTICAL
N/A	1	3	5	3	3	N/A	HORIZONTAL



Oval Deepdish Vacuum Cups

1	3	4	2	4	3	N/A	VERTICAL
N/A	3	4	2	3	3	N/A	HORIZONTAL



Oval Flatfoot Vacuum Cups

3	4	3	1	4	4	N/A	VERTICAL
N/A	4	3	1	3	4	N/A	HORIZONTAL



Hot Forming Vacuum Cups

3	3	2	1	3	4	5	VERTICAL
N/A	3	2	1	2	3	5	HORIZONTAL

Worst Cup for the Job 1 2 3 4 5 Best Cup for the Job N/A Not Advised for the application

This chart is a guide to aid in selecting the right family of cup for general surfaces, contours, and applications.

Vacuum Cups
Durometer and Mounting Options

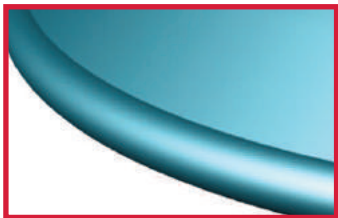


US Patent# 7,309,089

DE-STA-CO Vacuum Cups are offered in different families, and may be offered in different durometers. Vacuum cups are also offered in Imperial and Metric mounting options which may vary according to the size and type of the vacuum cup.

Vacuum cups can be ordered as follows:
CPI-“MODEL”-“Mounting”-“Durometer”

Vacuum Cup Durometers (“DR”) (Color equals Durometer (Shore A Scale))



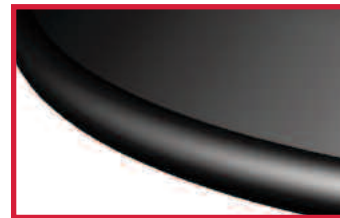
30

This soft durometer is useful for dryer, contoured panels. However, this durometer has less life.



45

This medium hard durometer will seal and adapt to contours well and is good for all around usage. This durometer has a longer life than the 30 durometer.



60

This hard durometer is helpful for extremely oily panels and flat surfaces such as a destacker operation. Vacuum cups of this durometer will have the longest life span.

= Durometer not available in cup style.

Imperial Vacuum Cup Mounting Options (“M”)



1/4" NPT



3/8" NPT



1.25" SQUARE



1/2" NPT



1/8" NPT MALE

Metric Vacuum Cup Mounting Options (“M”)



1/4" G



3/8" G



1.25" SQUARE

~~CUP~~ = Mount only available in this cup size.

~~CUP~~ = Mount not available in this cup size.

Micro Industrial Mounting Options (“M”)



10-32 MALE



1/8" G FEMALE



1/8" G MALE

Specialty Vacuum Cup Mounting Options (“M”)



M10 MALE



M8 FEMALE



SMOOTH BORE



QUICK DISCONNECT



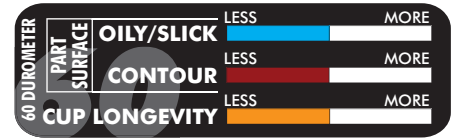
Vacuum Cups

ACU Index, How Vacuum Cups Work, Cup Usage, and Safety Factor

Application, Characteristics, and Usage (ACU) Index

Determining the type and durometer of vacuum cup appropriate for a particular application is typically based on three criteria.

- How oily or slick the part surface is.
- How much contour or curvature the part has.
- How long you can expect the cup to last (Longevity)?

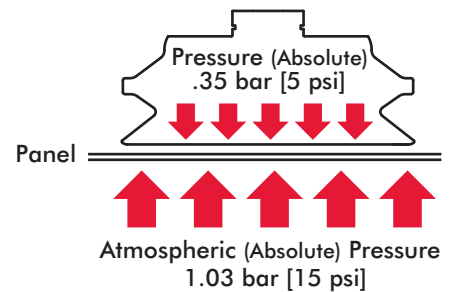


A set of vacuum cups of the same size and type, each having different durometers may handle oily/slick or contoured parts differently. However, cup longevity of each may be affected as a result of durometer, application and usage. The ACU Index is a reference shown with each type of vacuum cup and is used to illustrate the differences between vacuum cup types and durometers, when considering the above criteria.

How Vacuum Cups work

A panel adheres to a vacuum cup because the surrounding pressure (atmospheric pressure) is greater than the pressure inside the vacuum cup. The greater pressure pushes the panel onto the cup.

To create the low pressure in the vacuum cup, it is connected to a vacuum generator. The lower the pressure (higher vacuum) inside the cup; the greater the lifting force of the suction cup.



Vacuum Cup Usage

It is important to use the proper size and quantity of vacuum cups needed for your application. There are five steps which will help you make sure your application has the appropriate vacuum cup usage.

- Step 1:** Determine application and find appropriate cup family type.
- Step 2:** Determine panel weight.
- Step 3:** Find maximum cup size based on panel contour and shape.
- Step 4:** Find the appropriate cup size lifting capacity in the chart, found on the catalog page featuring the cup family type chosen.
- Step 5:** Determine safety factor determined on application (See Below).

Use the formula on the right to determine the proper amount of cups needed to move your panel.

Formula

$$n = \frac{w \times s}{f}$$

- w = Weight of Panel
- f = Lifting force of cup
- s = Safety factor
- n = Number of cups

Weight and lifting force must be in the same units, either English or Metric.

Safety Factor

Ideal plant conditions*: (2)

- Fast moving robot: (+1)
- Slick or Oily Panel: (+1)
- Flexing Panel: (+2)
- Small cups: (+1)
- High Horizontal Loads: (+1)

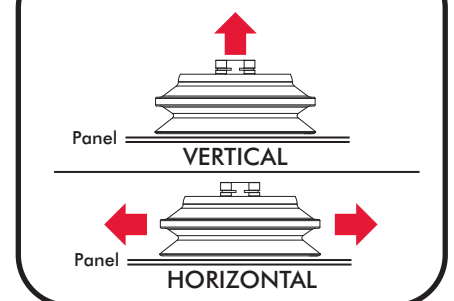
Starting with Ideal conditions (2), add each additional conditions to determine total safety factor.

For example:

Ideal conditions:	2
Fast moving robots:	+1
Flexing Panel:	+2
Total Safety Factor	5

(*Ideal conditions are defined as having no surface, operational, or environmental conditions which could adversely effect the performance to the vacuum cup.

Relative Cup Motion



Vacuum Cups

DC Destacker Stress Relieving Dimensions and Ordering Information



Specifications:

Temperature:

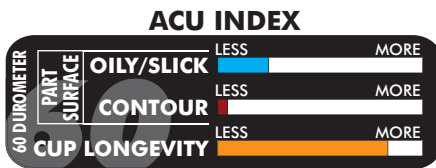
15-59 Sec: -20° to 250° F [-29° to 121° C]

1-5 min: 15° to 180° F [-9° to 82° C]

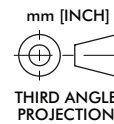
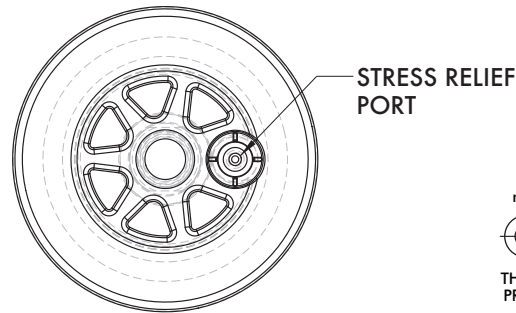
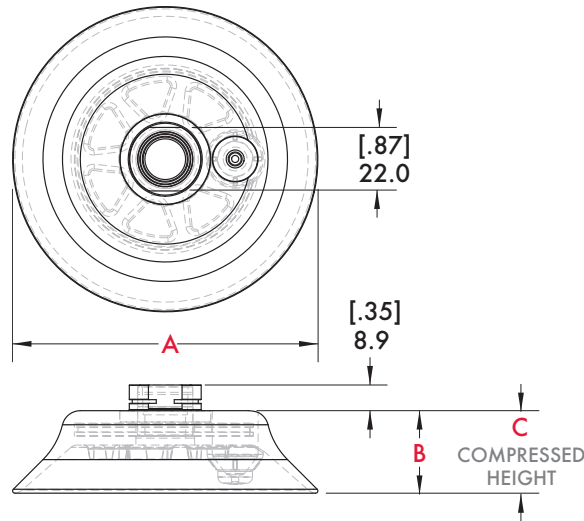
Material: Nitrile

Chemical Resistance:

Oil, water, grease, hydraulic fluid, alcohol



US Patent# 7,309,089



DC Dimensions

Model	A	B	C	Weight
75DC	84.8	25.4	16.7	84 g
[30DC]	[3.34]	[1.00]	[.68]	[3.0 oz]
100DC	105.9	28.6	16.7	120 g
[40DC]	[4.16]	[1.11]	[.68]	[4.2 oz]

DC Capacity

Appl.	Ver. Lift
75DC	15.9 kg
[30DC]	[35 lb]
100DC	63.1 kg
[40DC]	[139 lb]

DC Destacker Stress Re Ordering Information

Imperial

Ø3.00" CPI-30DC-(M)-60

Ø4.00" CPI-40DC-(M)-60

Metric

Ø75 mm CPI-75DC-(M)-60

Ø100 mm CPI-100DC-(M)-60

(DR) = Durometer



(M) = Mounts Available



(DR) = Durometer



(M) = Mounts Available





Vacuum Cups

TC/HT Round Traction Dimensions and Ordering Information



Specifications:

Temperature:

15-59 Sec: -29° to 121° C [-20° to 250° F]

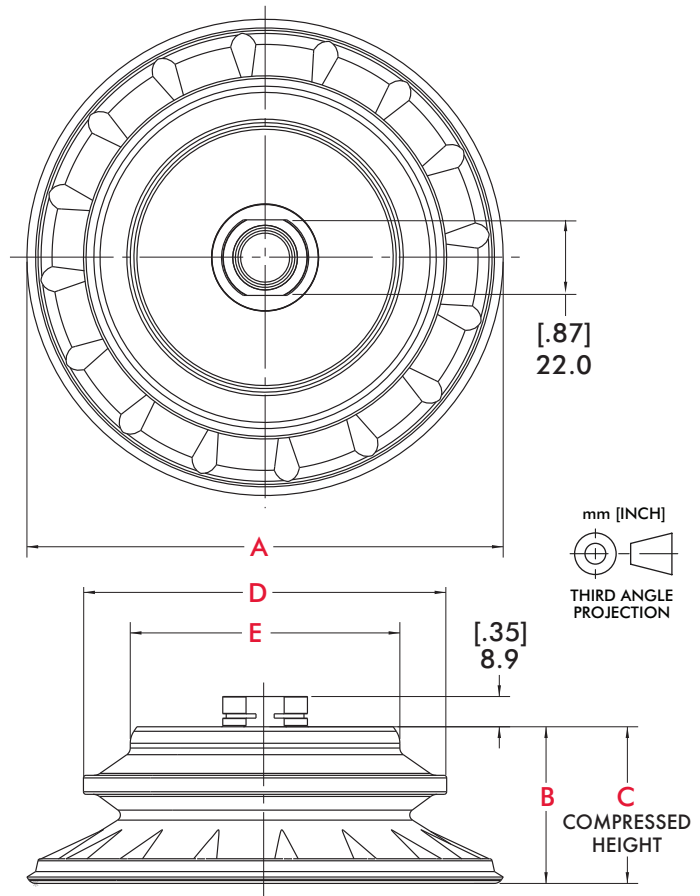
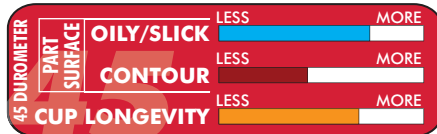
1-5 min: -9° to 82° C [15° to 180° F]

Material: Nitrile

Chemical Resistance:

Oil, water, grease, hydraulic fluid, alcohol

ACU INDEX



TC/HT Dimensions

Model	A	B	C	D	E	Weight
[20TC]	[2.06]	[1.02]	[.68]	[1.64]	[1.25]	[1.3 oz]
50HT	52.3	25.7	17.3	41.7	31.8	37 g
[35TC]	[3.50]	[1.71]	[.82]	[2.50]	[1.65]	[2.6 oz]
90HT	88.9	43.44	20.8	63.5	41.9	73 g
[45TC]	[4.50]	[1.81]	[.87]	[3.25]	[2.25]	[4.4 oz]
115HT	114.3	46.1	22.1	82.4	57.2	125 g
[55TC]	[5.50]	[1.81]	[.87]	[4.00]	[3.04]	[7.2 oz]
140HT	139.7	46.1	22.1	101.4	77.1	204 g

TC/HT Holding Capacity

Appl.	Hor. Dry	Hor. Wet	Ver. Lift
[20TC]	[8.5 lb]	[7 lb]	3.2 [22.7 lb]
50HT	3.9 kg	kg	10.3 kg
[35TC]	[30 lb]	[20 lb]	[66 lb]
90HT	13.6 kg	9.1 kg	29.9 kg
[45TC]	[45 lb]	[30 lb]	[103 lb]
115HT	20.4 kg	13.6 kg	46.7 kg
[55TC]	[100 lb]	[45 lb]	[164 lb]
140HT	45.5 kg	20.4 kg	74.4 kg

TC/HT Round Traction Vacuum Cups Ordering Information

Imperial

- Ø2.00" CPI-20TC-(M)-(DR)
- Ø3.50" CPI-35TC-(M)-(DR)
- Ø4.50" CPI-45TC-(M)-(DR)
- Ø5.50" CPI-55TC-(M)-(DR)

(M) = Mounts Available



(DR) = Durometer



Metric

- Ø50mm CPI-50HT-(M)-(DR)
- Ø90mm CPI-90HT-(M)-(DR)
- Ø115mm CPI-115HT-(M)-(DR)
- Ø140mm CPI-140HT-(M)-(DR)

(M) = Mounts Available

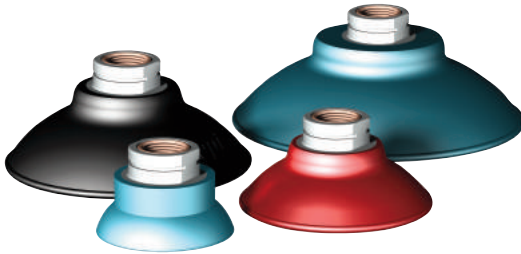


(DR) = Durometer



Vacuum Cup

FF/PF Round Flatfoot Dimensions and Ordering Information



Specifications:

Temperature:

15-59 Sec: -20° to 250° F [-29° to 121° C]

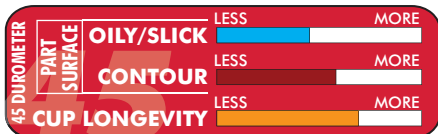
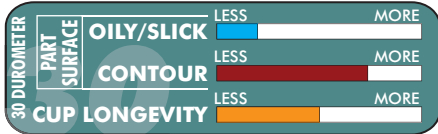
1-5 min: 15° to 180° F [-9° to 82° C]

Material: Nitrile

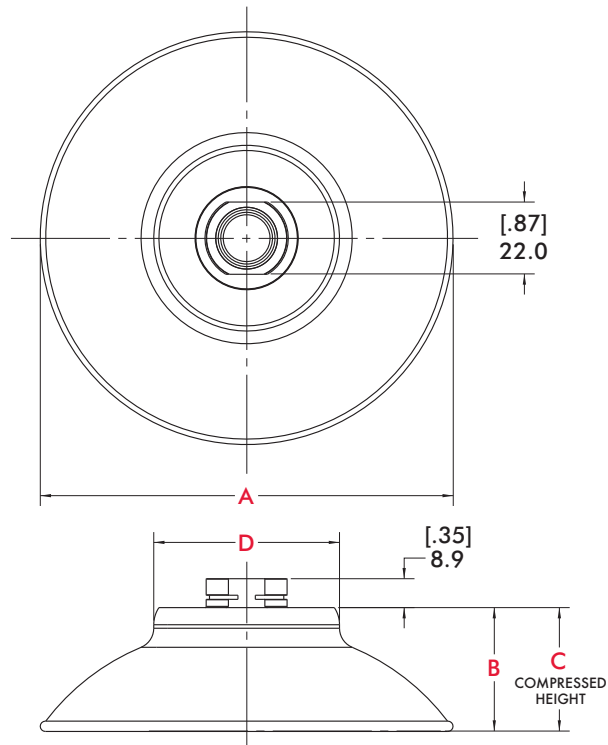
Chemical Resistance:

Oil, water, grease, hydraulic fluid, alcohol

ACU INDEX



Smaller Round Flatfoot Cups available upon request, Please contact DE-STA-CO Customer Service for more information.



FF/PF Round Flatfoot

Model	A	B	C	D	Weight
50PF	50.8	22.5	13.0	19.1	40 g
[20FF]	[2.00]	[.89]	[.51]	[.75]	[1.4 oz]
75PF	76.2	25.4	18.2	39.6	57 g
[30FF]	[3.00]	[1.00]	[.72]	[1.56]	[2.0 oz]
100PF	101.6	33.3	22.2	39.6	96 g
[40FF]	[4.00]	[1.31]	[.88]	[1.56]	[3.4 oz]
125PF	127.0	38.2	25.4	57.2	159 g
[50FF]	[5.00]	[1.50]	[1.00]	[2.25]	[5.6 oz]

FF/PF Vacuum Cup Capacities:

Appl.	Hor. Dry	Hor. Wet	Ver. Lift
50PF	6.4 kg	2.7 kg	9.1 kg
[20FF]	[14 lb]	[6 lb]	[20 lb]
75PF	13.6 kg	5.9 kg	27.2 kg
[30FF]	[30 lb]	[13 lb]	[60 lb]
100PF	15.9 kg	9.1 kg	46.3 kg
[40FF]	[35 lb]	[20 lb]	[102 lb]
125PF	31.8 kg	25.8 kg	74.8 kg
[50FF]	[70 lb]	[55 lb]	[165 lb]

FF/PF Round Flatfoot Vacuum Cups Ordering Information

Imperial

- Ø2.00" CPI-20FF-(M)-(DR)
- Ø3.50" CPI-30FF-(M)-(DR)
- Ø4.50" CPI-40FF-(M)-(DR)
- Ø5.50" CPI-50FF-(M)-(DR)

(DR) = Durometer

30 45 60

(M) = Mounts Available

K B C D 40FF 50FF E1

Metric

- Ø2.00" CPI-50PF-(M)-(DR)
- Ø3.50" CPI-75PF-(M)-(DR)
- Ø4.50" CPI-100PF-(M)-(DR)
- Ø5.50" CPI-125PF-(M)-(DR)

(DR) = Durometer

30 45 60

(M) = Mounts Available

A B C



Vacuum Cups

CC Series Round Flatfoot Dimensions and Ordering Information



Applications:

- In automotive applications, this cup is used primarily for stabilizing a panel where typical vacuum cups cannot be used during transfer.
- In industrial manufacturing, this cup is ideal for use in light-duty applications such as light appliance manufacturing and can be used in some plastic injection molding processes.

Specifications:

Temperature:

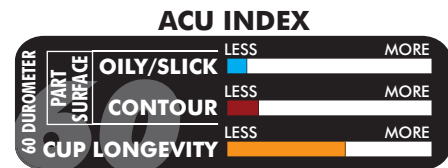
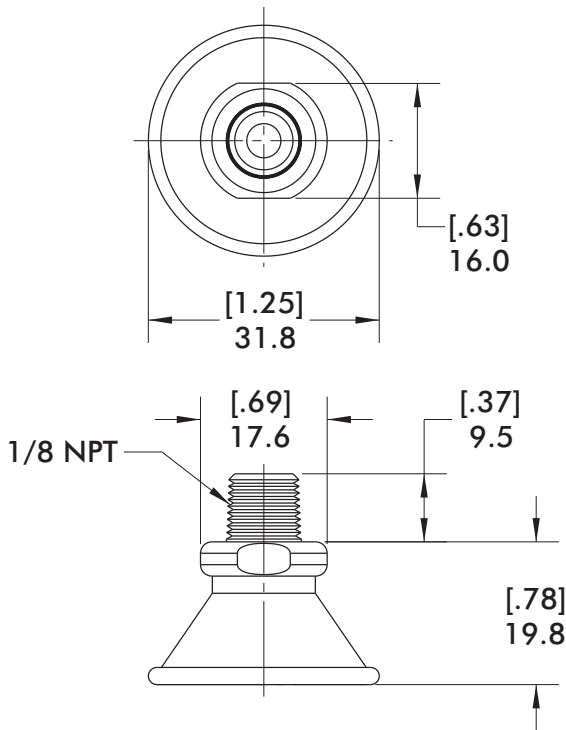
15-59 Sec: -20° to 250° F [-29° to 121° C]

1-5 min: 15° to 180° F [-9° to 82° C]

Material: Nitrile

Chemical Resistance:

Oil, water, grease, hydraulic fluid, alcohol



Weight
8.5 g [0.3 oz.]

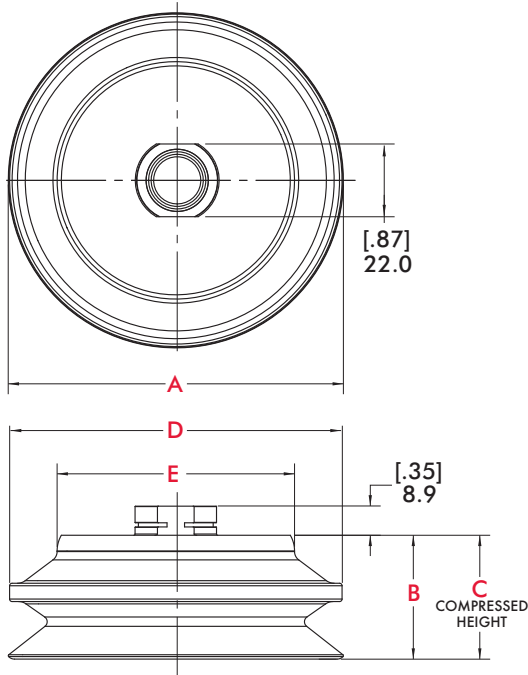
CC Series Round Flatfoot Vacuum Cups Ordering Information

Imperial

Ø1.25"CPI-10CC-U18-60

Vacuum Cups

AC/BT Round Belcup Dimension and Ordering Information



Specifications:

Temperature:

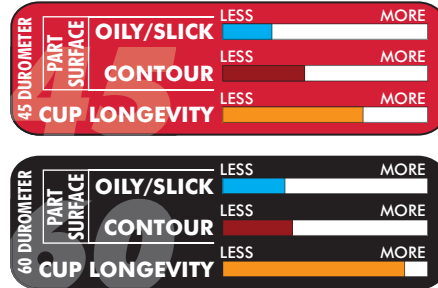
15-59 Sec: -20° to 250° F [-29° to 121° C]
 1-5 min: 15° to 180° F [-9° to 82° C]

Material: Nitrile

Chemical Resistance:

Oil, water, grease, hydraulic fluid, alcohol

ACU INDEX



Smaller Round Bellow Cups available upon request,
 Please contact DE-STA-CO Customer Service for more information.

AC/BT Round Belcup

Model	A	B	C	D	E	Weight
40BT	41.1	25.9	11.9	41.1	31.8	35 g
[15AC]	[1.62]	[1.02]	[.47]	[1.63]	[1.25]	[1.2 oz]
50BT	57.4	37.4	18.3	57.9	38.1	57 g
[20AC]	[2.26]	[1.47]	[.72]	[2.28]	[1.50]	[2.0 oz]
75BT	78.9	38.8	19.8	80.0	56.6	91 g
[30AC]	[3.11]	[1.53]	[.78]	[3.15]	[2.23]	[3.2 oz]
100BT	102.4	37.8	18.6	101.6	72.6	159 g
[40AC]	[4.03]	[1.49]	[.73]	[4.00]	[2.85]	[5.6 oz]
125BT	127.0	38.1	19.0	127.0	97.8	232 g
[50AC]	[5.00]	[1.50]	[.75]	[5.00]	[3.85]	[8.2 oz]

AC/BT Vacuum Cup Capacities:

Appl.	Hor. Dry	Hor. Wet	Ver. Lift
40BT	2.7 kg	1.4 kg	3.6 kg
[15AC]	[6 lb]	[3 lb]	[8 lb]
50BT	3.9 kg	2.0 kg	11.8 kg
[20AC]	[8.5 lb]	[4.5 lb]	[26 lb]
75BT	5.4 kg	2.7 kg	25.4 kg
[30AC]	[12 lb]	[6 lb]	[56 lb]
100BT	15.0 kg	3.6 kg	40.4 kg
[40AC]	[33 lb]	[8 lb]	[89 lb]
125BT	24.0 kg	6.8 kg	62.6 kg
[50AC]	[53 lb]	[15 lb]	[138 lb]

AC/BT Round Belcup Vacuum Cups Ordering Information

Imperial

- Ø1.50" CPI-15AC-(M)-(DR)
- Ø2.00" CPI-20AC-(M)-(DR)
- Ø3.00" CPI-30AC-(M)-(DR)
- Ø4.00" CPI-40AC-(M)-(DR)
- Ø5.00" CPI-50AC-(M)-(DR)

(DR) = Durometer

~~45~~ 60

(M) = Mounts Available

~~K~~ ~~B~~ ~~C~~ ~~D~~ ~~15AC~~ ~~20AC~~ ~~E1~~ ~~15AC~~ M8F 20AC

Metric

- Ø40mm CPI-40BT-(M)-(DR)
- Ø50mm CPI-50BT-(M)-(DR)
- Ø75mm CPI-75BT-(M)-(DR)
- Ø100mm CPI-100BT-(M)-(DR)
- Ø125mm CPI-125BT-(M)-(DR)

(DR) = Durometer

~~45~~ 60

(M) = Mounts Available

A B C M10



Vacuum Cups

DD/DM Round Deepdish Dimensions and Ordering Information



Specifications:

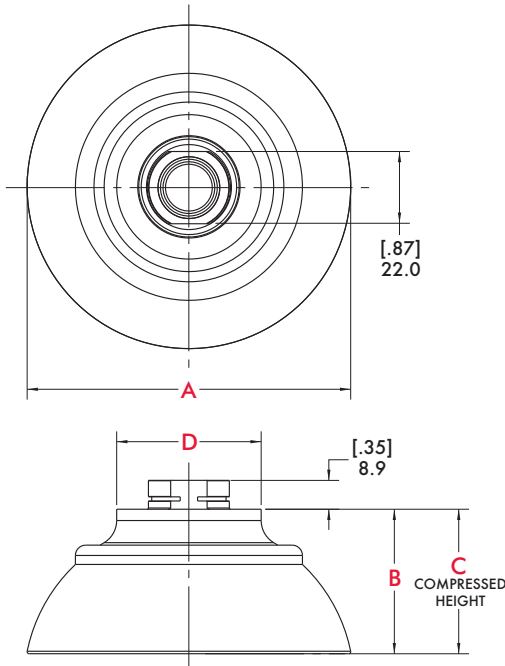
Temperature:

15-59 Sec: -20° to 250° F [-29° to 121° C]
 1-5 min: 15° to 180° F [-9° to 82° C]

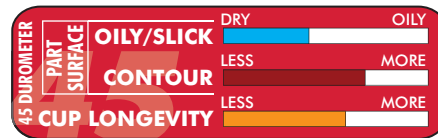
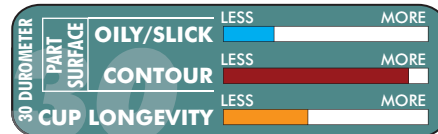
Material: Nitrile

Chemical Resistance:

Oil, water, grease, hydraulic fluid, alcohol



ACU INDEX



DD/DM Round Deepdish

Model	A	B	C	D	Weight
50DM	50.8	29.1	18.3	38.1	40 g
[20DD]	[2.00]	[1.14]	[.72]	[1.50]	[1.4 oz]
75DM	76.2	40.4	24.3	44.0	57 g
[30DD]	[3.00]	[1.59]	[.96]	[1.73]	[2.0 oz]
100DM	101.6	44.5	20.8	44.5	96 g
[40DD]	[4.00]	[1.75]	[.82]	[1.75]	[3.4 oz]

DD/DM Vacuum Cup Capacities:

Appl.	Hor. Dry	Hor. Wet	Ver. Lift
50DM	4.1 kg	3.2 kg	5.4 kg
[20DD]	[9 lb]	[7 lb]	[12 lb]
75DM	6.4 kg	2.7 kg	9.1 kg
[30DD]	[14 lb]	[6 lb]	[20 lb]
100DM	11.3 kg	3.2 kg	15.8 kg
[40DD]	[25 lb]	[7lb]	[35 lb]

DD/DM Round Deepdish Vacuum Cups Ordering Information

Imperial

- Ø2.00" CPI-20DD-(M)-(DR)
- Ø3.00" CPI-30DD-(M)-(DR)
- Ø4.00" CPI-40DD-(M)-(DR)

(DR) = Durometer



(M) = Mounts Available



Metric

- Ø50mm CPI-50DM-(M)-(DR)
- Ø75mm CPI-75DM-(M)-(DR)
- Ø100mm CPI-100DM-(M)-(DR)

(DR) = Durometer



(M) = Mounts Available



Vacuum Cups

FF/PF Oval FlatFoot Dimensions and Ordering Information



Specifications:

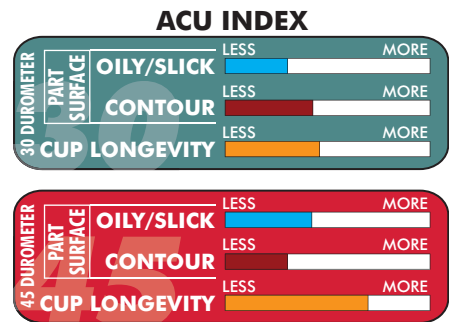
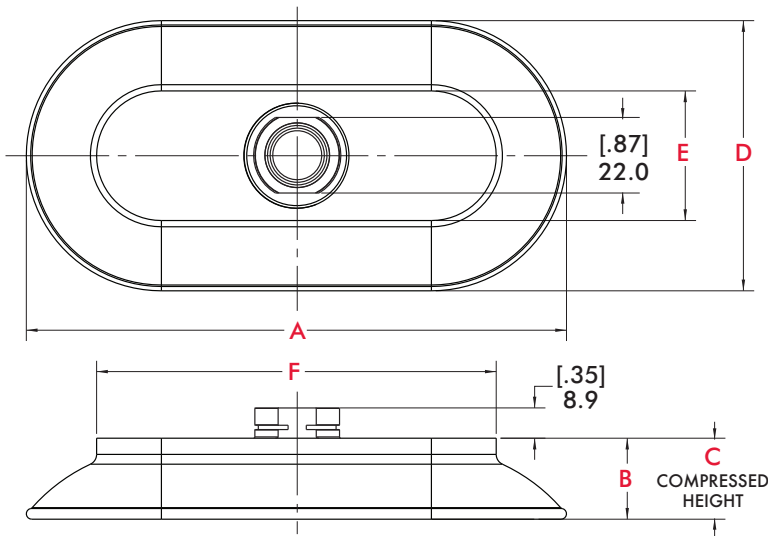
Temperature:

15-59 Sec: -20° to 250° F [-29° to 121° C]
 1-5 min: 15° to 180° F [-9° to 82° C]

Material: Nitrile

Chemical Resistance:

Oil, water, grease, hydraulic fluid, alcohol



FF/PF Oval Flatfoot

Model	A	B	C	D	E	F	Weight
40-75PF [153FF]	76.2 [3.00]	22.3 [.88]	16.2 [.64]	38.1 [1.50]	22.2 [.88]	60.3 [2.37]	35 g [1.2 oz]
50-100PF [24FF]	101.6 [4.00]	23.8 [.94]	16.2 [.64]	50.8 [2.00]	22.2 [.88]	73.0 [2.88]	119 g [4.2 oz]
60-125PF [255FF]	127.0 [5.00]	22.3 [.88]	16.2 [.64]	63.5 [2.50]	22.2 [.88]	85.7 [3.38]	147 g [5.2 oz]
75-150PF [36FF]	152.9 [6.00]	25.4 [1.00]	18.3 [.72]	76.2 [3.00]	38.1 [1.50]	114.3 [4.50]	201 g [7.1 oz]

FF/PF Vacuum Cup Capacities:

Appl.	Hor. Dry	Hor. Wet	Ver. Lift
40-75PF [153FF]	6.8 kg [15 lb]	2.3 kg [5 lb]	8.2 kg [18 lb]
50-100PF [24FF]	8.2 kg [18 lb]	2.7 kg [6 lb]	19.1 kg [42 lb]
60-125PF [255FF]	20.4 [45 lb]	3.2 kg [7 lb]	25 kg [55 lb]
75-150PF [36FF]	24.9 [55 lb]	4.1 kg [9 lb]	32.7 kg [72 lb]

FF/PF Oval FlatFoot Vacuum Cups Ordering Information

Imperial

- 1.50" x 3.00" CPI-153FF-(M)-(DR)
- 2.00" x 4.00" CPI-24FF-(M)-(DR)
- 2.50" x 5.00" CPI-255FF-(M)-(DR)
- 3.00" x 6.00" CPI-36FF-(M)-(DR)

(DR) = Durometer



(M) = Mounts Available



Metric

- 40 x 75mm CPI-40-75PF-(M)-(DR)
- 50 x 100mm CPI-50-100PF-(M)-(DR)
- 60 x 125mm CPI-60-125PF-(M)-(DR)
- 75 x 150mm CPI-75-150PF-(M)-(DR)

(DR) = Durometer



(M) = Mounts Available





Vacuum Cup
DD/DM Oval Deepdish Dimensions and Ordering Information



Specifications:

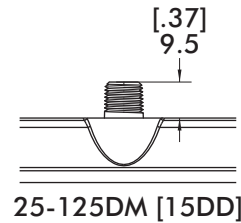
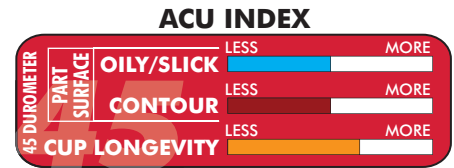
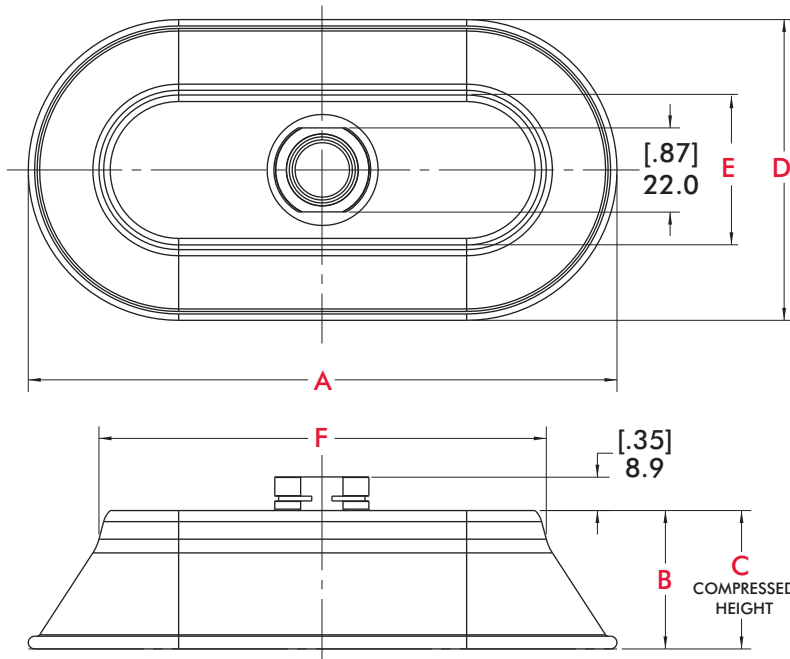
Temperature:

15-59 Sec: -20° to 250° F [-29° to 121° C]
1-5 min: 15° to 180° F [-9° to 82° C]

Material: Nitrile

Chemical Resistance:

Oil, water, grease, hydraulic fluid, alcohol



DD/DM Oval Deepdish

Model	A	B	C	D	E	F	Weight
25-125DM [15DD]	128.7 [5.06]	17.1 [.67]	8.7 [.34]	27.0 [1.06]	12.9 [.51]	114.5 [4.51]	35 g [1.2 oz]
75-150DM [36DD]	155.8 [6.13]	36.7 [1.44]	16.51 [.65]	79.6 [3.13]	39.7 [1.56]	118.4 [4.65]	201 g [7.1 oz]

DD/DM Vacuum Cup Capacities:

Appl.	Hor. Dry	Hor. Wet	Ver. Lift
25-125DM [15DD]	10.0 kg [22 lb]	3.2 kg [7 lb]	15.9 kg [35 lb]
75-150DM [36DD]	24.9 kg [55 lb]	10.4 kg [23 lb]	63.1 kg [139 lb]

DD/DM Oval Deepdish Vacuum Cups Ordering Information

Imperial

1.00" x 5.00" CPI-15DD-(M)-(45)
3.00" x 6.00" CPI-36DD-(M)-(45)

Metric

25 x 125mm CPI-25-125DM-(M)-(45)
75 x 150mm CPI-75-150DM-(M)-(45)

(DR) = Durometer



(M) = Mounts Available



(DR) = Durometer



(M) = Mounts Available



Vacuum Cups Application Photos



Round Traction
CPI-45TC-B-45 (Shown)



Round Deepdish
CPI-40DD-B-45 (Shown)



Oval Deepdish
CPI-15DD-B-45 (Shown)



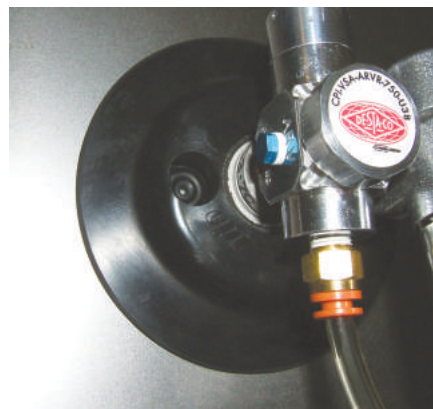
Round Belcup
CPI-30AC-B-45 (Shown)



Round Flatfoot
CPI-40FF-B-45 (Shown)



Oval Deepdish
CPI-36DD-B-45 (Shown)



Destacker Stress Relieving
CPI-40DC-B-60 (Shown)
US Patent# 7,309,089



CC Series Round Flatfoot
CPI-10CC-U18-60 (Shown)

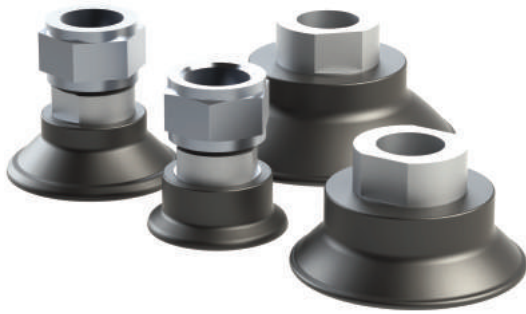


Oval Flatfoot
CPI-36FF-B-45 (Shown)



Vacuum Cup

MFF Round Flat Hot Forming Dimensions and Ordering Information



Specifications:

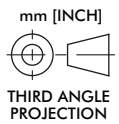
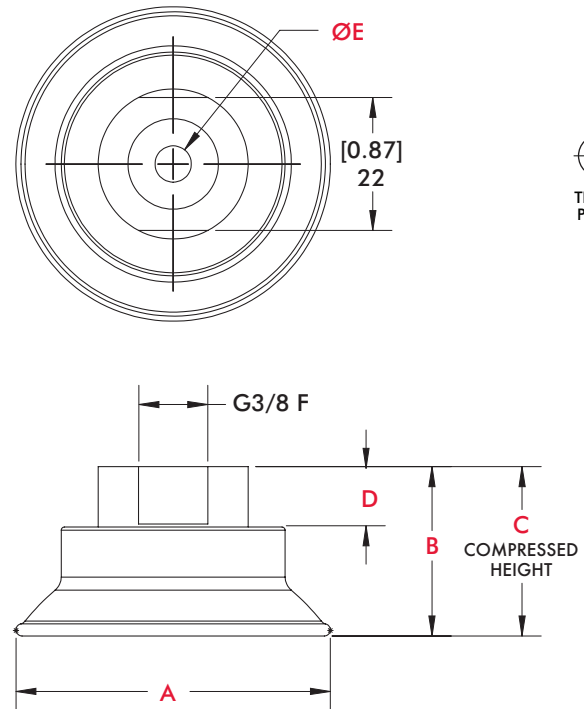
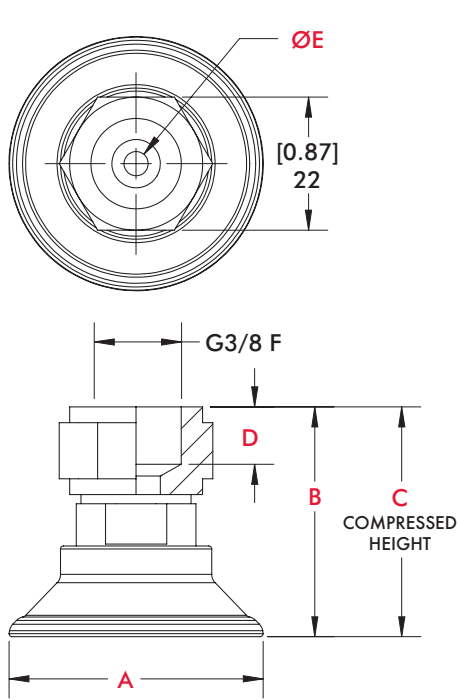
Temperature:

Resistant up to 250° C [482° F]
(sheet metal temperature)

Material: Silicone free HT2

Chemical Resistance:

Oil, water, grease, hydraulic fluid, alcohol



MFF Dimensions

Model	A	B	C	D	E	Weight
30MFF	[1.34] 34	[1.42] 36	[1.30] 33	[0.35] 9	[0.16] 4	[1.64 oz] 46.5 g
40MFF	[1.81] 46	[1.50] 38	[1.34] 34	[0.35] 9	[0.16] 4	[1.77 oz] 50.1 g
50MFF	[2.20] 56	[1.10] 28	[0.91] 23	[0.59] 15	[0.24] 6	[1.35 oz] 38.2 g
60MFF	[2.64] 67	[1.22] 31	[0.98] 25	[0.59] 15	[0.24] 6	[0.95 oz] 27 g

Dimensions shown "mm [inch]"

MFF Holding Capacity @ -0.6 bar vacuum

Appl.	Vert. Lift	Horz. Dry	Horz. Wet
30MFF	[8.5] 38	[6.7] 30	[6.3] 28
40MFF	[15.5] 69	[11.7] 52	[11.2] 50
50MFF	[22.5] 100	[18.0] 80	[17.1] 76
60MFF	[33.7] 150	[23.6] 105	[19.1] 85

Holding capacities shown "N [lbf]"

MFF Ordering Information

Metric

- Ø30mm CPI-30MFF-B-HT
- Ø40mm CPI-40MFF-B-HT
- Ø50mm CPI-50MFF-B-HT
- Ø60mm CPI-60MFF-B-HT

Vacuum Cup

MTC Round Bellows Hot Forming Dimensions and Ordering Information



Specifications:

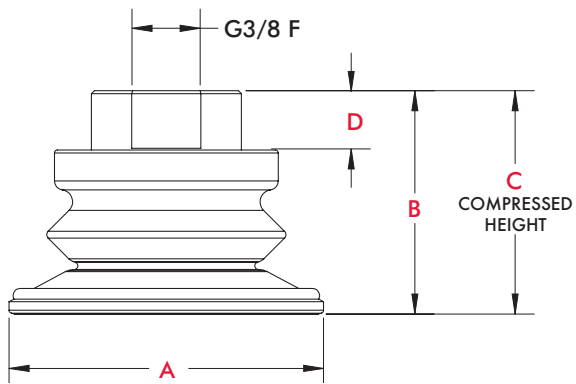
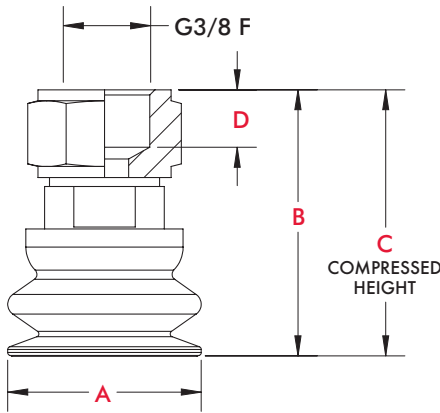
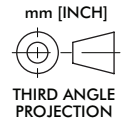
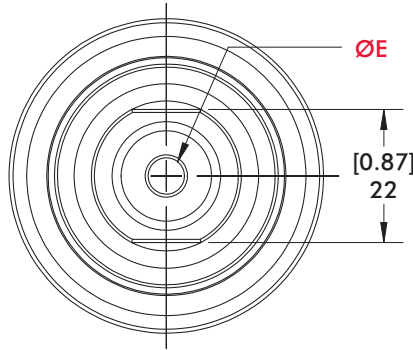
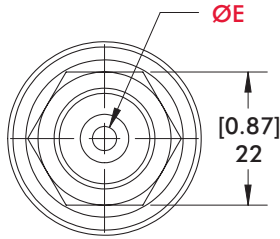
Temperature:

Resistant up to 250° C [482° F]
(sheet metal temperature)

Material: Silicone free HT2

Chemical Resistance:

Oil, water, grease, hydraulic fluid, alcohol



MTC Dimensions

Model	A	B	C	D	E	Weight
22MTC	[0.87] 22	[1.61] 41	[1.39] 35.2	[0.35] 9.5	[0.14] 3.5	[1.54 oz] 43.6 g
30MTC	[1.34] 34	[1.73] 44	[1.38] 35	[0.35] 9	[0.16] 4	[1.74 oz] 49.3 g
40MTC	[1.77] 45	[1.73] 44	[1.34] 34	[0.35] 9	[0.16] 4	[1.79 oz] 50.8 g
50MTC	[2.20] 56	[1.46] 37	[1.00] 25.5	[0.59] 15	[0.24] 6	[1.40 oz] 39.6 g
60MTC	[2.64] 67	[1.63] 41.5	[1.06] 27	[0.59] 15	[0.24] 6	[1.83 oz] 51.8 g

Dimensions shown "mm [inch]"

MTC Holding Capacity @ -0.6 bar vacuum

Appl.	Vert. Lift	Horz. Dry	Horz. Wet
22MTC	[3.6] 16	[4.0] 18	[1.3] 6
30MTC	[4.9] 22	[6.7] 30	[2.9] 13
40MTC	[8.5] 38	[8.1] 36	[7.4] 33
50MTC	[11.9] 53	[12.4] 55	[11.7] 52
60MTC	[18.4] 82	[18.4] 82	[17.3] 77

Holding capacities shown "N [lbf]"

MTC Ordering Information

Metric

- Ø22mm CPI-22MTC-B-HT
- Ø30mm CPI-30MTC-B-HT
- Ø40mm CPI-40MTC-B-HT
- Ø50mm CPI-50MTC-B-HT
- Ø60mm CPI-60MTC-B-HT



Vacuum Cups

MFF Oval Flat Hot Forming Dimensions and Ordering Information



Specifications:

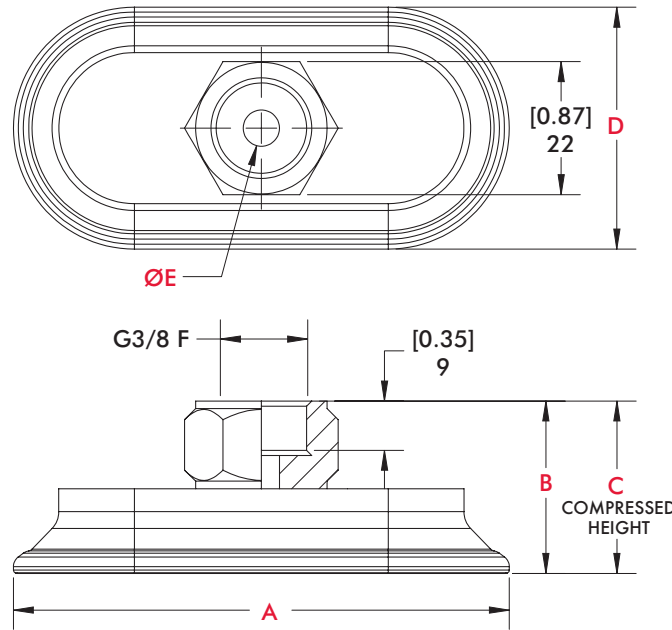
Temperature:

Resistant up to 250° C [482° F]
(sheet metal temperature)

Material: Silicone free HT2

Chemical Resistance:

Oil, water, grease, hydraulic fluid, alcohol



MFF Dimensions

Model	A	B	C	D	E	Weight
6023MFF	[2.52] 64	[1.02] 26	[0.91] 23	[0.98] 25	[0.24] 6	[1.57 oz] 44.6 g
9030MFF	[3.70] 94	[1.06] 27	[0.94] 24	[1.34] 34	[0.24] 6	[2.42 oz] 68.5 g
8040MFF	[3.35] 85	[1.10] 28	[0.94] 24	[1.69] 43	[0.24] 6	[2.30 oz] 65.1 g
10050MFF	[4.17] 106	[1.22] 31	[1.02] 26	[2.13] 54	[0.31] 8	[3.68 oz] 104.2 g

Dimensions shown "mm [inch]"

MFF Holding Capacity @ -0.6 bar vacuum

Appl.	Vert. Lift	Horz. Dry	Horz. Wet
6023MFF	[12.8] 57	[8.3] 37	[7.4] 33
9030MFF	[27.4] 122	[21.6] 96	[14.4] 64
8040MFF	[31.5] 140	[24.7] 110	[22.5] 100
10050MFF	[48.8] 217	[40.7] 181	[27.2] 121

Holding capacities shown "N [lbf]"

MFF Ordering Information

Metric

- Ø60x23mm CPI-6023MFF-B-HT
- Ø90x30mm CPI-9030MFF-B-HT
- Ø80x40mm CPI-8040MFF-B-HT
- Ø100x50mm CPI-10050MFF-B-HT

Vacuum Cups

MAC Oval Bellows Hot Forming Dimensions and Ordering Information



Specifications:

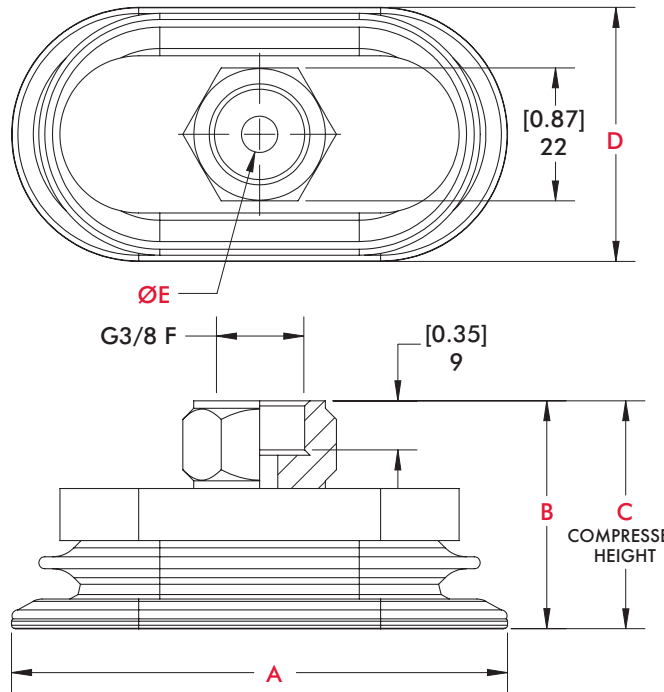
Temperature:

Resistant up to 250° C [482° F]
(sheet metal temperature)

Material: Silicone free HT2

Chemical Resistance:

Oil, water, grease, hydraulic fluid, alcohol



MAC Dimensions

Model	A	B	C	D	E	Weight
6030MAC	[2.48] 63	[1.38] 35	[1.10] 28	[1.30] 33	[0.24] 6	[2.32 oz] 65.9 g
8040MAC	[3.27] 83	[1.48] 37.7	[1.13] 28.7	[1.69] 43	[0.24] 6	[2.78 oz] 78.7 g

Dimensions shown "mm [inch]"

MAC Holding Capacity @ -0.6 bar vacuum

Model	Vert. Lift	Horz. Dry	Horz. Wet
6030MAC	[8.5] 38	[12.8] 57	[11.7] 52
8040MAC	[14.6] 65	[22.5] 100	[21.3] 95

Holding capacities shown "N [lbf]"

MAC Ordering Information

Metric

Ø60x30mm CPI-6030MAC-B-HT

Ø80x40mm CPI-8040MAC-B-HT



Vacuum Cups

VC-F Micro Series Round Flat Dimensions and Ordering Information

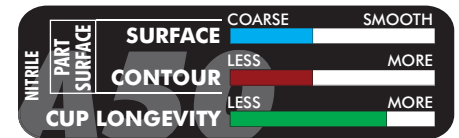
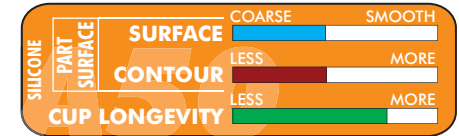
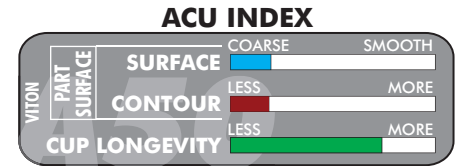
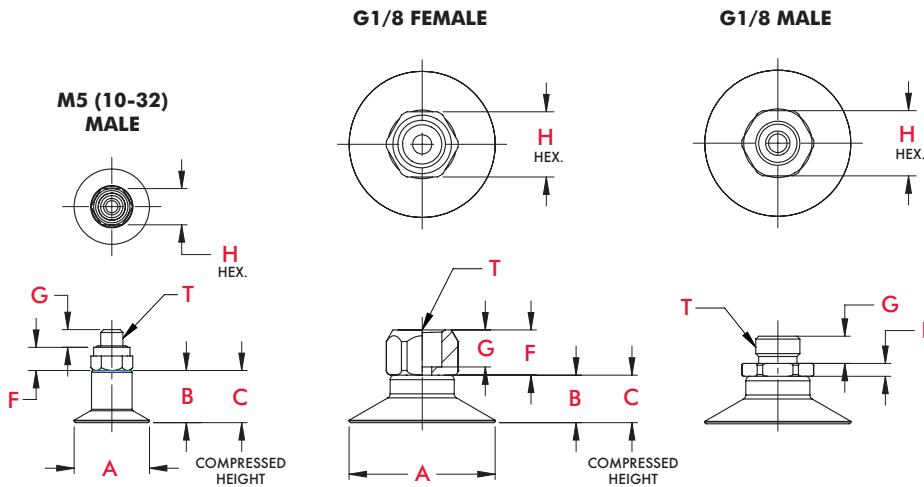


Applications:

- Relatively flat surfaces.
- Dry to moderate oily/slippery surfaces.
- Low Compression distances.
- Higher precision applications.

Specifications:

Material Operating Temperature:
 Viton: -40° to 450° F
 [-40° to 232° C]
 Silicone: -100° to 400° F
 [-73° to 204.4° C]
 Nitrile: -40° to 275° F
 [-40° to 135° C]
 Durometer: A50



VC-F Micro Fitting Threads

Thread (T)	(F)	(G)	(H)
10M (M5) (10-32 MALE)	5.1 [.20]	4.1 [.16]	7.9 [.31]
18M (G1/8) (MALE)	2.8 [.11]	5.8 [.23]	14.2 [.56]
18F (G1/8) (FEMALE)	9.9 [.39]	6.4 [.25]	14.2 [.56]

(DR) = Durometer/Material

- V** Viton Hi-Temp Applications where silicon is not allowed
- S** Silicon Extremely hot or cold environments
- N** Nitrile General Purpose

VC-F Dimensions

Model	A	B	C	CUP WT	LOAD
VC-F15	16.5 [.65]	11.4 [.45]	10.4 [.41]	3.4 g [.11 oz]	.85 kg [1.88 lb]
VC-F20	22.1 [.87]	8.6 [.34]	7.1 [.28]	7.8 g [.25 oz]	1.47 kg [3.25 lb]
VC-F30	32.0 [1.26]	10.4 [.41]	8.1 [.32]	6.2 g [.20 oz]	2.55 kg [5.63 lb]
VC-F40	42.2 [1.66]	14.0 [.55]	11.4 [.45]	11.8 g [.38 oz]	4.08 kg [9.00 lb]
VC-F50	53.1 [2.08]	17.5 [.69]	14.5 [.57]	19.6 g [.63 oz]	7.54 kg [16.6 lb]

VC-F Ordering Information

- Ø15mm VC-F15(DR)-(M)
- Ø20mm VC-F20((DR)-(M)
- Ø30mm VC-F30((DR)-(M)
- Ø40mm VC-F40((DR)-(M)
- Ø50mm VC-F50((DR)-(M)

(DR) = Durometer/Material

(M) = Mounts Available

- V** **S** **N**

- 10M** **18M** **18F**

Not Available in Ø15 and Ø20mm

Only Available in Ø15 and Ø20mm

Vacuum Cups

VC-B Micro Series Round Bellows Dimensions and Ordering Information

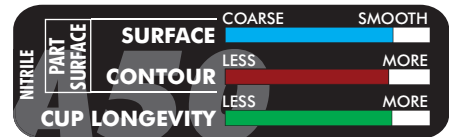
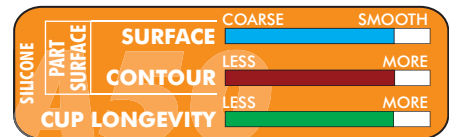
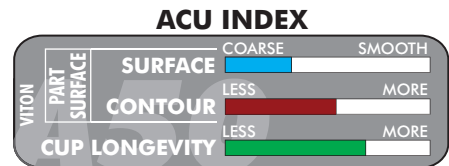
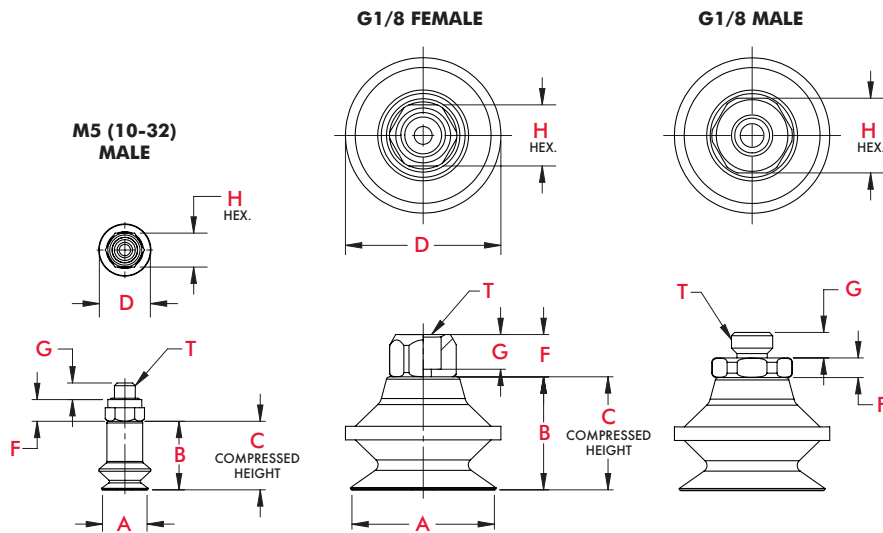


Applications:

- Moderately flat surfaces.
- Best performance on dry surfaces.
- Moderate compression distance.
- Bellows allows for minor misalignments.

Specifications:

Material Operating Temperature:
Viton: -40° to 450° F
 [-40° to 232° C]
Silicone: -100° to 400° F
 [-73° to 204.4° C]
Nitrile: -40° to 275° F
 [-40° to 135° C]
Durometer: A50



VC-B Micro Fitting Threads

Thread (T)	(F)	(G)	(H)
10M (M5) (10-32 MALE)	5.1 [.20]	4.1 [.16]	7.9 [.31]
18M (G1/8) (MALE)	2.8 [.11]	5.8 [.23]	14.2 [.56]
18F (G1/8) (FE- MALE)	9.9 [.39]	6.4 [.25]	14.2 [.56]

(DR) = Durometer/Material

- V** Viton Hi-Temp Applications where silicon is not allowed
- S** Silicon Extremely hot or cold environments
- N** Nitrile General Purpose

VC-B Dimensions

Model	A	B	C	D	Cup Wt	Load
VC-B05	5.6 [.22]	9.1 [.36]	7.6 [.30]	6.1 [.24]	5.8 g [.09 oz]	.04 kg [.10 lb]
VC-B10	10.9 [.43]	16.0 [.63]	11.4 [.45]	12.2 [.48]	3.4 g [.11 oz]	.39 kg [.87 lb]
VC-B15	16.0 [.63]	19.8 [.78]	13.2 [.52]	17.5 [.69]	3.7 g [.12 oz]	.57 kg [1.25 lb]
VC-B20	22.4 [.88]	17.5 [.69]	7.6 [.30]	23.9 [.94]	6.2 g [.20 oz]	1.02 kg [2.25 lb]
VC-B30	34.0 [1.34]	26.4 [1.04]	11.4 [.45]	36.3 [1.43]	11.5 g [.37 oz]	2.21 kg [4.88 lb]
VC-B40	42.9 [1.69]	27.4 [1.08]	12.4 [.49]	46.2 [1.82]	18.7 g [.60 oz]	3.97 kg [8.75 lb]
VC-B50	52.8 [2.08]	34.5 [1.36]	14.5 [.57]	59.4 [2.34]	30.5 g [.98 oz]	6.63 kg [14.6 lb]

VC-B Ordering Information

- Ø05mm VC-B05(DR)-(M)
- Ø10mm VC-B10(DR)-(M)
- Ø15mm VC-B15(DR)-(M)
- Ø20mm VC-B20(DR)-(M)
- Ø30mm VC-B30(DR)-(M)
- Ø40mm VC-B40(DR)-(M)
- Ø50mm VC-B50(DR)-(M)

(DR) = Durometer/Material

(M) = Mounts Available

- V** **S** **N**

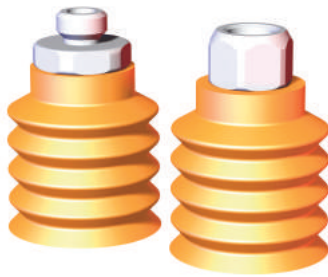
- 10M** **18M** **18F**

Only Available in
 Ø5, Ø10, Ø15, Ø20mm



Vacuum Cups

VC-BM Micro Series Round Multi-Bellows Dimensions and Ordering Information



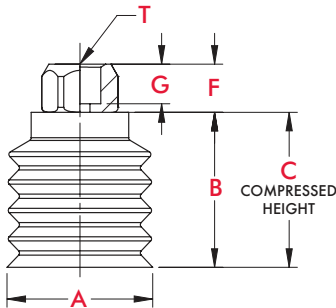
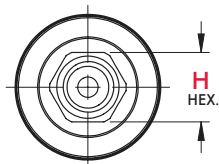
Applications:

- Angled/curved/bumpy surfaces.
- Best performance on dry surfaces.
- Higher compression distance. (Reach in Box)
- Bellows allow for minor
- Provides Partial extraction.

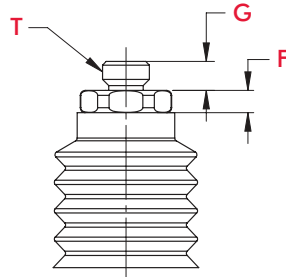
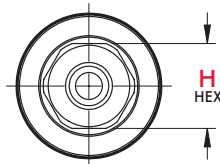
Specifications:

Material Operating Temperature:
Viton: -40° to 450° F
 [-40° to 232° C]
Silicone: -100° to 400° F
 [-73° to 204.4° C]
Nitrile: -40° to 275° F
 [-40° to 135° C]
Durometer: A50

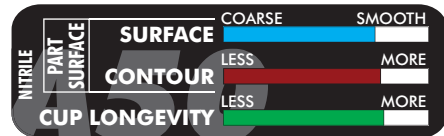
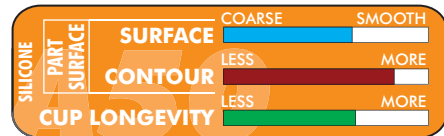
G1/8 FEMALE



G1/8 MALE



ACU INDEX



(DR) = Durometer/Material

- V** Viton Hi-Temp Applications where silicon is not allowed
- S** Silicone Extremely hot or cold environments
- N** Nitrile General Purpose

VC-BM Micro Fitting Threads

Thread (T)	(F)	(G)	(H)
10M (M5) (10-32 MALE)	5.1 [.20]	4.1 [.16]	7.9 [.31]
18M (G1/8) (MALE)	2.8 [.11]	5.8 [.23]	14.2 [.56]
18F (G1/8) (FEMALE)	9.9 [.39]	6.4 [.25]	14.2 [.56]

VC-BM Dimensions

Model	A	B	C	Cup Wt	Load
VC-BM20	20.1 [.79]	21.9 [.86]	8.9 [.35]	5.3 g [17 oz]	.68 kg [1.50 lb]
VC-BM30	30.0 [1.18]	30.7 [1.21]	10.7 [.42]	10.3 g [.33 oz]	1.64 kg [3.63 lb]
VC-BM40	39.8 [1.57]	40.9 [1.61]	12.9 [.51]	19.6 g [.63 oz]	2.21 kg [4.88 lb]
VC-BM50	50.0 [1.97]	51.1 [2.01]	23.1 [.91]	32.7 g [1.05 oz]	4.37 kg [9.63 lb]

VC-BM Ordering Information

- Ø20mm VC-BM20(DR)-(M)
- Ø30mm VC-BM30(DR)-(M)
- Ø40mm VC-BM40(DR)-(M)
- Ø50mm VC-BM50(DR)-(M)

(DR) = Durometer/Material (M) = Mounts Available
~~S~~ ~~N~~ **10M 18M 18F**

Only Available in Ø20mm

Pneumatic Part Handling Magnets

TPLP Mag-Lift Part Lifting Magnets

Features:

- Provides instantaneous pick up and release without electricity.
- Maintains positive hold, even if air pressure is lost.
- Supplied with urethane pad which softens the impact of the magnet and avoids marring or damage to delicate surfaces.

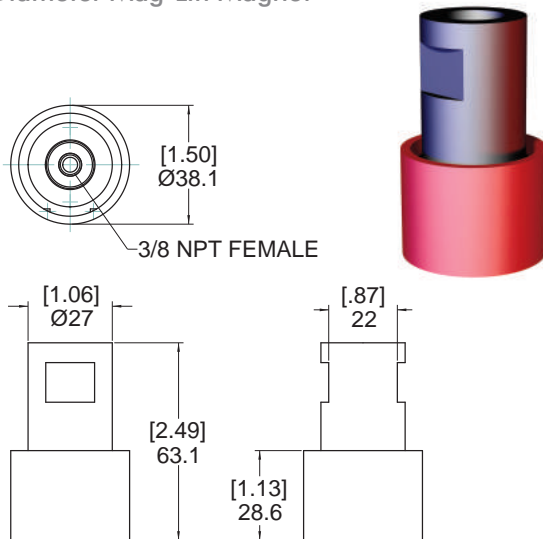
Benefits:

- NPT mount allows retrofit to existing assemblies.

Specifications:

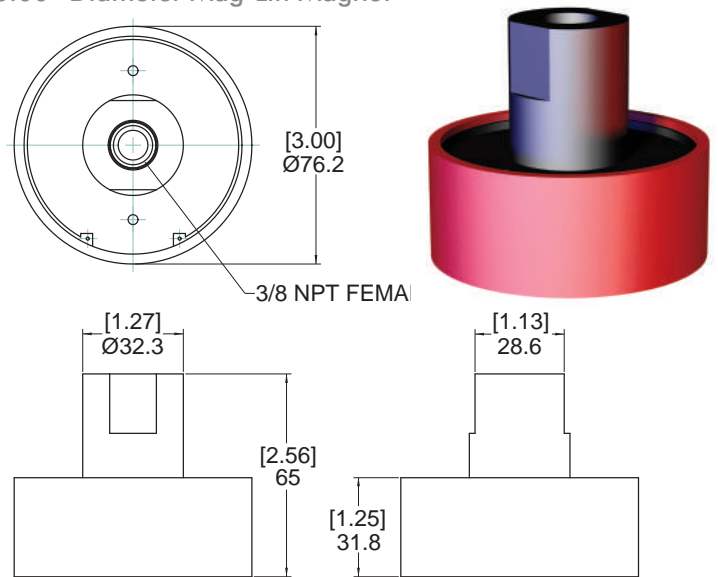
Recommended Operating Pressure: 2.4 bar [35 psi]
Port: 3/8" NPT Compressed Air Port
Material: Machined, Anodized Aluminum, Urethane Pad (50 durometer - low skid)

1.50" Diameter Mag-Lift Magnet



Model	Pad Only
CPI-TPLP15RB	RB15-CPI

3.00" Diameter Mag-Lift Magnet



Model	Pad Only
CPI-TPLP50373	RB30-CPI

Note: The minimum air pressure required for the Mag-Lift to release parts is 25 psi. The suggested air pressure for normal operation is 35 psi. If part do not release immediately, increase the air pressure in 5 psi increments until the part releases. Do not exceed 60 psi. Air pressure should be measured at the inlet of the Mag-Lift to ensure effective operation.

TPLP 1.50" Diameter Mag-Lift Magnet - CPI-TPLP15RB - Capacities

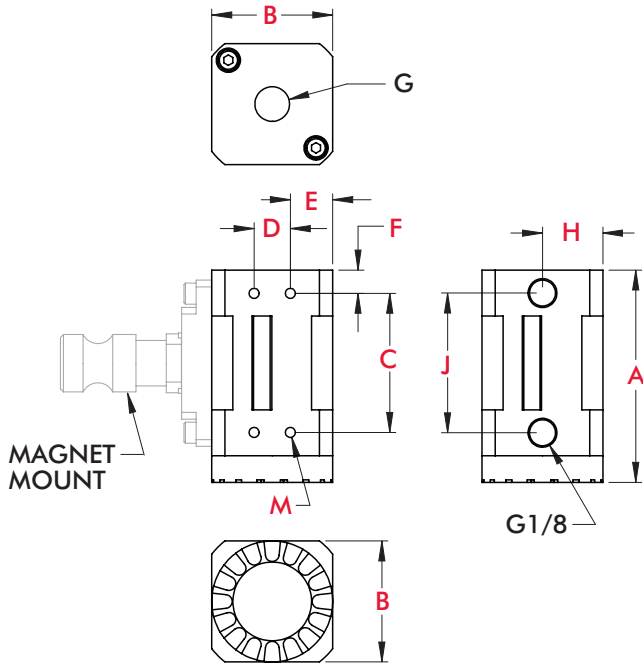
Gage Of Steel (Ferrous Only)	28 GA (0.009")	26 GA (0.018")	22 GA (0.030")	16 GA (0.050")	12 GA (0.100")	3/16" (0.187")	Weight
With Pad	1.6 kg [3.5 lb]	2.0 kg [4.5 lb]	2.5 kg [5.5 lb]	2.3 kg [5.0 lb]	2.3 kg [5.0 lb]	2.0 kg [4.5 lb]	136g [5 oz]
Without Pad	2.5 kg [5.5 lb]	2.7 kg [6.0 lb]	3.6 kg [8.0 lb]	4.1 kg [9.0 lb]	4.1 kg [9.0 lb]	4.3 kg [9.5 lb]	136g [5 oz]

TPLP 3.00" Diameter Mag-Lift Magnet - CPI-TPLP50373 - Capacities

Gage Of Steel (Ferrous Only)	28 GA (0.009")	26 GA (0.018")	22 GA (0.030")	16 GA (0.050")	12 GA (0.100")	3/16" (0.187")	Weight
With Pad	1.6 kg [3.5 lb]	3.4 kg [7.5 lb]	5.4 kg [12.0 lb]	5.4 kg [12.0 lb]	5.7 kg [12.5 lb]	5.7 kg [12.5 lb]	363g [13 oz]
Without Pad	2.5 kg [5.5 lb]	5.4 kg [12.0 lb]	8.8 kg [19.5 lb]	15.4 kg [34.0 lb]	16.1 kg [35.5 lb]	16.1 kg [35.5 lb]	363g [13 oz]

Note: Capacity values are stated at approximately 30% of the maximum holding value. Use this value for determining the quantity of Mag-Lift magnets required for an application.

Pneumatic Part Handling Magnets
MAG Magnetic Grippers

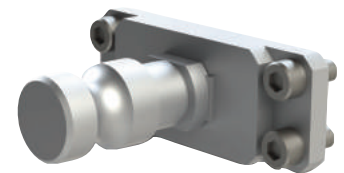
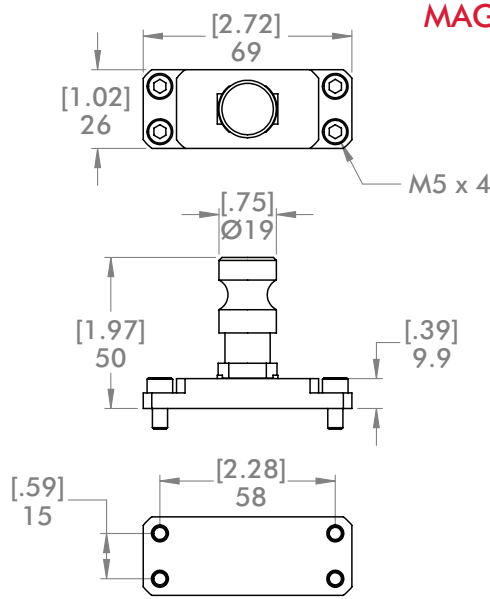
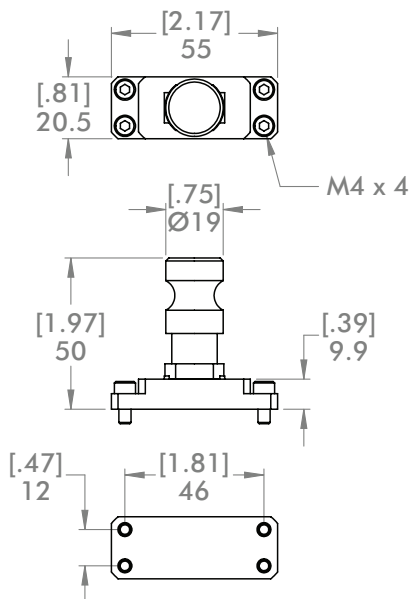


Specifications	MAG-30	MAG-40	MAG-50	MAG-70
Max holding Power $\geq 0.8\text{mm}$ metal Plate	[5.6] 25	[14.6] 65	[21.4] 95	[33.7] 150
Max holding Power $\geq 1.0\text{mm}$ metal Plate	[6.7] 30	[18.0] 80	[27.0] 120	[44.0] 200
Max holding Power $\geq 2.0\text{mm}$ metal Plate	[7.9] 35	[22.5] 100	[40.5] 180	[65.2] 290
Residual holding force	$\leq 0,3\text{N}$ [$\leq 0.07\text{lbf}$]			
Ideal operating pressure	3,5 – 6,0bar [50.8-87psi]			
Operating temperature	5 ... 70°C[41...158°F]			

MAG Magnetic Grippers Dimensions

Model	A	B	C	D	E	F	G	H	M	Weight
CPI-MAG-30M	[2.76] 70.2	[1.16] 29.5	[1.81] 46	[.47] 12	[.34] 8.8	[.30] 7.7	G1/8	[.58] 14.8	M4 X 4	[4.6 oz] 130g
CPI-MAG-40M		[1.57] 40			[.55] 14			[.79] 20		[8.5 oz] 240g
CPI-MAG-50M	[3.16] 80.2	[1.97] 50	[2.28] 58	[.59] 15	[.69] 17.5	[.26] 6.7	G1/4	[.98] 25	M5 X 4	[15.2 oz] 440g
CPI-MAG-70M		[2.68] 68			[1.04] 26.4			[1.34] 34		[25.2 oz] 715g

MAG Magnetic Gripper Mount



Model	Weight
CPI-MAG3040M-A	59.1g [.13 lb]

Model	Weight
CPI-MAG5070M-A	80.8g [.18 lb]

Venturi and Spring Cup Mounts Features and Specifications

The ARV® Series

**Auto-Release Venturi Cup Mount
Requiring (1) air line, (1) valve:**

Offers integrated automatic quick panel release and exhaust silencer in one part. Mounting options include right or left hand apple core mounting or no apple core mount for use with DE-STA-CO's spring cup mounts.

The ARV® Series is also available in a block style for remote mounting and each mount can be ordered with Imperial or Metric ports.



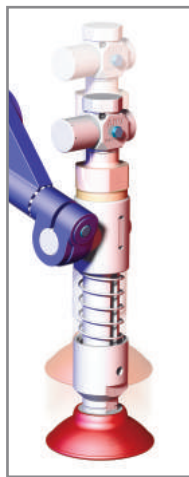
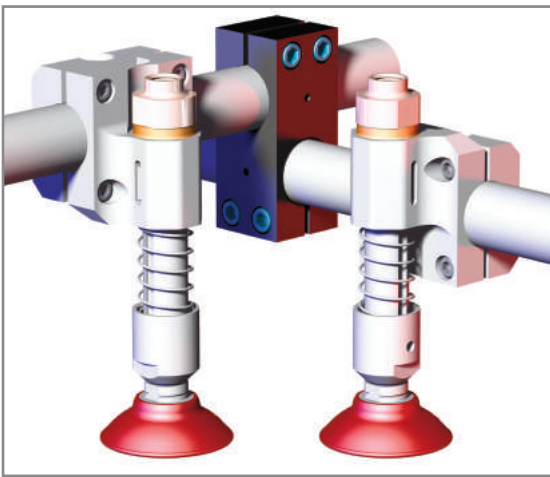
US PAT No: 7,540,309



The VSA Series Venturi Cup Mount

Blow-off typically requires two air lines and multiple valves. The VSA series offers a low-profile version as shown. Additional options includes silencer and sensor port options. Mounting threads can also be ordered in Imperial or Metric ports.

DE-STA-CO also offers PA Series cup mounts



Spring-Loaded Cup Mounts

Available both as a standard version and extended travel version. Both versions offer several mounting options and three different travel lengths.

DE-STA-CO spring-loaded cup mounts are designed to be used with ARV and our complete line of vacuum cups to offer a total vacuum system solution.

Venturi Cup Mount Specifications

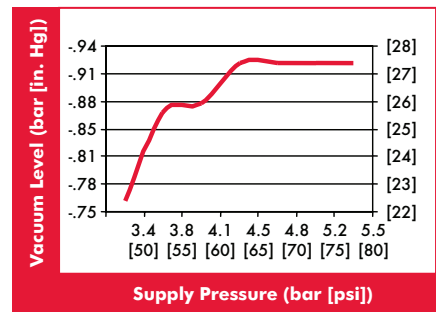
ARV® Series Vacuum Generators:

- Specifications @ 4 bar [60psi]:
- Speed to Vacuum: 0.2-0.3 seconds
- Speed to Release: 0.02 seconds
- Air Consumption:
- Vacuum: 40 l/m [1.4 scfm]
- Blow-off: 0
- Noise Level (At one meter): 68dBA
- Material: Aluminum

VSA Series Vacuum Generators:

- Specifications @ 4 bar [60psi]:
- Speed to Vacuum: .36 seconds
- Speed to Release: 0.08 seconds
- Air Consumption:
- Vacuum: 40 l/m [1.4 scfm]
- Blow-off: 2.6 liters [0.09 ft³]
(156 l/m [5.5scfm] @ 1 sec. duration)
- Noise Level (At one meter):
- Inline to exhaust: 76dBA
- Inline to exhaust with Silencer: 68dBA
- Material: Aluminum

ARV® and VSA Performance:





Venturi Style Vacuum Generator Cup Mounts
ARV® Auto-Release-Venturi Dimensions and Ordering Information



Left Hand Apple Core
 CPI-VSA-ARVL-750-(X)



Right Hand Apple Core
 CPI-VSA-ARVR-750-(X)



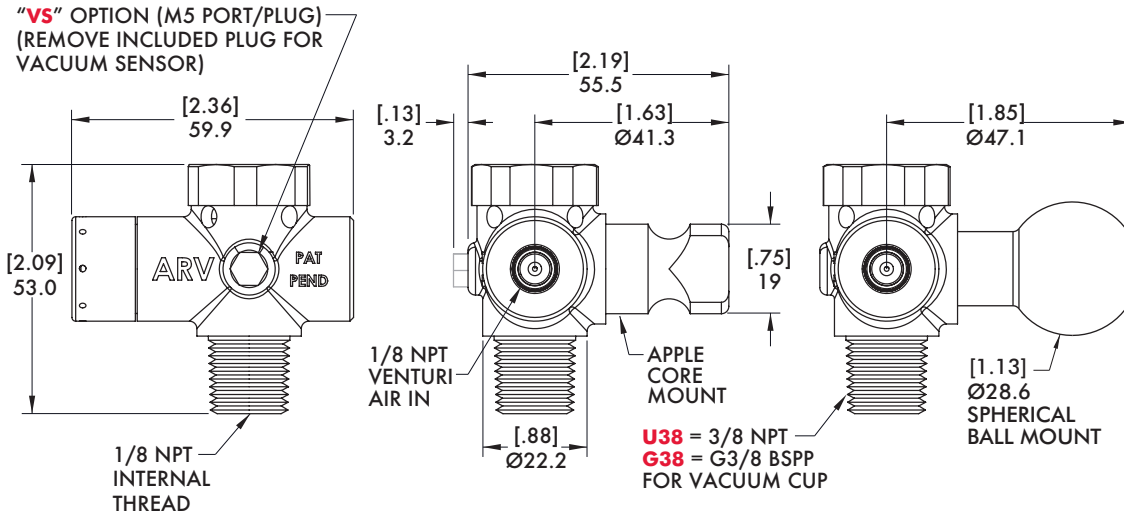
Without Apple Core
 CPI-VSA-ARVR-000-(X)



RH/LH Spherical Ball
 CPI-VSA-ARV(R/L)-B112-(X)



(X)
 Mounting
 Thread
 U38 = 3/8" NPT Male
 G38 = 3/8" G Male

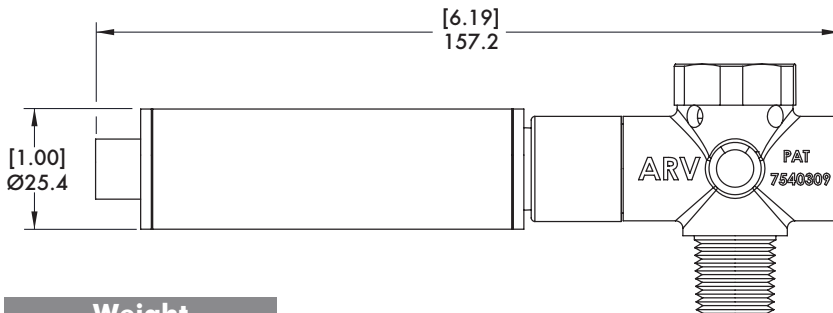


Vacuum Sensor
 Option
 Add "-VS" to end of "ARV" order code

Weight
 114g [4 oz.]

US PAT No: 7,540,309 - 7,681,603 - 7,950,422

ARV® Multiflow Apple Core Style



Weight
 159g [5.6 oz.]



Apple Core Style Mounting
 CPI-VSA-ARVR-750-(X)-(V)

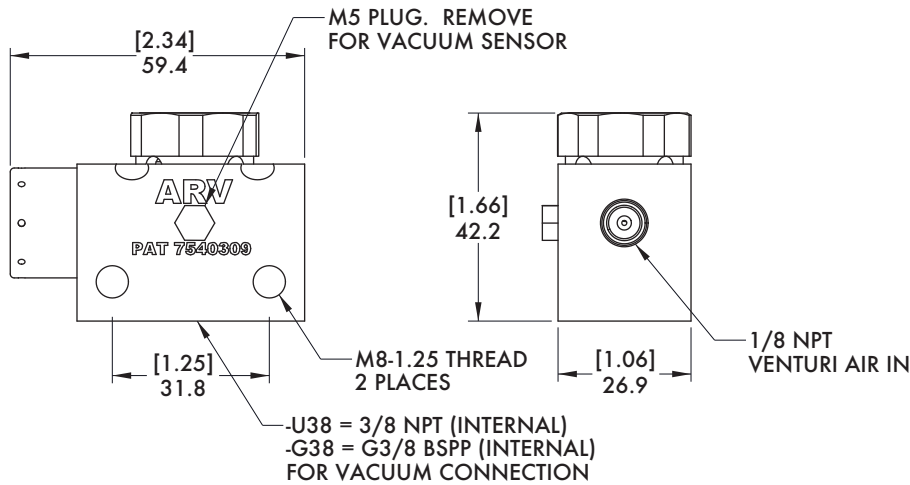
(X) = Mounting Thread (U38) 3/8" NPT Male or (G38) = 3/8" G Male
 (V) = Vacuum Flow Option (MF) Medium Flow or (HF) High Flow
 For Vacuum Sensor Option Add "-VS" to end of "ARV" order code

ARV® Technical Comparison

ARV® Models/Options	Vacuum Level @ 60 psi	Vacuum Flow @ 60 psi	Air Consumption @ 60 psi
Standard ARV®	26.5 in Hg	1.00 s.c.f.m.	1.40 s.c.f.m.
Medium-flow ARV® (MF)	18.61 in Hg	2.80 s.c.f.m.	2.71 s.c.f.m.
High-flow ARV® (HF)	15.78 in Hg	4.20 s.c.f.m.	4.28 s.c.f.m.

Venturi Style Vacuum Generator Cup Mounts

ARV® Block Style Dimensions and Ordering Information

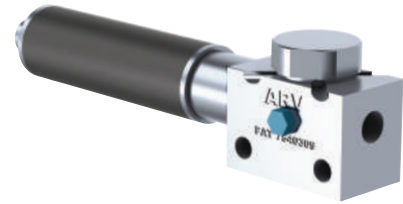
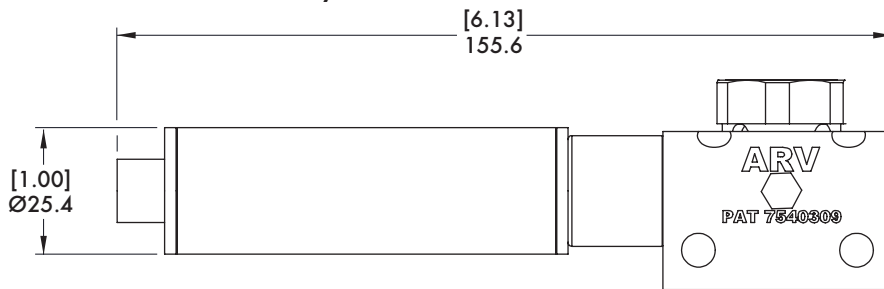


Block Style
 CPI-VSA-ARVR-312-(X)
 (X) = Vacuum Port Thread
 U38 = 3/8" NPT Female
 G38 = 3/8" G Female

Weight
 107g [4 oz.]

US PAT No: 7,540,309 - 7,681,603 - 7,950,422

ARV® MultiFlow Block Style



Block Style (Remote) Mounting
 CPI-VSA-ARVR-312-(X)-(V)

Weight
 154g [5.6 oz.]

(X) = Mounting Thread

(U38) 3/8" NPT Male or (G38) = 3/8" G Male

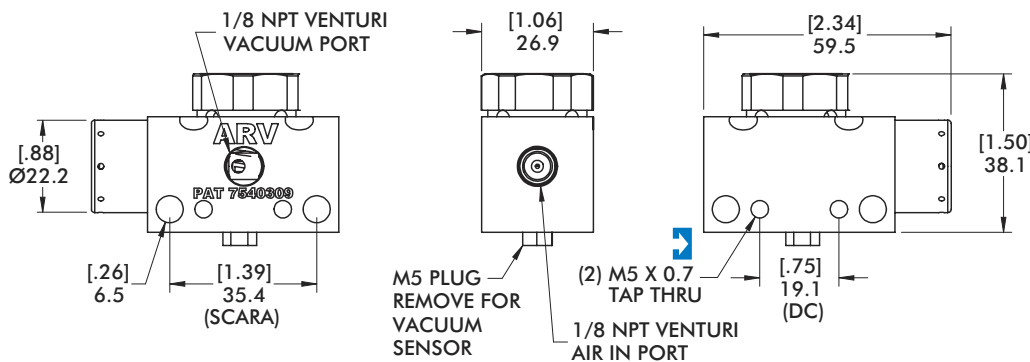
(V) = Vacuum Flow Option

(MF) Medium Flow or (HF) High Flow

For Vacuum Sensor Option

Add "-VS" to end of "ARV" order code

ARV® SCARA Mount Block Style



SCARA Block Style
 CPI-VSA-ARVS-5-U18
 Also compatible with

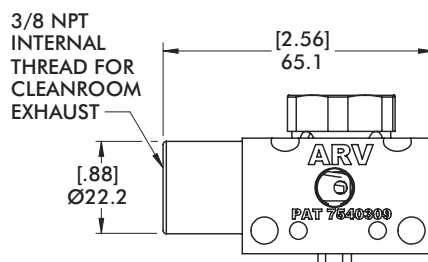
Robohand
DIRECTCONNECT

Weight
 97.9g [3 oz.]

ARV® Stainless Steel SCARA Mount Block Style



Rated for Class 4 environment
 as per ISO 14644-1



Stainless Steel SCARA
 CPI-VSA-ARVS-5-U18-SS

Weight
 260.8g [9.2 oz.]



Venturi Style Vacuum Generator Cup Mounts
VSA Low-Profile 750/19 Series Apple-Core with Blow-Off

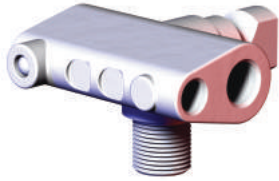


Features:

- Low profile construction.
- Integrated blow-off.
- Optional vacuum sensing port.
- Optional exhaust silencer.
- Imperial or Metric ports.

Benefits:

- Lower tool profile to fit in smaller spaces.
- Quick release of panels.
- Vacuum level or part present sensing.
- Quiet operation.



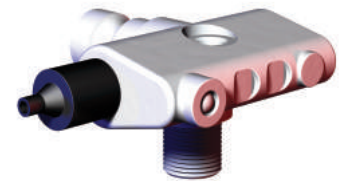
Low-Profile 750/19
 w/Blow Off No Options
CPI-VSA-(X)-BO-LP



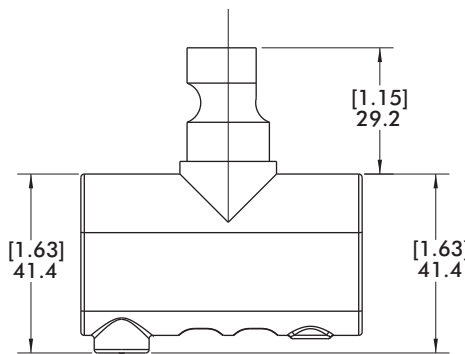
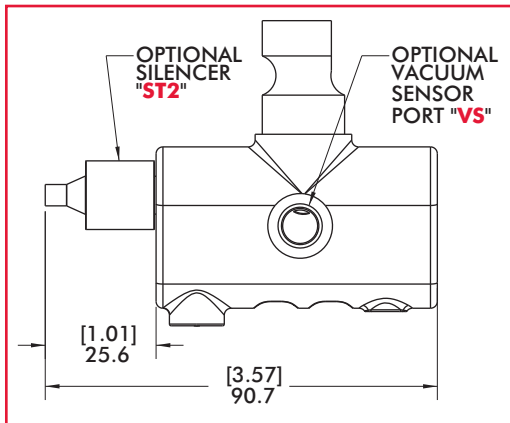
Low-Profile 750/19 with
 Blow Off with Detector Option
CPI-VSA-(X)-BO-LP-DET



Low-Profile 750/19 with
 Blow Off with "VS" Option
CPI-VSA-(X)-BO-LP-VS

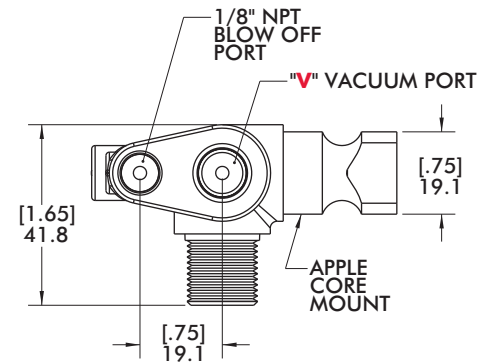
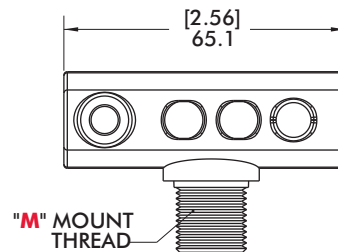
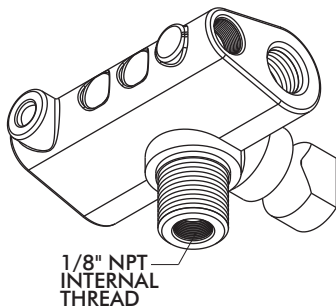


For Silencer Option;
 add "ST2" to the end
 of order code (as shown).
CPI-VSA-(X)-BO-LP-VS-ST2



VS/DET Thread
 DET = M5
 VS = 1/8 NPT

Weight
 170g [6 oz.]



Low Profile 750/19 Series w/blow-off - **CPI-VSA-(X)-BO-LP**

Version	Mount Thread "M"	Vacuum Port "V"	(X)
Metric	3/8" G Male	1/4" G	19
Imperial	3/8" NPT Male	1/4" NPT	750

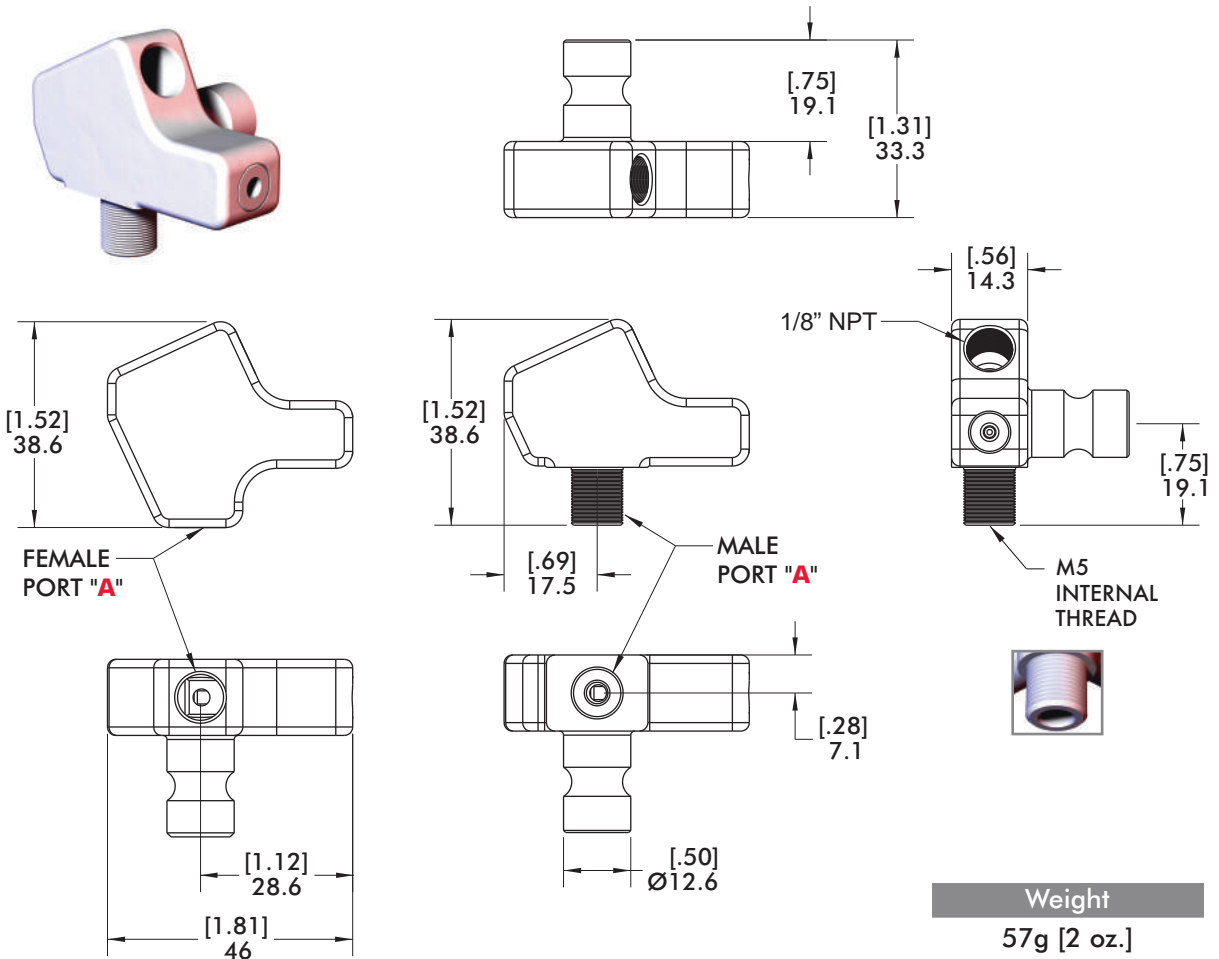
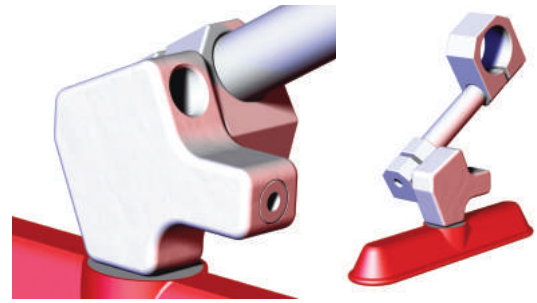
Venturi Style Vacuum Generator Cup Mounts
VSA 500 Series MicroTool Apple Core

Features:



- MicroTool sized venturi.
- 1/8 NPT/1/8 G Ports.

Benefits:

- Small and lightweight.
- Convenient mounts for most small vacuum cups.

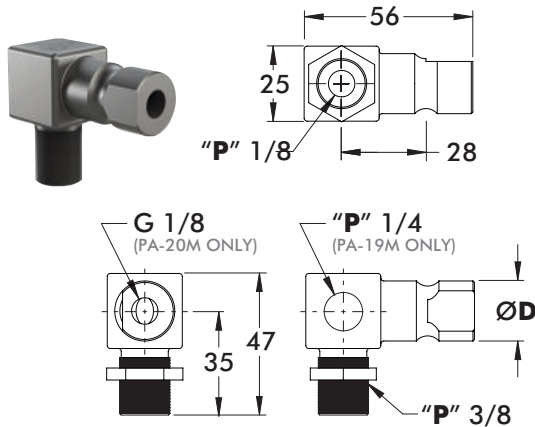


500 Series Venturi MicroTool - CPI-VSA-500-"A"

Description	Port A
 Female 1/8" NPT to Female 1/8" NPT	F18
 Female 1/8" NPT to Male 1/8" NPT	M18



Apple Core Mount

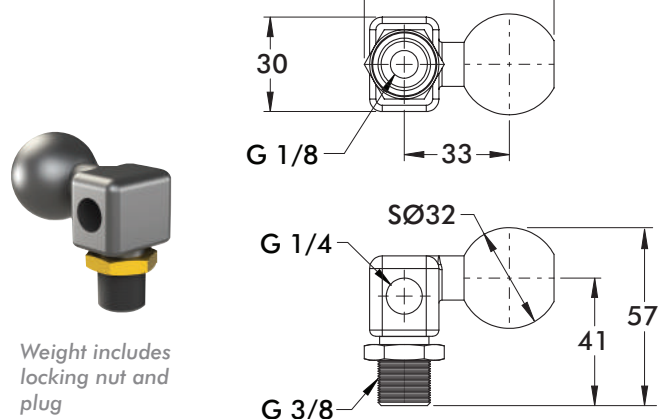


Material: Aluminum
Load: 150Nm

Model Number	ØD	P	Weight
PA-20M	20	G	76g [0.17 lb]
PA-19M-EU	19	G	
PA-19M-NA	19	NPT	

PA Accelerate Port Only Adaptors

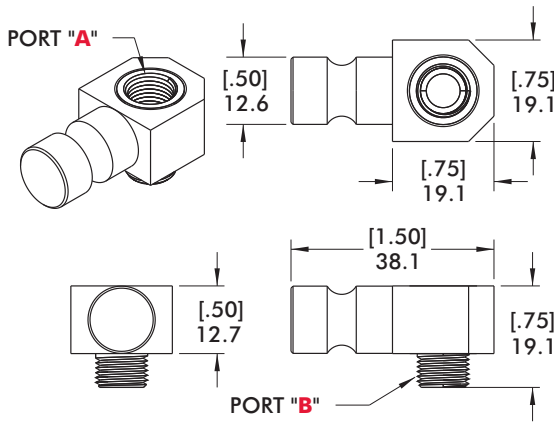
32mm Ball Mount



Material: Aluminum
Load: 150Nm

Model Number	Weight
PA-32M-B	96g [0.21 lb]

PA 500 Series MicroTool Apple Core

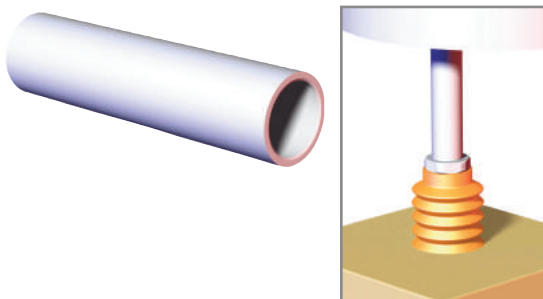


CPI-PA-500-"A"-"B" Ordering Information

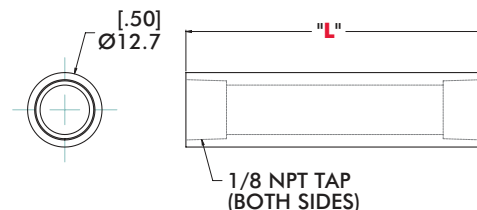
Description	A	B
Female 1/8" NPT/Female 1/8" NPT	F18	F18
Female 1/8" G/Female 1/8" G	FG18	FG18
Female M5/Female M5	FM5	FM5
Female 1/8" NPT/Male 1/8" NPT	F18	M18
Female 1/8" G/Male 1/8" G	FG18	MG18
Female M5/Male M5	FM5	MM5

Weight
23 g [0.8 oz.]

PAT 1/8 NPT Vacuum Extension

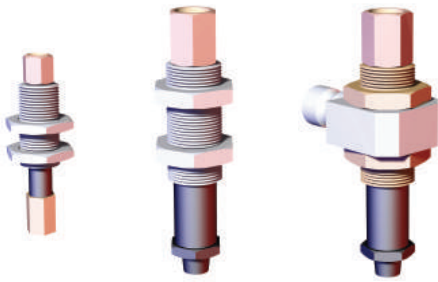


"L"
Standard Lengths
02 = 2.00"
03 = 3.00"
04 = 4.00"
05 = 5.00"
06 = 6.00"



Model Number	Weight
CPI-PAT-50T-"L"-U18	[0.13 lb/ft] 193.0 g/m

Spring-Loaded Cup Mounts
LC Bulk Head Style Micro Series Level Compensators



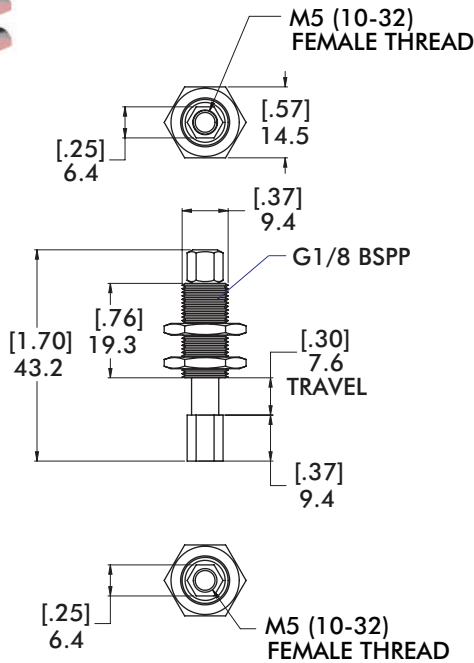
Specifications:
 Material: Aluminum

Features:

- M5 or G mounting threads and vacuum ports.



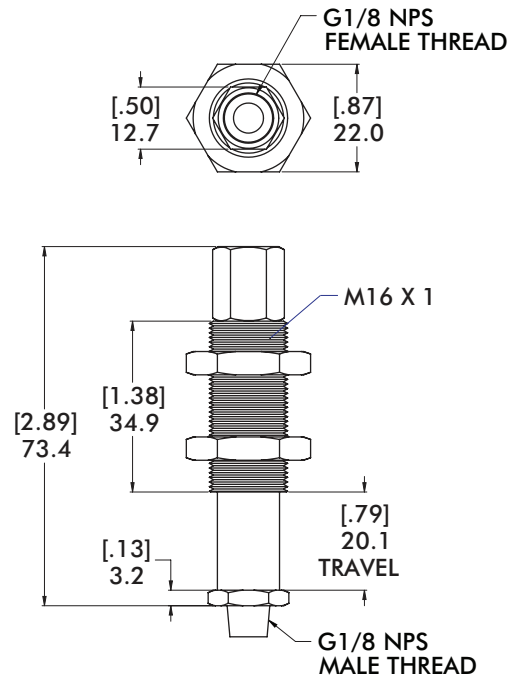
0.30" TRAVEL
 ORDERING INFORMATION
CPI-LC10



Weight
 5.7 g [0.2 oz.]



0.75" TRAVEL
 ORDERING INFORMATION
CPI-LC18



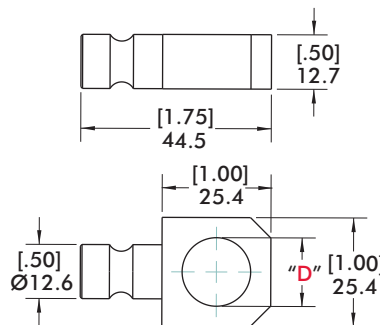
Weight
 28.3 g [1.0 oz.]

LCM Series Mount



CPI-LCM-10-"D"

Weight
 23 g [0.8 oz.]



"D" = (Ø) Diameter
 16 = Ø16mm [.63"]
 10 = Ø10mm [.39"]



Spring-Loaded Cup Mounts

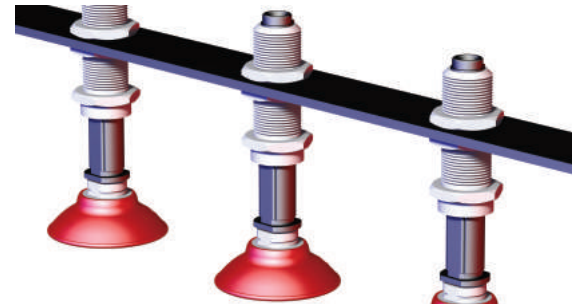
RCM Bulkhead Style Standard Travel Dimensions and Ordering Information

Features:

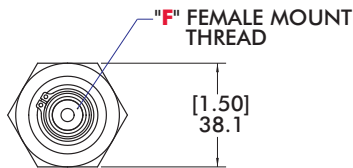
- Available in three different travel lengths.
- NPT or G mounting threads and vacuum ports.

Specifications:

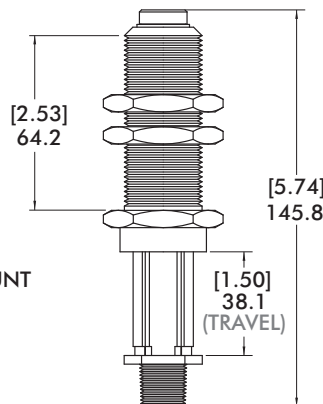
Material: Aluminum



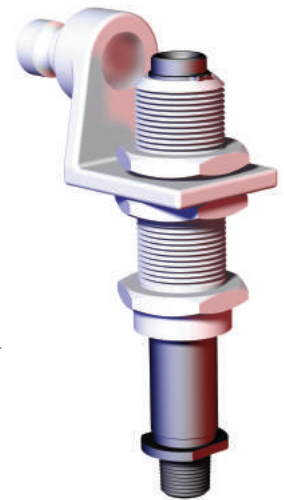
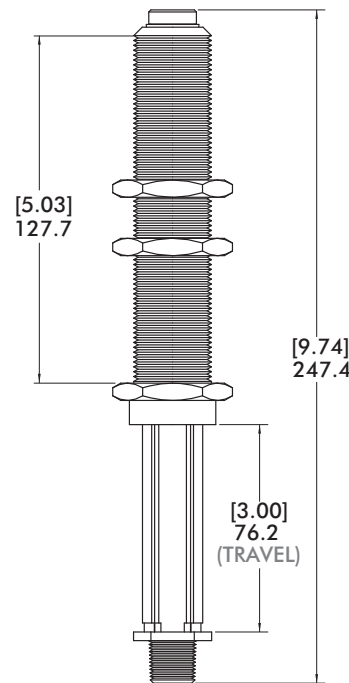
0.75" TRAVEL
ORDERING INFORMATION
CPI-RCM-30



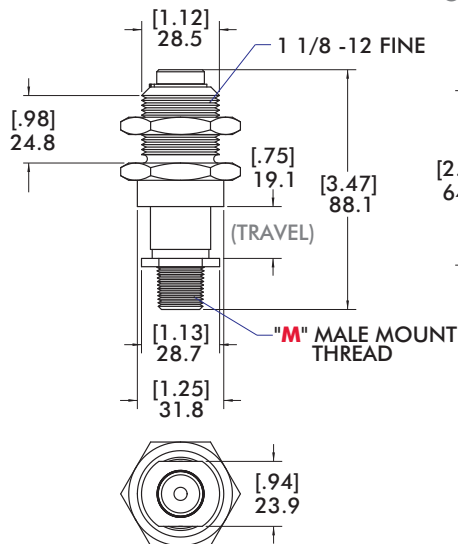
1.50" TRAVEL
ORDERING INFORMATION
CPI-RCM-150-U14-NR



3.00" TRAVEL
ORDERING INFORMATION
CPI-RCM-300-U14-NR



CPI-RCM-150-U14-NR
Shown with CPI-SAP-30



Bulkhead Mount - CPI-RCM-XXX

Version	Mount Thread M	Vacuum Port F
Imperial	3/8" NPT Female	1/4" NPT

Weight
.75" Travel = 142g [5 oz]
1.50" Travel = 227g [8 oz]
3.00" Travel = 340g [12 oz]

Additional smaller sized spring-loaded cup Mount available upon request.
Please contact DE-STA-CO Customer Service for more information.

Spring-Loaded Cup Mounts

SCM Apple-Core Style Standard Travel Dimensions and Ordering Informations

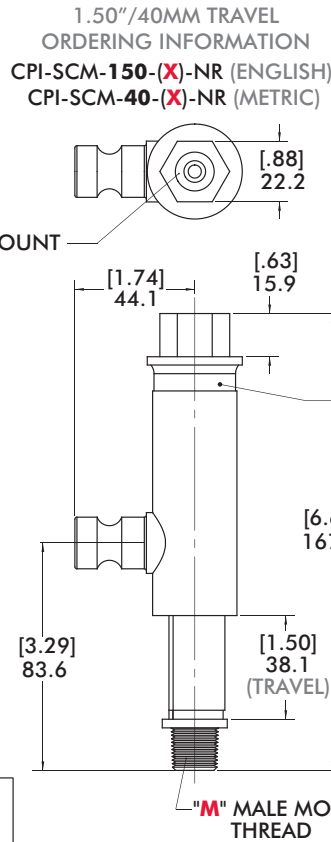
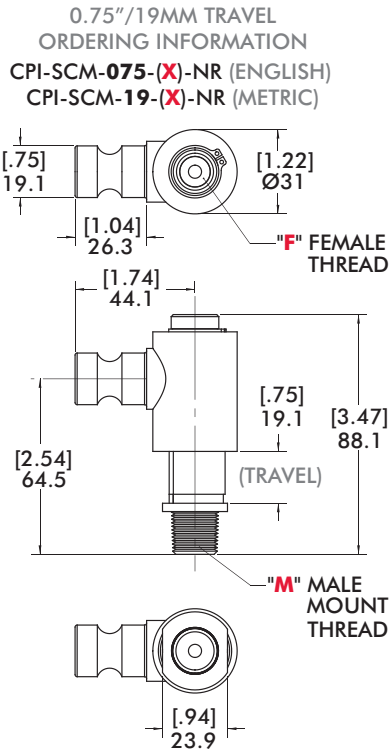
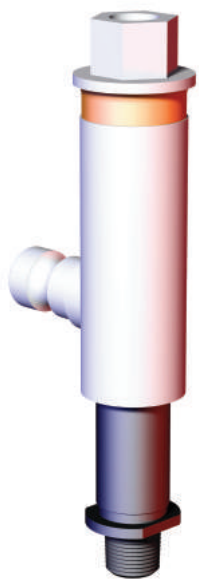


Specifications:

Material: Aluminum
Urethane Bumper
 used on 1.50"/40mm and 3.00"/75mm travel.

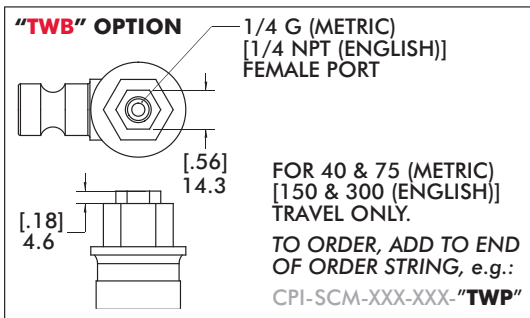
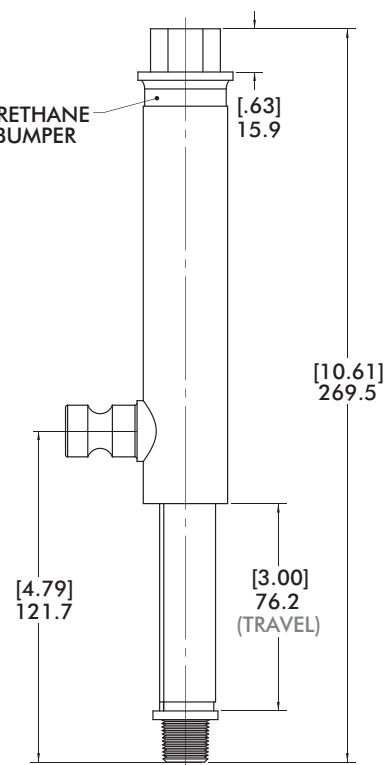
Features:

- Available in three different travel lengths.
- Apple core .75" [19mm] mounting for adjustment along on axis.
- NPT or G mounting threads and vacuum ports.



Weight	
.75" 19mm Travel	= 142g [5 oz]
1.50"/40mm Travel	= 227g [8 oz]
3.00"/75mm Travel	= 340g [12 oz]

3.00"/75MM TRAVEL ORDERING INFORMATION
 CPI-SCM-300-(X)-NR (ENGLISH)
 CPI-SCM-75-(X)-NR (METRIC)



(NR = NON ROTATING)

CPI-SCM-(19/075)-(X)-NR Ports

Version	M	F	(X)
Metric	3/8" G	1/4" G	G14
Imperial	3/8" NPT	1/4" NPT	U14

CPI-SCM-(40/150 & 75/300)-(X)-NR Ports

Version	M	F	(X)
Metric	3/8" G	3/8" G	G14
Imperial	3/8" NPT	3/8" NPT	U14



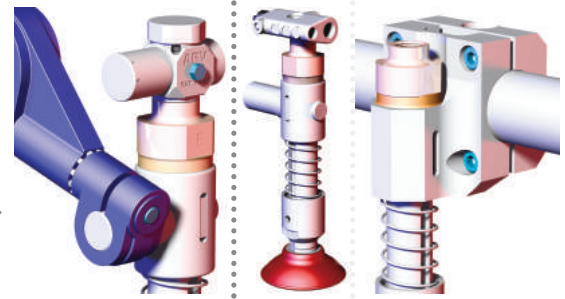
Spring-Loaded Cup Mounts
SCM Extended Travel Features and Options

Features:

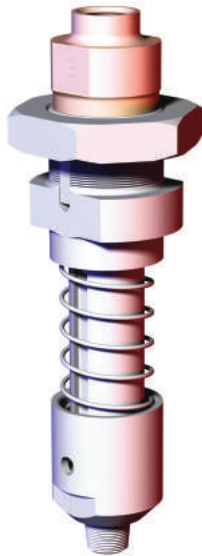
- Four mounting options.
- Three travel lengths.
- NPT or G mounting threads and vacuum ports.
- Urethane shock absorber.
- Teflon coated shaft.
- Fully modular construction.

Benefits:

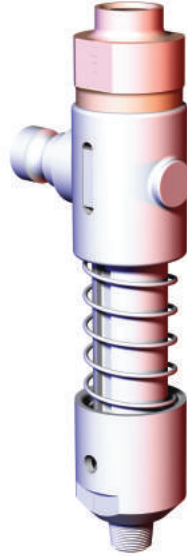
- Urethane shock absorber reduces "pick-up" shock.
- Extensive use of polymers reduce weight and cost.
- Extended travel cup mounts can be reconfigured or rebuilt.
- Smooth operation, reduced wear.



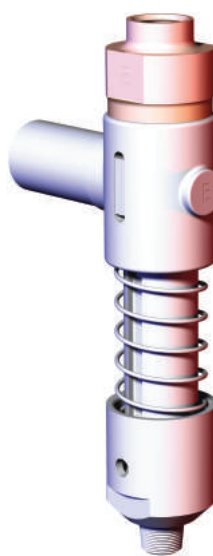
Ø1.25" Bulkhead Style
CPI-SCM(B)-"T"



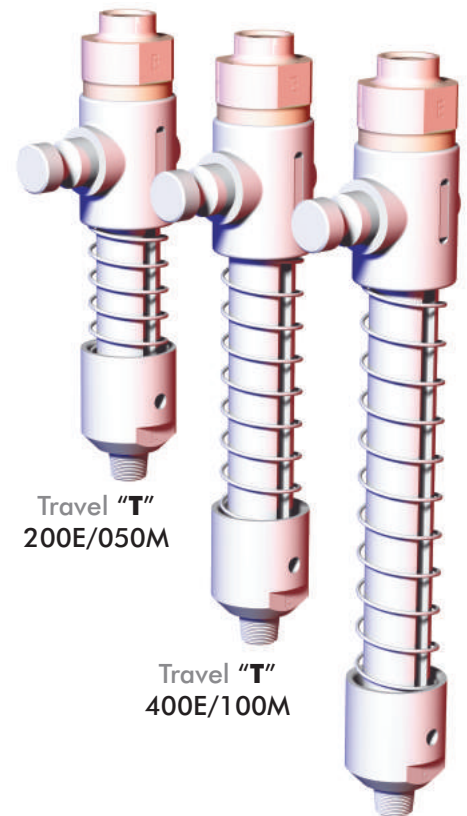
Ø0.75" Apple Core Style
CPI-SCM(A)-"T"



Ø1.00"/25MM
Extension Style
CPI-SCM(10/25)-"T"



Travel Length CPI-SCM(X)-"T"

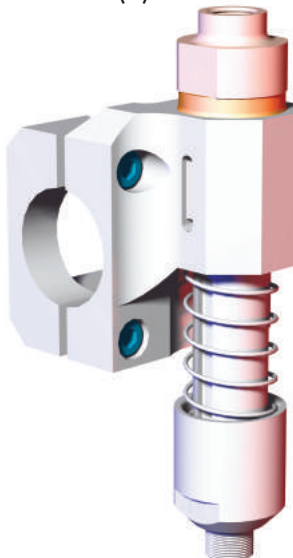


Travel "T"
200E/050M

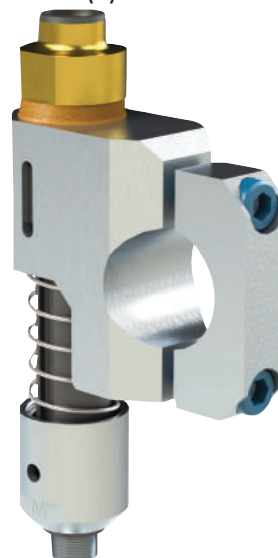
Travel "T"
400E/100M

Travel "T"
600E/150M

Ø1.50"/40MM
Tube Mount
CPI-SCM(C)-"D"- "T"- "O"

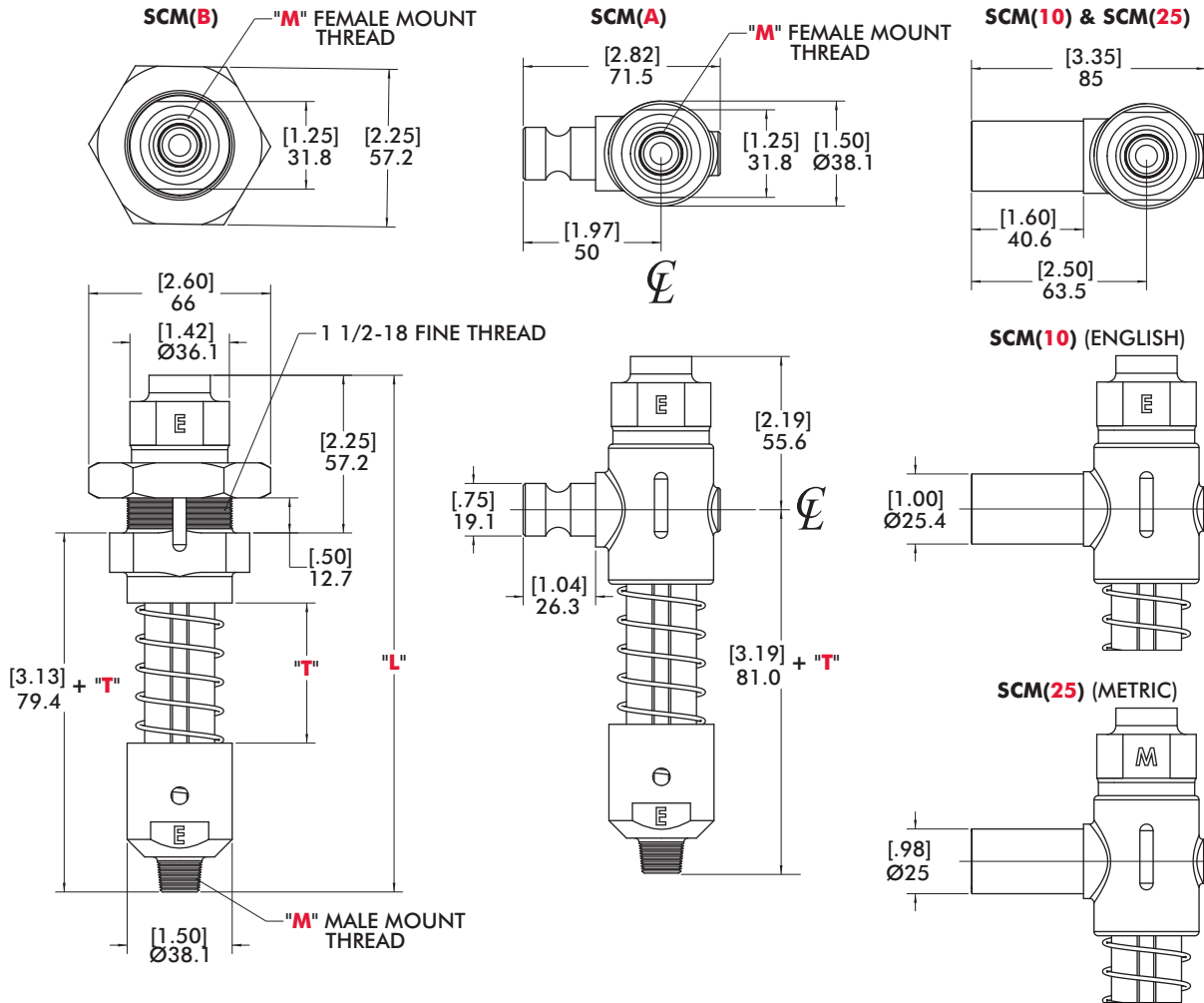


Ø1.50"/40MM
Single Strap Tube Mount
CPI-SCM(S)-"D"- "T"- "O"





Extended Travel Spring-Loaded Cup Mounts

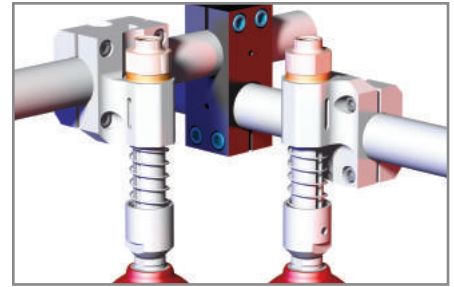
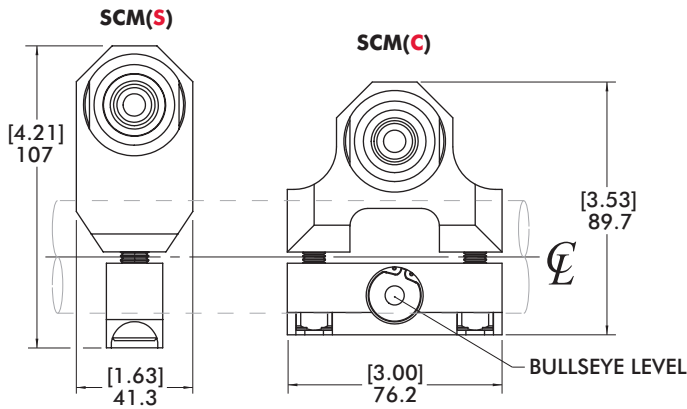
SCM Bulkhead/Apple Core/Extension Style Extended Travel Dimensions



SCM Travel and Length - CPI-SCM(X)-"T"

Version	Travel "T"	L	M	Weight
 <p>Imperial</p>	200E (2.00" Vertical Travel)	187.3 [7.38]	3/8" NPT	.48kg [1.06 lb]
	400E (4.00" Vertical Travel)	238.2 [9.38]	3/8" NPT	.53kg [1.16 lb]
	600E (6.00" Vertical Travel)	288.9 [11.38]	3/8" NPT	.58kg [1.27 lb]
 <p>Metric</p>	050M (50mm Vertical Travel)	187.3 [7.38]	3/8" G	.48kg [1.06 lb]
	100M (100mm Vertical Travel)	238.2 [9.38]	3/8" G	.53kg [1.16 lb]
	150M (150mm Vertical Travel)	288.9 [11.38]	3/8" G	.58kg [1.27 lb]

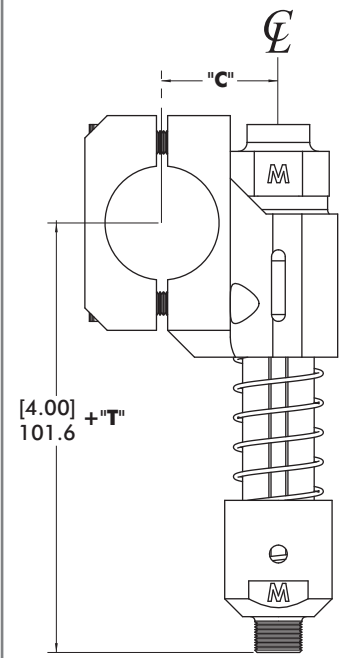
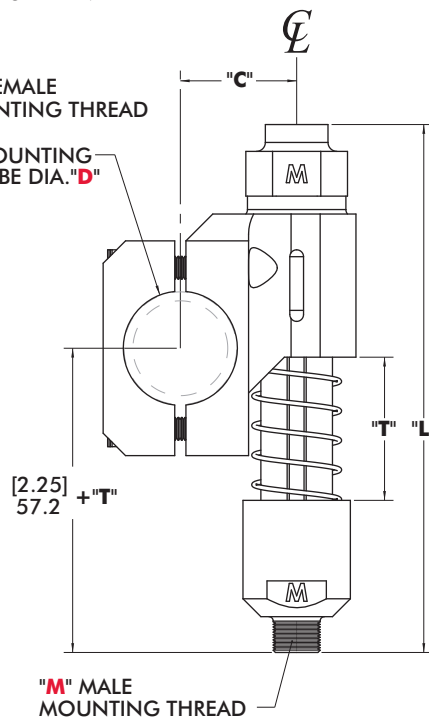
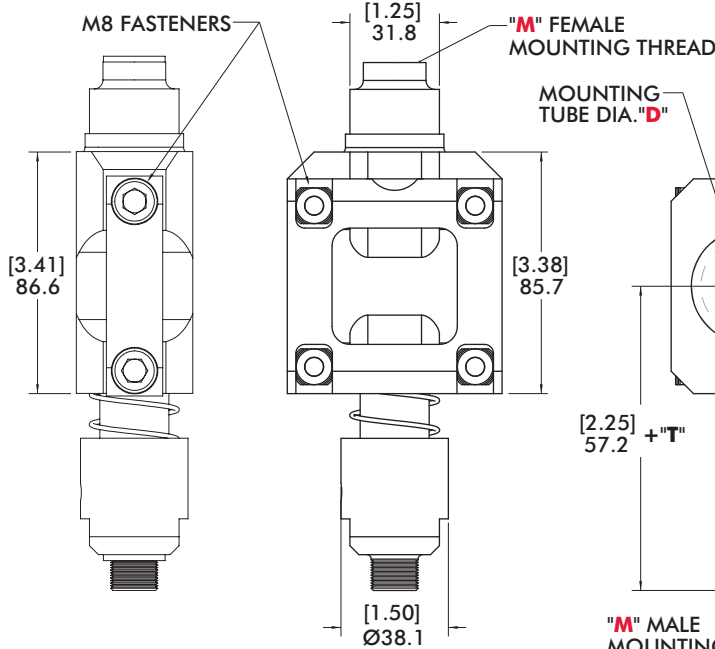
Spring-Loaded Cup Mounts
SCM Tube Mounted Extended Travel Dimensions



Patent Pending

SCM(S/C) MOUNTING ORIENTATION (SHOWN)
"O" = A (RAISED POSITION)

SCM(S/C) MOUNTING ORIENTATION (SHOWN)
"O" = B (LOWERED POSITION)



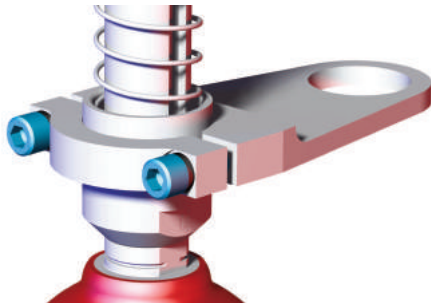
Model	C
CPI-SCMC	41.3 [1.63]
CPI-SCMS	54.1 [2.13]

SCM Travel and Length - CPI-SCM(X)-"D"- "T"- "O"

Version	Travel "T"	L	M	D	Weight
Imperial	200E (2.00" Vertical Travel)	187.3 [7.38]	3/8" NPT	150 (Ø1.50")	.85kg [1.87 lb]
	400E (4.00" Vertical Travel)	238.2 [9.38]	3/8" NPT	150 (Ø1.50")	.90kg [1.97 lb]
	600E (6.00" Vertical Travel)	288.9 [11.38]	3/8" NPT	150 (Ø1.50")	.94kg [2.08 lb]
Metric	050M (50mm Vertical Travel)	187.3 [7.38]	3/8" G	40M (Ø40mm)	.85kg [1.87 lb]
	100M (100mm Vertical Travel)	238.2 [9.38]	3/8" G	40M (Ø40mm)	.90kg [1.97 lb]
	150M (50mm Vertical Travel)	288.9 [11.38]	3/8" G	40M (Ø40mm)	.94kg [2.08 lb]

Spring-Loaded Cup Mounts

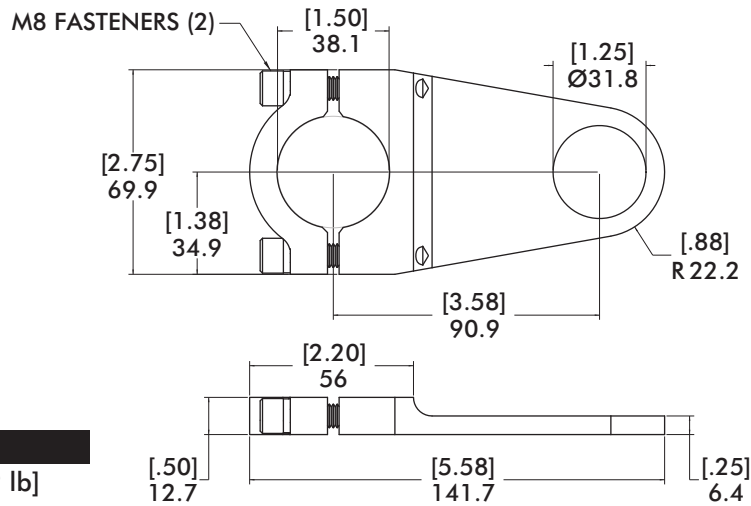
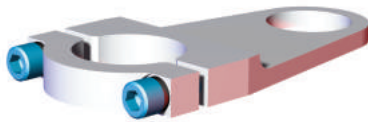
SAP Extended Travel Proximity Switch Mounts



Specifications:
Material: Aluminum

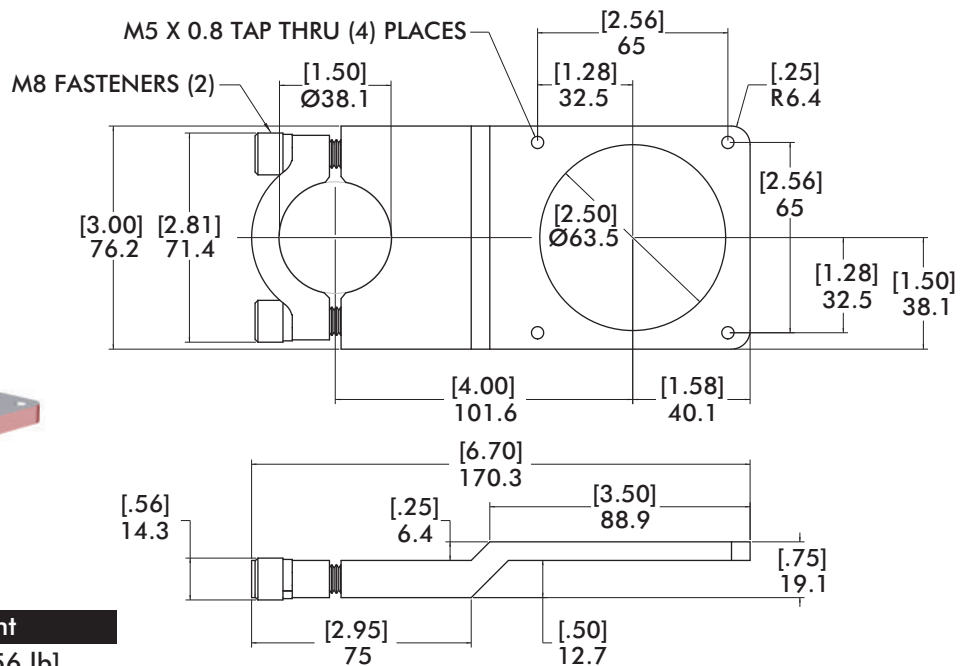
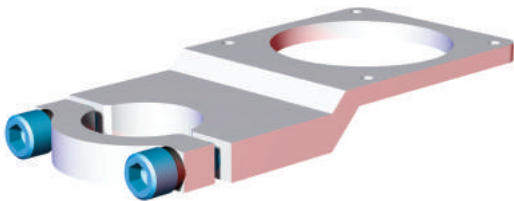
- Features:**
- Mounts 30mm barrel style and square style proximity switches to the extended travel spring-loaded cup mounts.

SAP 30mm Barrel Style



Model	Weight
CPI-SAP-30-PM-150	.13 kg [.29 lb]

SAP 50mm Square Style



Model	Weight
CPI-SAP-NI50-PM-150	.23 kg [.56 lb]



Destacker Double Blank Detector Spring Mounts
DBD Features, Options, and Ordering Information

Features:

- Orbital design allows compliance to blanks within +/- 15° without having to make any automation, tooling or robot adjustments. [US Patent No. 4,662,668]
- Elimination of compression springs results in long-lasting, reliable performance
- **HD** Version provides added stability for heavy-duty applications

Specifications:

Operating Pressure: 4 bar [60psi]
Electric: Sensor supplied by customer



CPI-DBD-(X)-SCMB-(T)
Ø1.25" Thru Hole
Bulkhead Mount



CPI-DBD-(X)-SCMA-(T)
Ø.75"/19mm
Apple Core Mount



CPI-DBD-(X)-SCM10/25-(T)
Ø1.00"/25mm



CPI-DBD-(X)-SCMC-(T)
Ø1.25"/40mm
Tube Mount

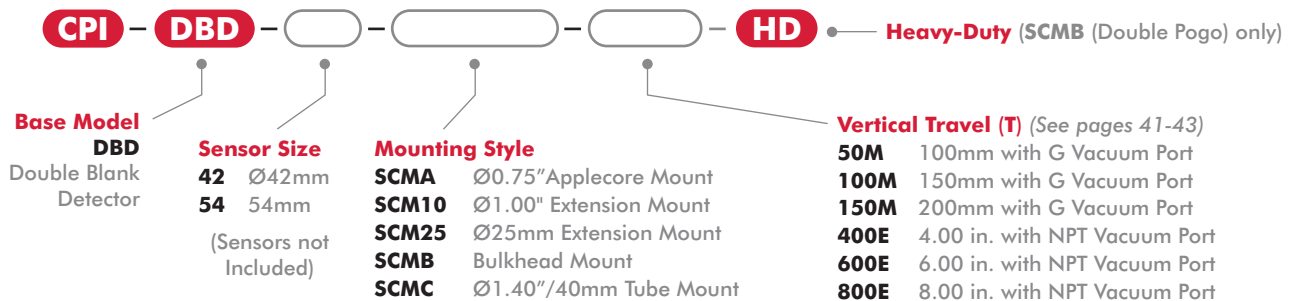


CPI-DBD-(X)-SCMB-(T)-HD
Ø1.00"/25mm Tube Mount
Heavy-duty (Double Pogo)

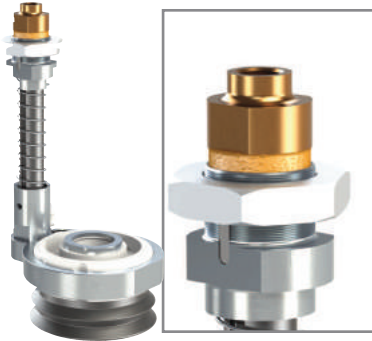
Integrated Bullseye Level



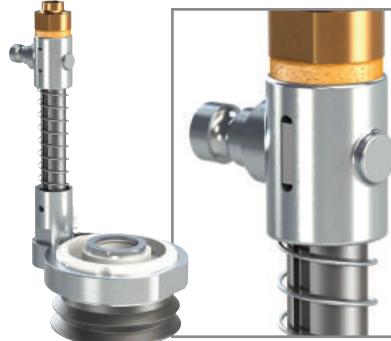
DBD Ordering Information



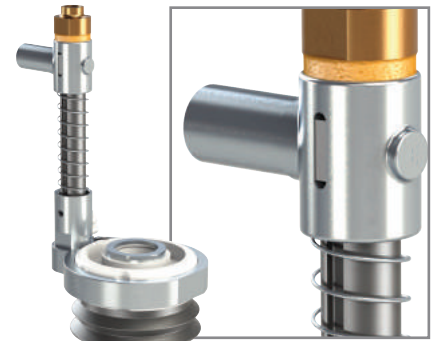
Destacker Double Blank Detector Spring Mounts
DBD Bulkhead/Apple Core/Extension Style Dimensions



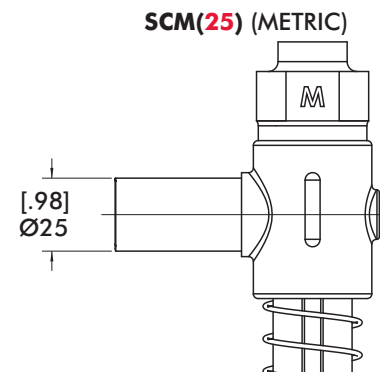
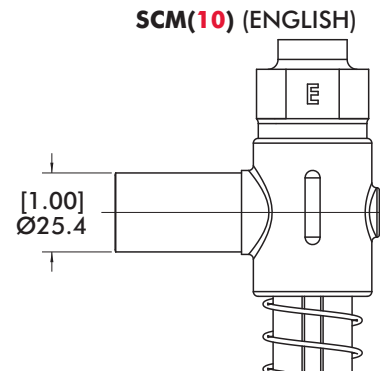
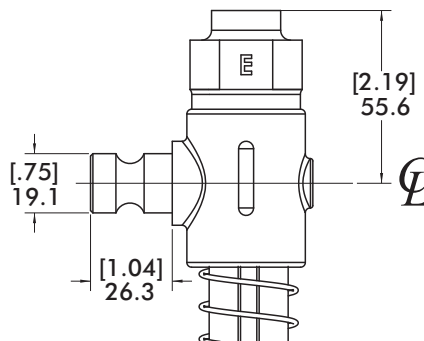
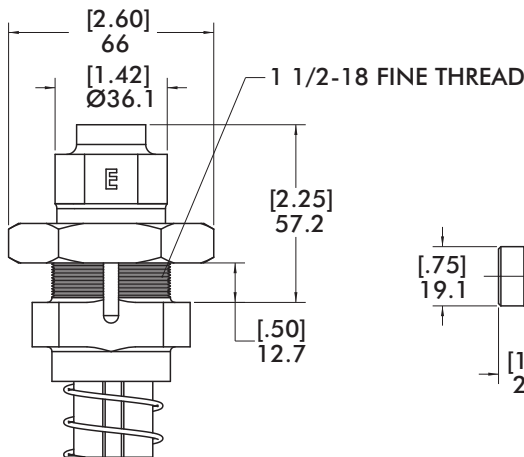
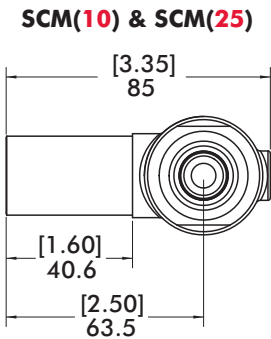
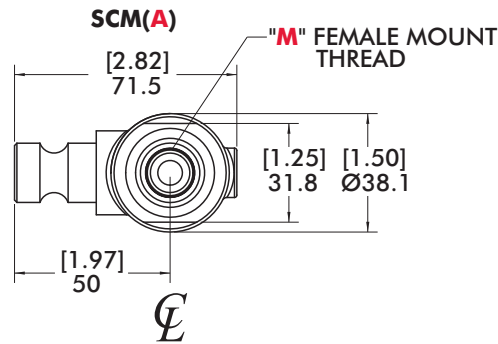
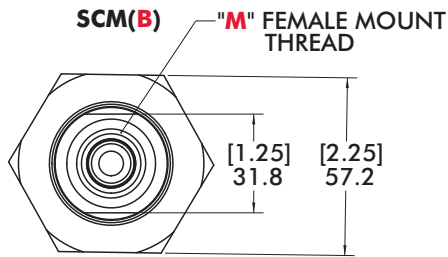
SCMB
 Ø1.25" Thru Hole
 Bulkhead Mount



SCMA
 Ø.75"/19mm
 Apple Core Mount

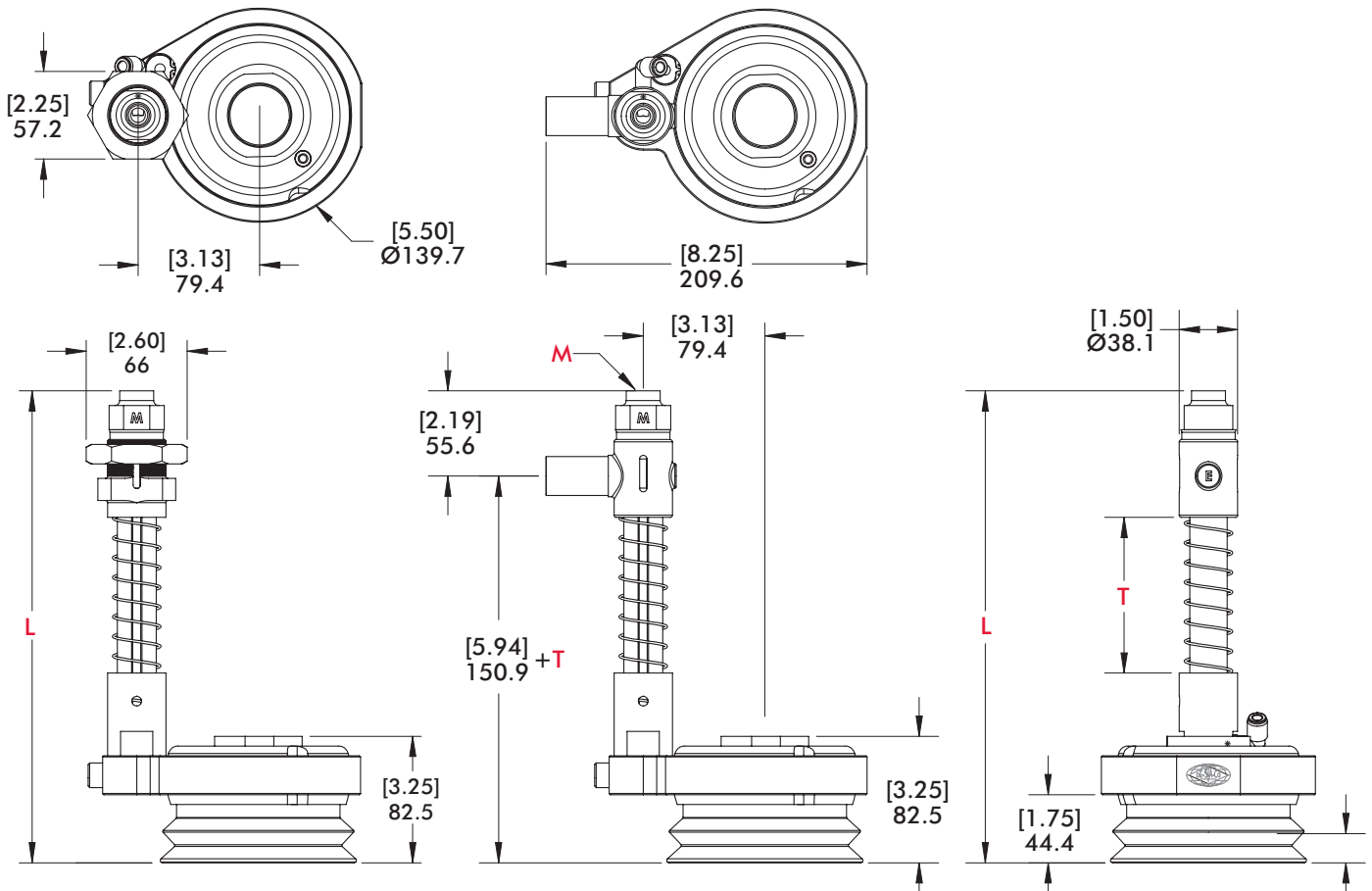
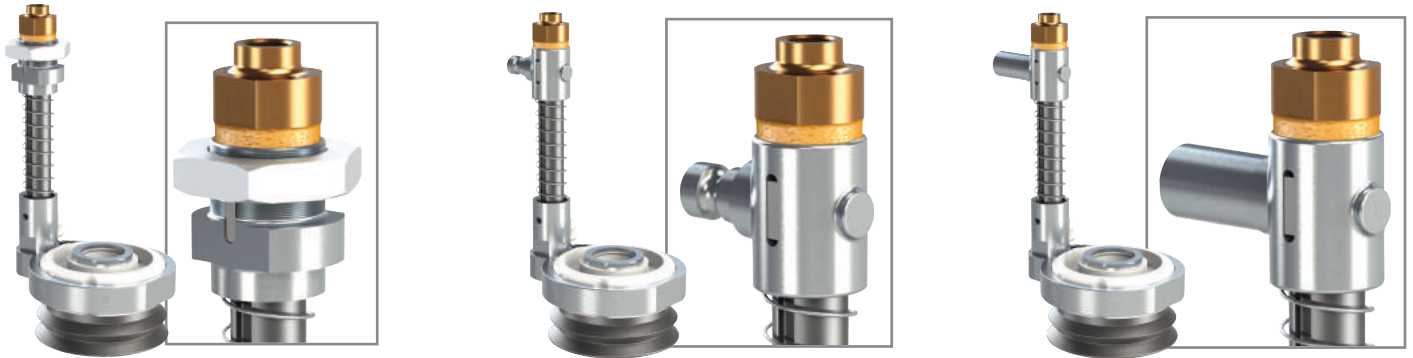


SCM10/25
 Ø1.00"/25mm
 Extension Mount





Version	(M)
Imperial	3/8" NPT
Metric	3/8" G

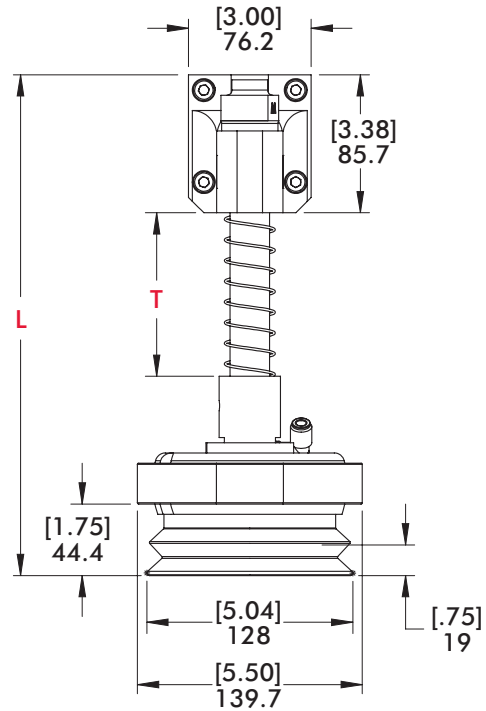
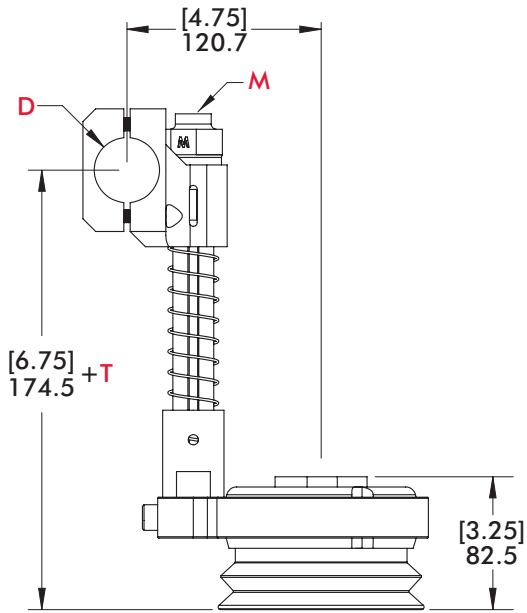
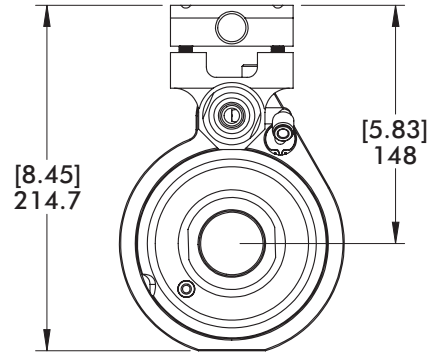
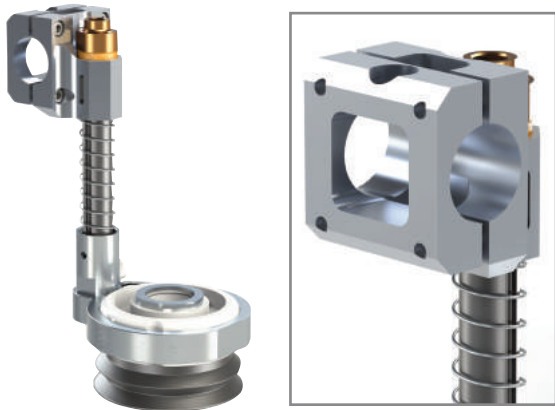
Destacker Double Blank Detector Spring Mounts
DBD Bulkhead/Apple Core/Extension Style Dimensions





DBD Travel and Length - CPI-DBD-(X)-SCM(X)-(T)

Version	Vertical Travel (T)	(L)	(M)	Weight
Imperial 	200E (2.00")	307.8 [12.12]		.85kg [1.87 lb]
	400E (4.00")	357.8 [14.12]	3/8" NPT	.90kg [1.97 lb]
	600E (6.00")	409.4 [16.12]		.94kg [2.08 lb]
Metric 	050M (50mm)	307.8 [12.12]		.85kg [1.87 lb]
	100M (100mm)	357.8 [14.12]	3/8" G	.90kg [1.97 lb]
	150M (150mm)	409.4 [16.12]		.94kg [2.08 lb]

Destacker Double Blank Detector Spring Mounts
DBD Tube Mounted Dimensions

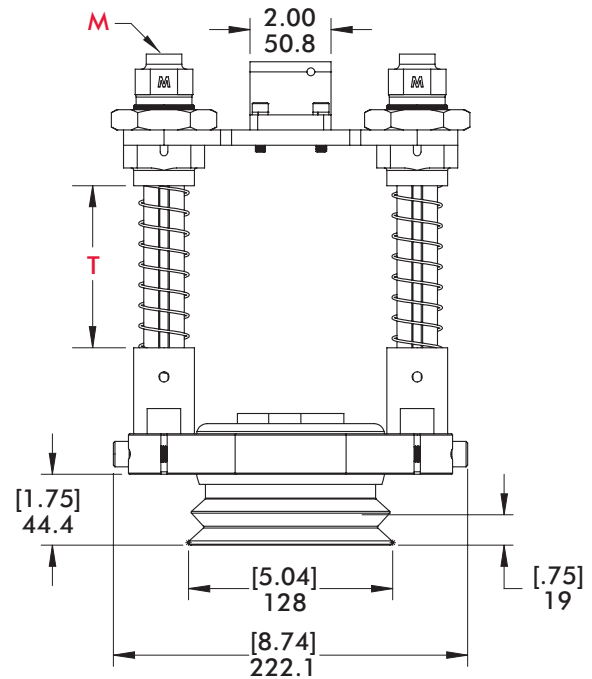
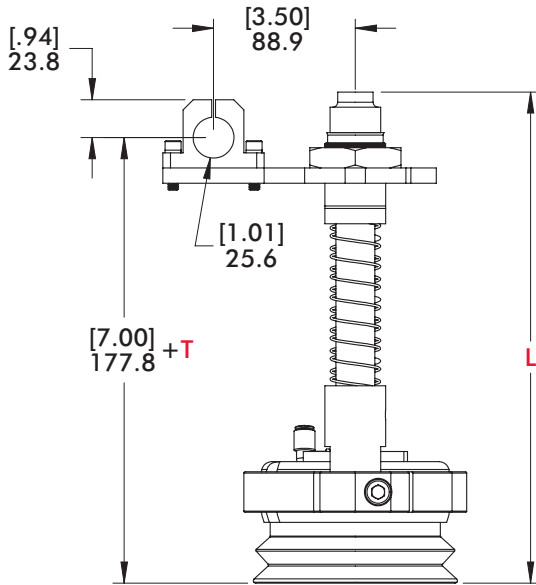
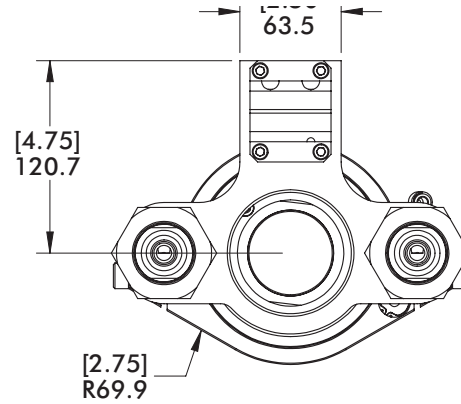
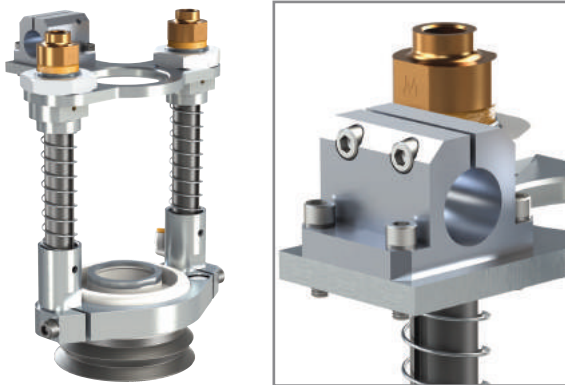


DBD Travel and Length - CPI-DBD-(X)-SCMC-(T)



Version	Vertical Travel (T)	(L)	(M)	(D)	Weight
 Imperial	200E (2.00")	261.1 [10.28]			.85kg [1.87 lb]
	400E (4.00")	311.1 [12.25]	3/8" NPT	150 (Ø1.50")	.90kg [1.97 lb]
	600E (6.00")	369.9 [14.21]			.94kg [2.08 lb]
 Metric	050M (50mm)	261.1 [10.28]			.85kg [1.87 lb]
	100M (100mm)	311.1 [12.25]	3/8" G	40M (Ø40mm)	.90kg [1.97 lb]
	150M (150mm)	369.9 [14.21]			.94kg [2.08 lb]



Destacker Double Blank Detector Spring Mounts
DBD Heavy Duty (Double Pogo) Dimensions



DBD Travel and Length - CPI-DBD-(X)-SCMB-(T)-HD

Version	Vertical Travel (T)	(L)	(M)	Weight
 Imperial	400E (4.00")	357.8 [14.12]	3/8" NPT	3.3kg [7.20 lb]
	600E (6.00")	409.4 [16.12]		3.4kg [7.40 lb]
 Metric	100M (100mm)	357.8 [14.12]	3/8" G	3.3kg [7.20 lb]
	150M (150mm)	409.4 [16.12]		3.4kg [7.40 lb]

Manifolds

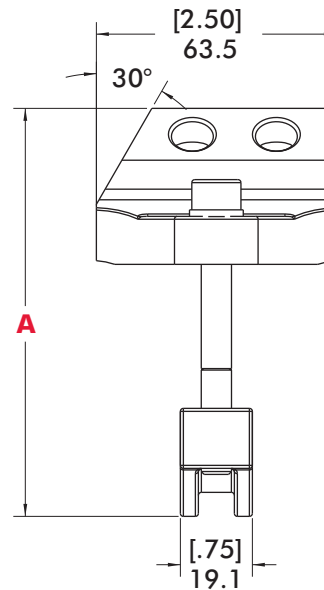
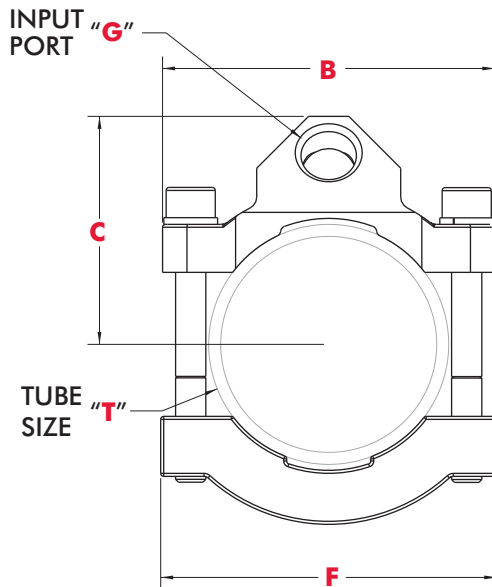
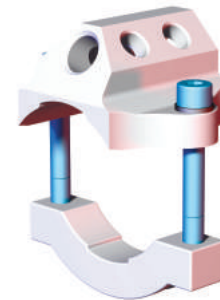
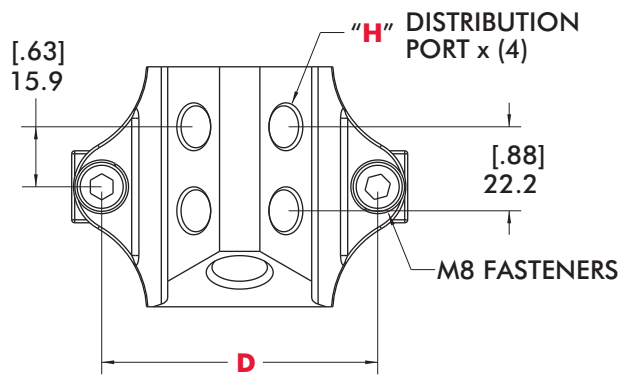
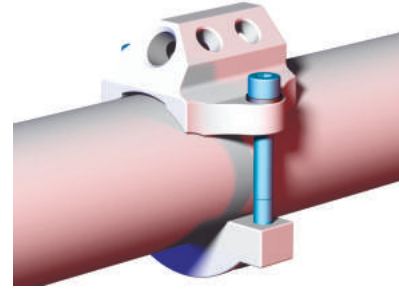
MBC/MLK Boom Mounted Single 4-Port - 30° Angled Input Port

Features:

- 30° Angled input port.
- Provides a 4-port air distribution system mount on the boom.

Specifications:

Material: Aluminum

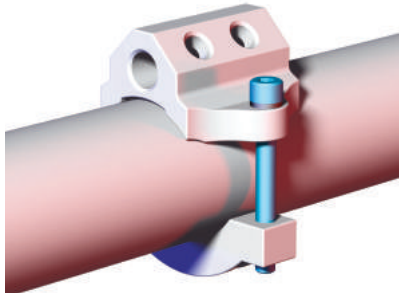


MBC/MLK Dimensions

Model	A	B	C	D	F	G	H	T	Weight
CPI-MLK-60-G44-30	108.0	87.9	60.3	73	88.9	3/8 G	1/4 G	Ø60MM	340g
[CPI-MBC-250-4-4-30]	[4.25]	[3.46]	[2.38]	[2.88]	[3.50]	[3/8 NPT]	[1/4 NPT]	[Ø2.50"]	[12 oz]

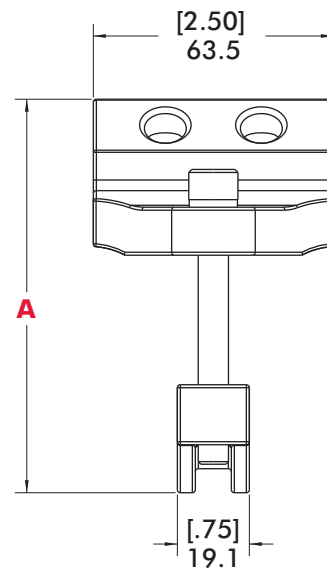
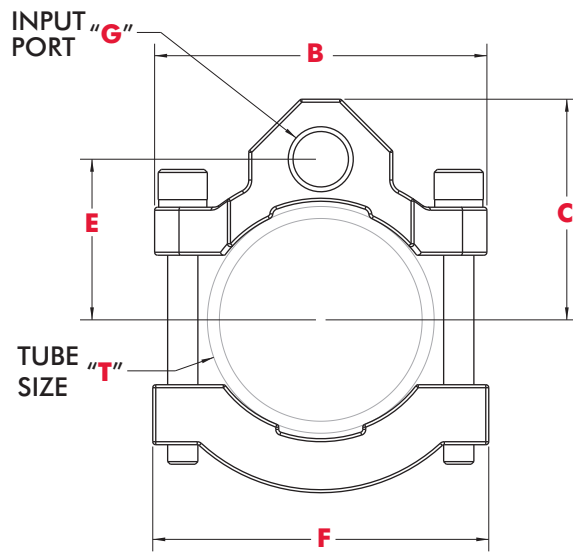
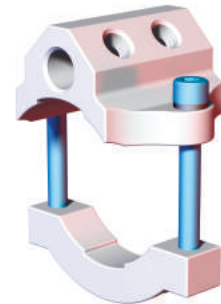
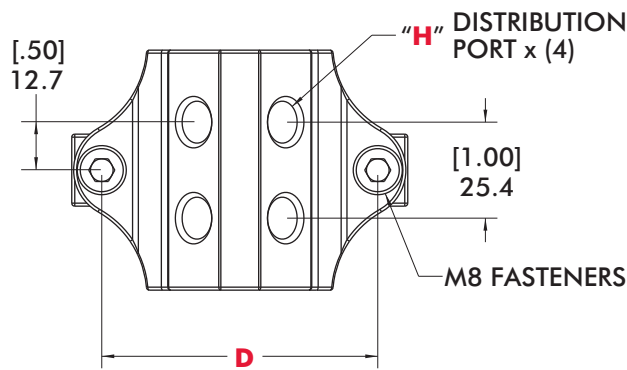
Manifolds

MBC/MLK Boom Mounted Single 4-Port



Specifications:
Material: Aluminum

- Features:**
- Provides a 4-port air distribution system mount on the boom.
 - Available in two sizes to allow clamping to Ø40mm [Ø1.50"] and Ø60mm [Ø2.50"] materials.



MBC/MLK Dimensions

Model	A	B	C	D	E	F	G	H	T	Weight
CPI-MLK-40-G44	88.9	64.3	52.5	48.5	36.7	64.3	12.9	114.5	Ø40MM	283g
[CPI-MBC-150-4-4]	[3.50]	[2.53]	[2.07]	[1.91]	[1.44]	[2.53]	[.51]	[4.51]	[Ø1.50"]	[10 oz]
CPI-MLK-60-G44	104.1	87.9	58.4	73	42.5	88.9	39.7	118.4	Ø60MM	340g
[CPI-MBC-250-4-4]	[4.10]	[3.46]	[2.30]	[2.88]	[1.67]	[3.50]	[1.56]	[4.65]	[Ø2.50"]	[12 oz]

Manifolds

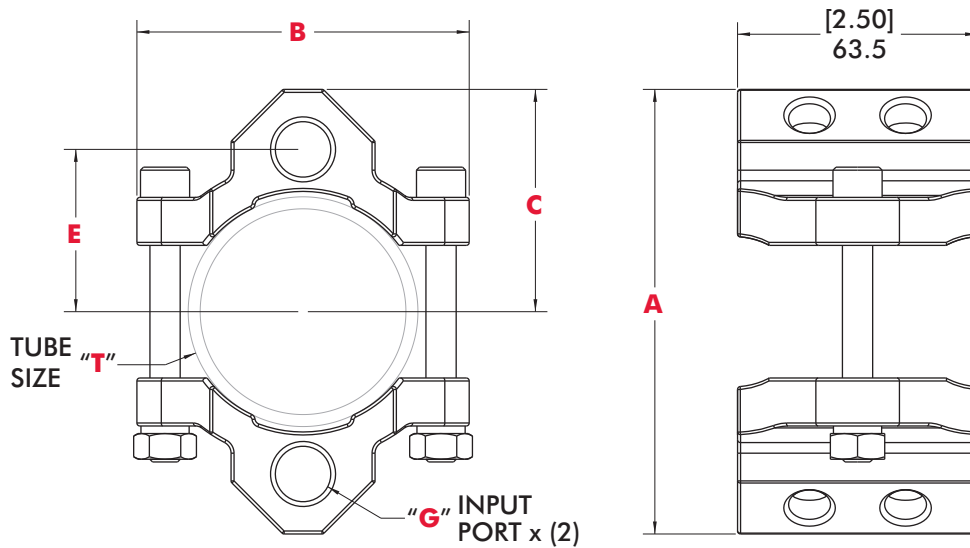
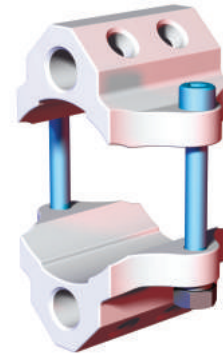
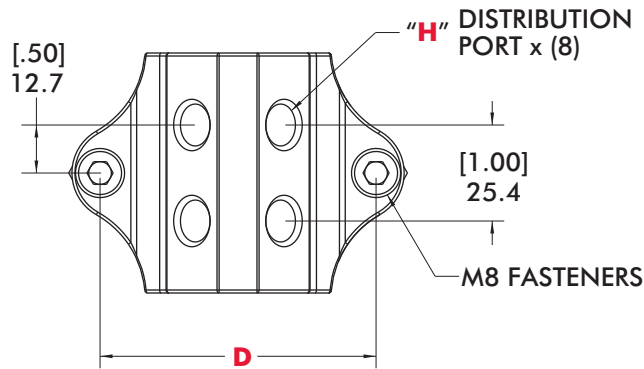
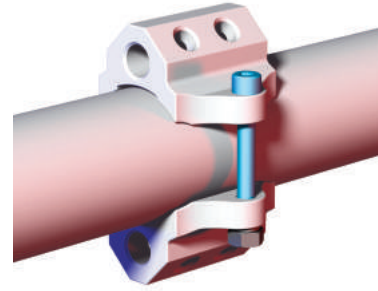
MBC/MLK Boom Mounted Double 8-Port

Features:

- Provides an 8-port (4 ports on top and bottom) air distribution system mount on the boom.
- Available in two sizes to allow clamping to Ø40mm [Ø1.50"] and Ø60mm [Ø2.50"] materials.

Specifications:

Material: Aluminum

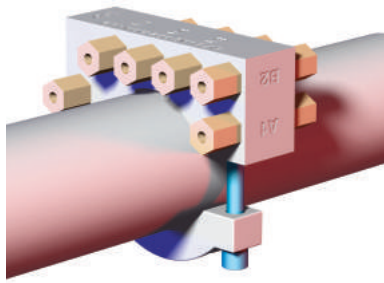


MBC/MLK Dimensions

Model	A	B	C	D	E	G	H	T	Weight
CPI-MLK-40-G88 [CPI-MBC-150-8-8]	105.1 [4.14]	64.3 [2.53]	52.5 [2.07]	48.5 [1.91]	36.8 [1.45]	3/8 G [3/8 NPT]	1/4 G [1/4 NPT]	Ø40MM [Ø1.50"]	425g [16 oz]
CPI-MLK-60-G88 [CPI-MBC-250-8-8]	117.6 [4.63]	87.9 [3.46]	58.8 [2.32]	73.0 [2.88]	42.9 [1.69]	3/8 G [3/8 NPT]	1/4 G [1/4 NPT]	Ø60MM [Ø2.50"]	510g [18 oz]

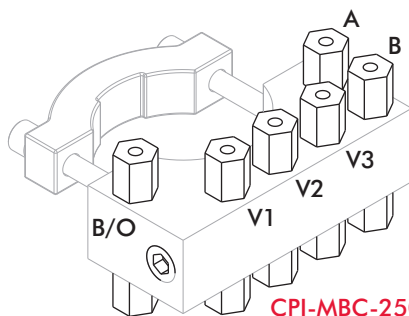
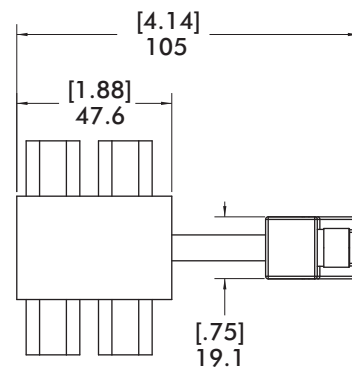
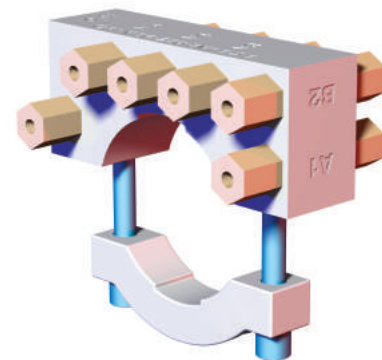
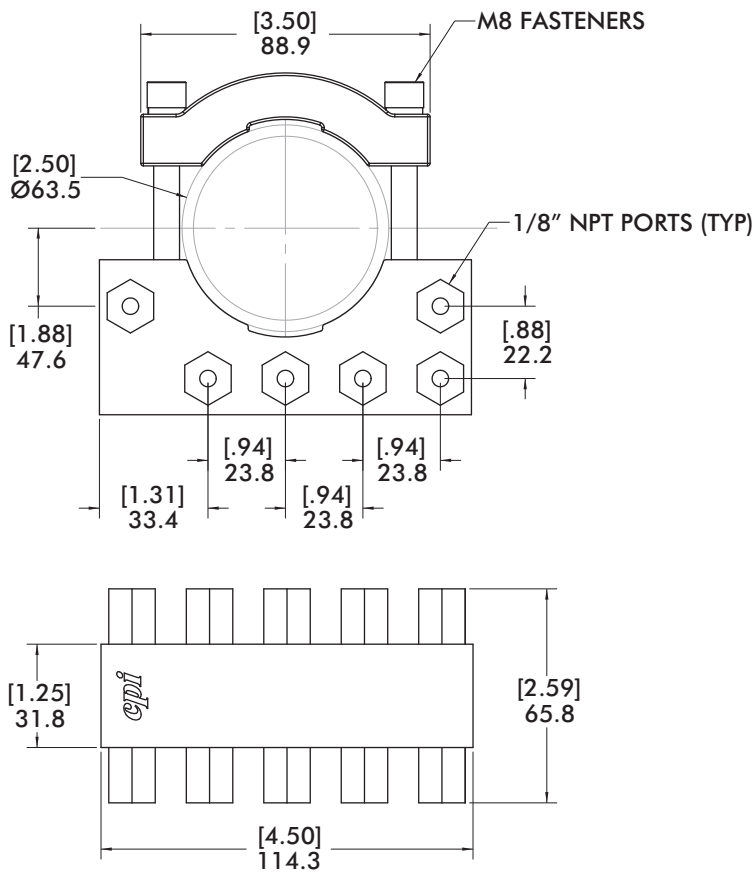
Manifolds

MBC Boom Mounted Single 6-Port

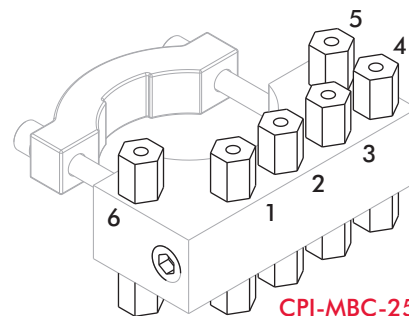


Specifications:
Material: Aluminum

- Features:**
- Provides a 6-port air distribution system mounted on the boom.
 - Easy access.

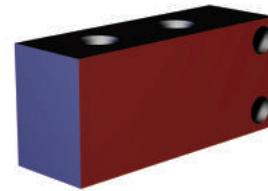
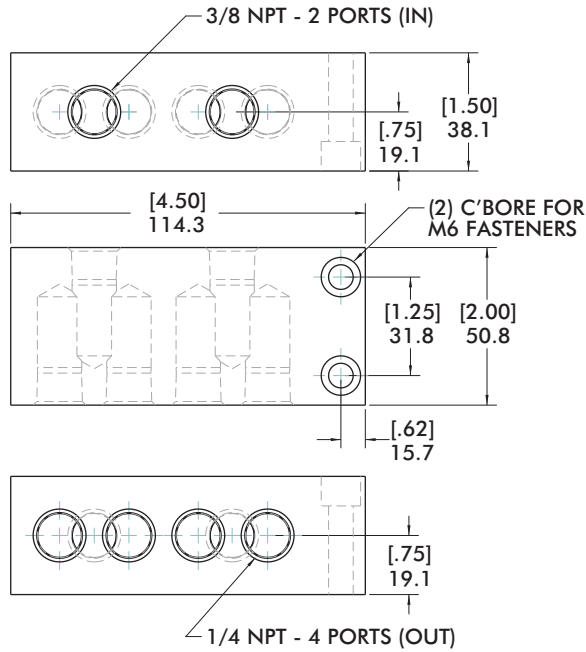


CPI-MBC-250-3V1B-AB

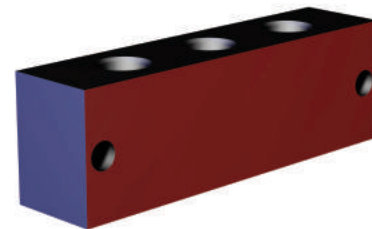
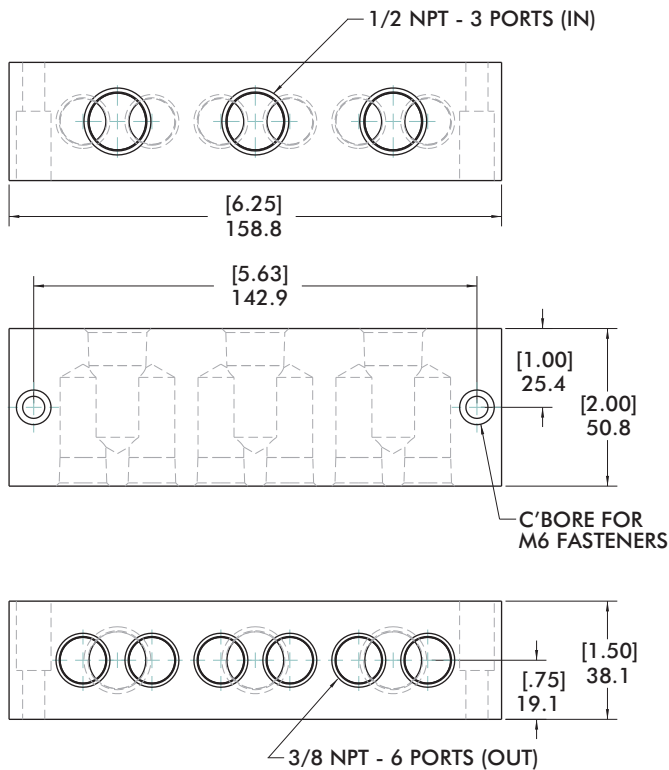


CPI-MBC-250-4V2B

Manifolds
GDA/MBB Block Style for Remote Mounting

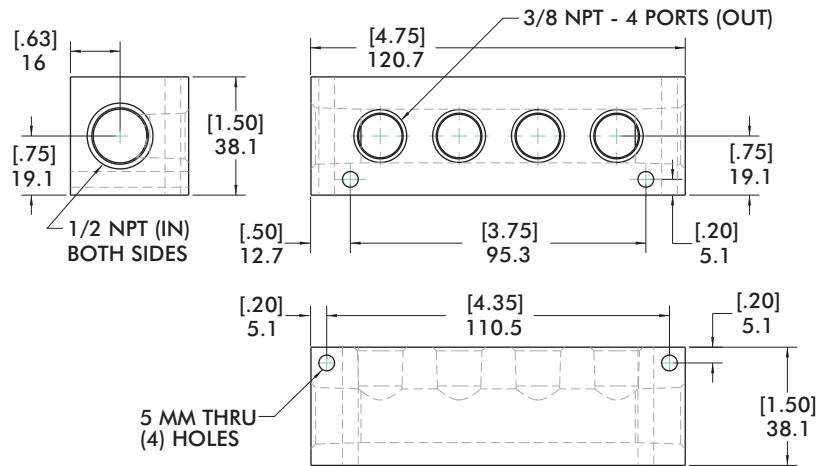
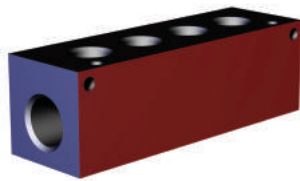


Model	Weight
CPI-GDA-M24-37327	.23 kg [.56 lb]

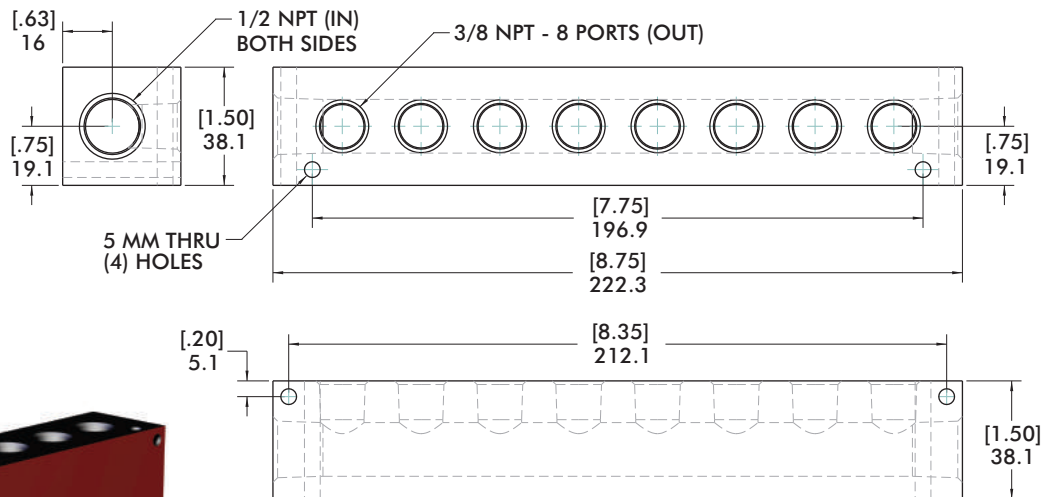
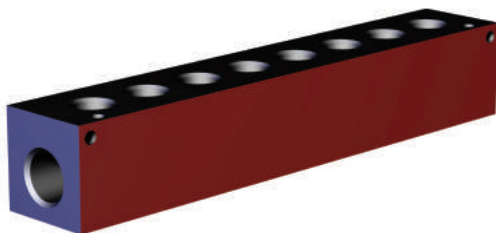


Model	Weight
CPI-MMB-4V2B-LG	.23 kg [.56 lb]

Manifolds
MMB Block Style or Remote Mounting



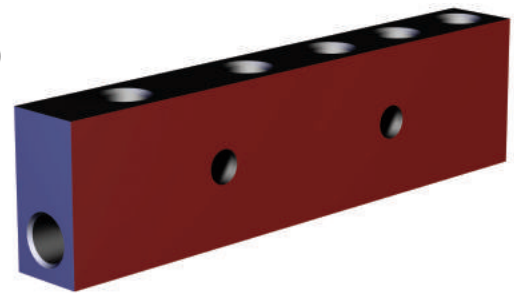
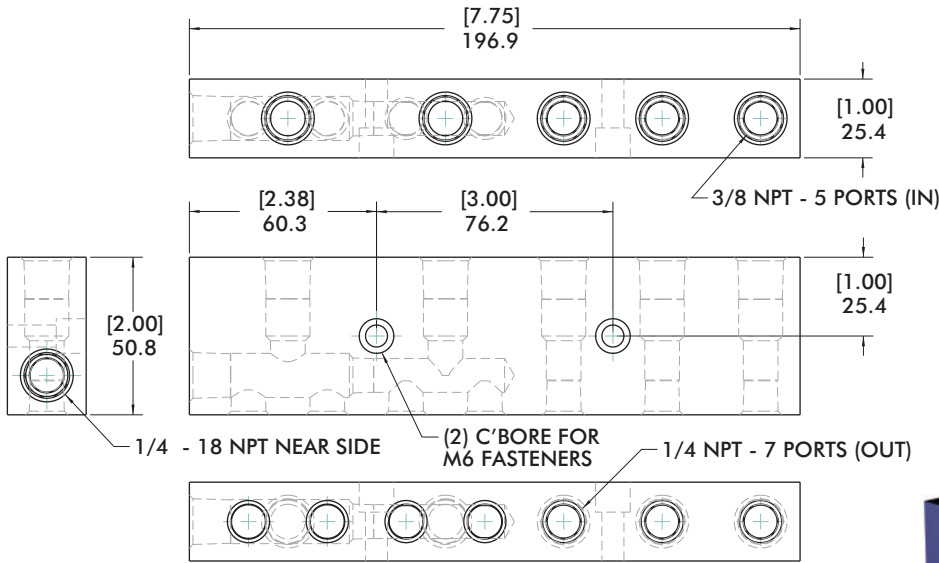
Model	Weight
CPI-MMB-4P	.23 kg [.56 lb]



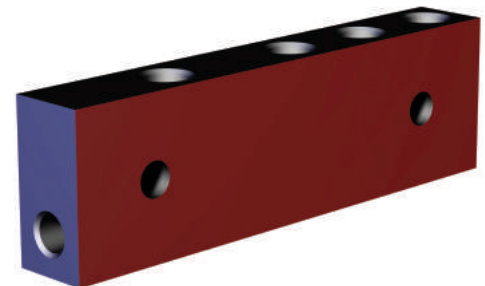
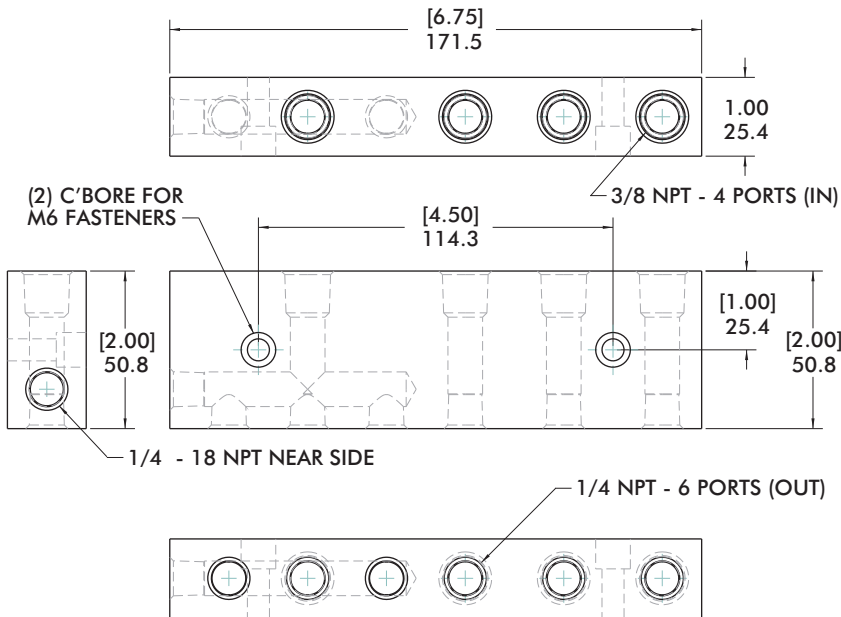
Model	Weight
CPI-MMB-8P	.23 kg [.56 lb]

Manifolds

MMB Block Style for Remote Mounting



Model	Weight
CPI-MMB-4VSP-AB	.23 kg [.56 lb]

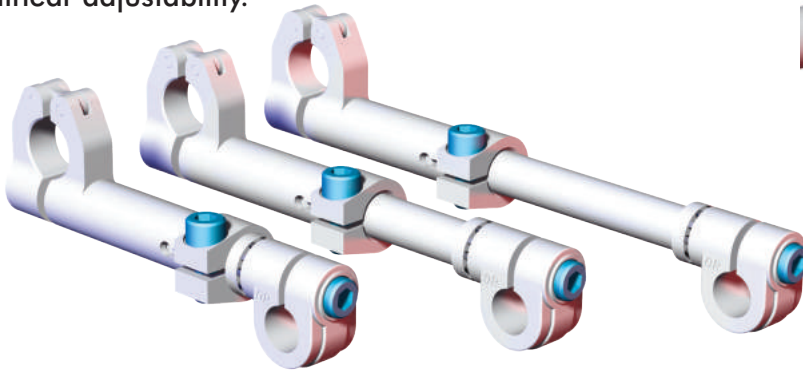


Model	Weight
CPI-MMB-3V1B-AB	.23 kg [.56 lb]

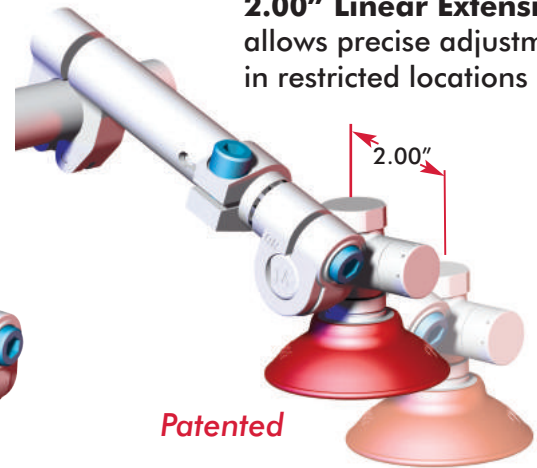


Vacuum Products
Products used with Vacuum Products

“Extend Arm” Swivel Arms are available in (3) standard lengths to offer (3) ranges of linear adjustability.

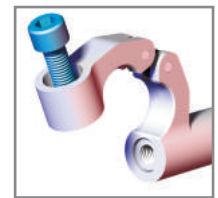


2.00” Linear Extension allows precise adjustment in restricted locations



Three-bolt adjustment system; (2) bolts for individual adjustment of each joint along with (1) bolt for linear Adjustment. Adjust a single point of axis while the other areas of adjustment remains secure.

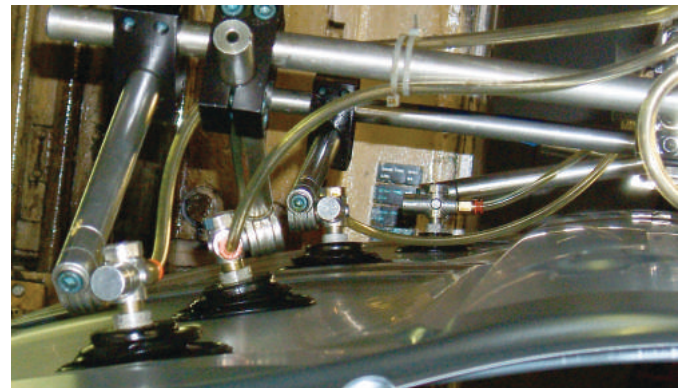
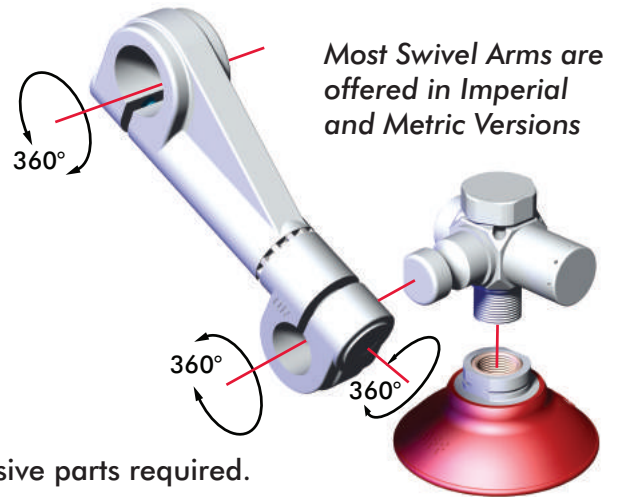
Double-Hinge Design provides even clamping force to better hold mounting position. End opens to allow mounting in the center of tube/bar without removing existing components. These features reduce downtime for setup and adjustment.



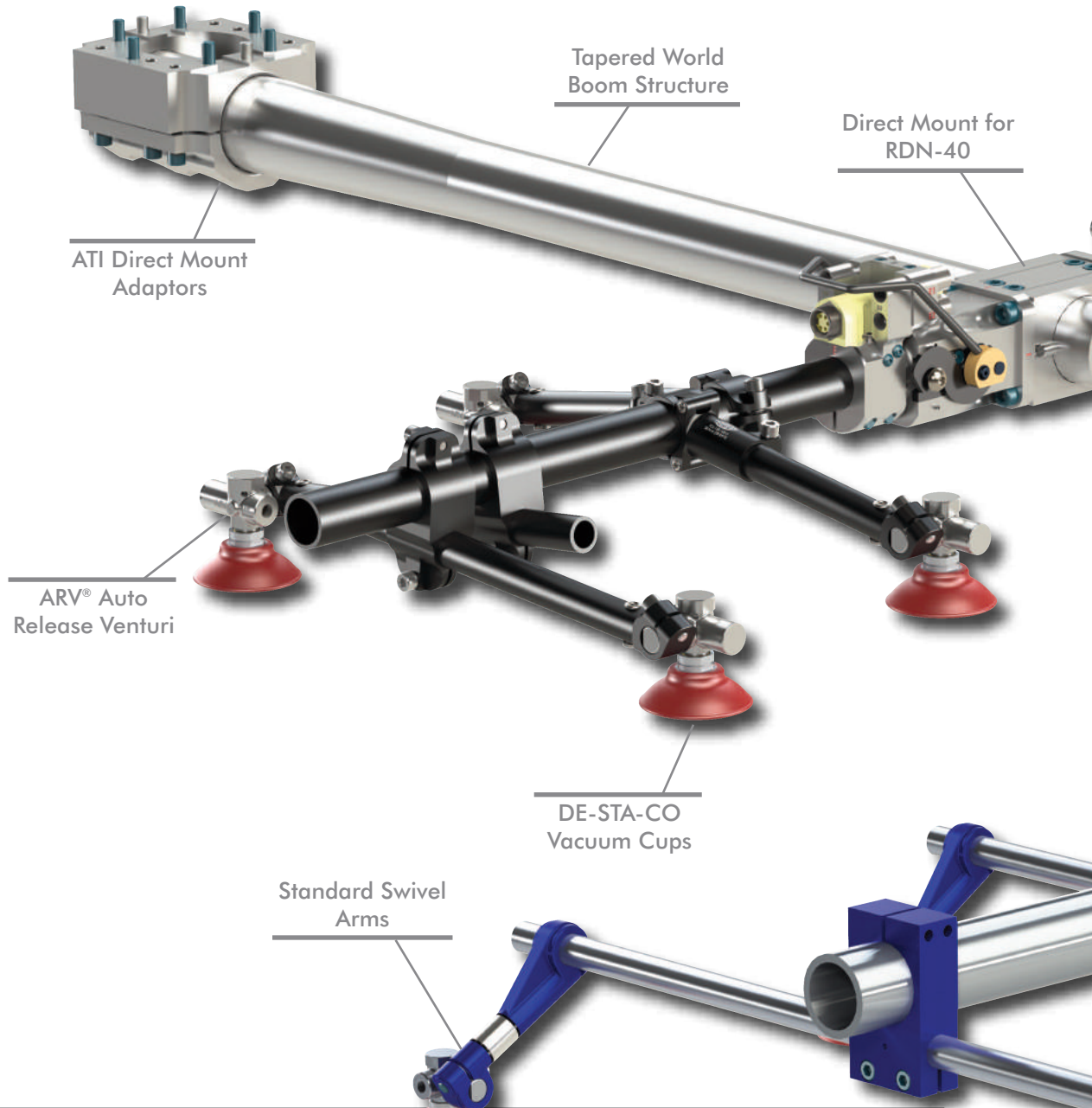
Standard Swivel Arms offers a versatile attachment point for vacuum generators and adaptors, proximity switches and nest mounts brackets.

Single-Bolt adjustment for (3) axis
Standard Swivel Arms, as well as Single-Bolt Transition Swivel Arms, and Single End Extensions all share the convenient one-bolt design for quick setup, easy assembly and adjustment. Tool setup is therefore quick and easy, saving time and money.

360° of adjustment in (3) different axes
Easily locate cups on most panels. No special or expensive parts required.



DE-STA-CO's world tool components are configured to handle parts of any size and shape, and can be re-used for future applications.





Round tooling components are used in combination with the Accelerate Collection for lightweight tooling solutions



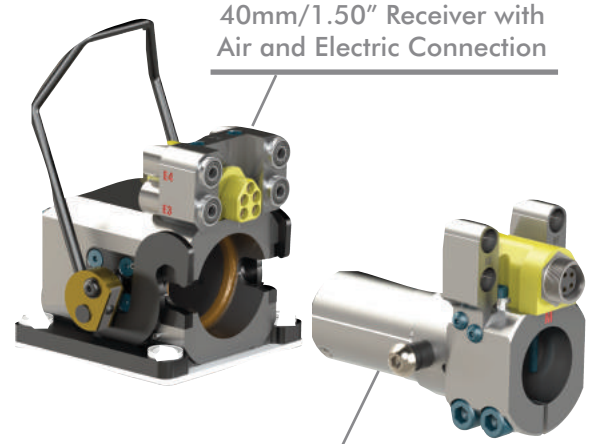
Most commonly used in:

Applications	Markets
Load/Unload Pick and Place Material Handling	Automotive Industrial Appliance Plastics



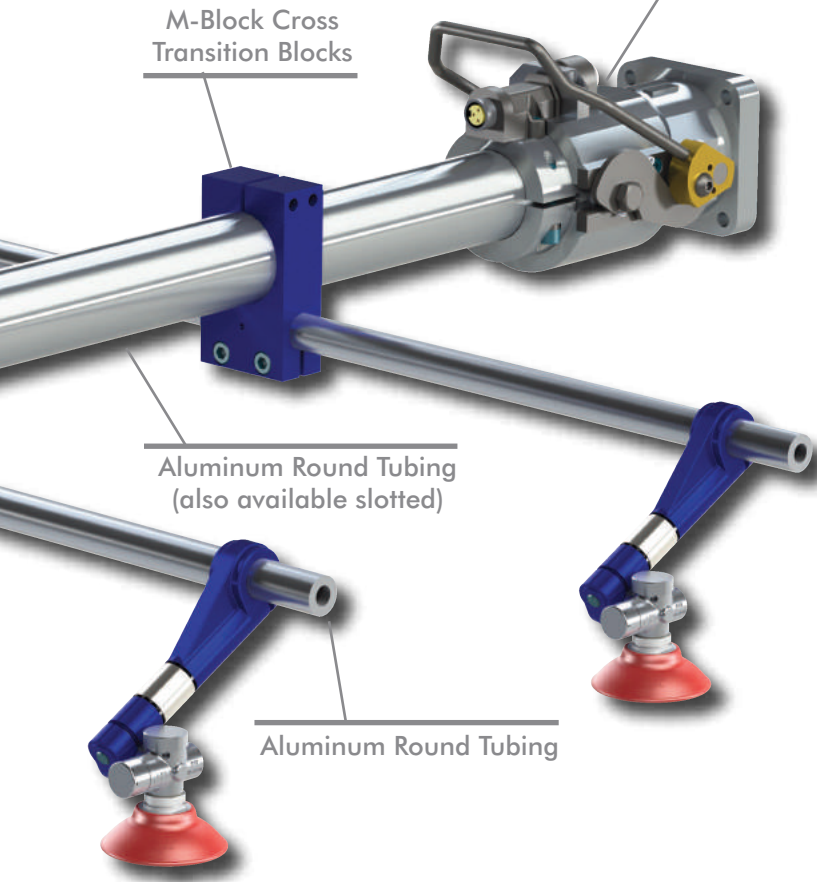
40mm/1.50" Quick Disconnect

60mm/2.50" Quick Disconnect with Electric Connection



40mm/1.50" Receiver with Air and Electric Connection

40mm/1.50" Receiver with Air and Electric Connection



M-Block Cross Transition Blocks

Aluminum Round Tubing (also available slotted)

Aluminum Round Tubing



A DOVER COMPANY

GLOBAL LOCATIONS

NORTH AMERICA

DE-STA-CO Headquarters
Auburn Hills, Michigan
Tel: 1.248.836.6700
Toll Free: 1.888.DESTACO
Marketing: marketing@destaco.com
Customer Service: customerservice@destaco.com

Charlevoix, Michigan
Tel: 1.888.DESTACO
Customer Service: customerservice@destaco.com

Wheeling, Illinois
Tel: 1.800.645.5207
Customer Service: camco@destaco.com

Red Wing, Minnesota (Central Research Laboratories)
Tel: 651.385.2142
Customer Service: sales@centres.com

SOUTH AMERICA

Brazil
Tel: 0800-124070
Customer Service: samerica@destaco.com

ASIA

Thailand
Tel: +66-2-326-0812
Customer Service: info@destaco.com

China
Tel: +86-21-2411-2600
Customer Service: china@destaco.com

India
Tel: +91-80-41123421-426
Customer Service: india@destaco.com

EUROPE

Germany
Tel: +49-6171-705-0
Customer Service: europa@destaco.com

France
Tel: +33-1-3996-5000
Customer Service: france@destaco.com

UK
Tel: +44-1902-797980
Customer Service: uk@destaco.com

Spain
Tel: +34-936361680
Customer Service: spain@destaco.com

Netherlands
Tel: +31-297285332
Customer Service: benelux@destaco.com



A DOVER COMPANY

1025 Doris Road
Auburn Hills, MI 48326 USA

Tel 1.888.DESTACO

Fax 1.248.836.6901

Email customerservice@destaco.com
destaco.com



© Copyright, 2014 DE-STA-CO. All rights for layout, photos and text rest with the publisher DE-STA-CO. All photomechanical or other reproductions only with our express permission. All sales are based on our terms and conditions of sale, delivery and payment.

DSC-VP-C-0214-US-XXK