





## HUMPHREY PRODUCTS

*Humphrey*

Founded more than 100 years ago, the long history of Humphrey designed and produced innovations date back to the commercialization of gaslight products in 1901. Today, Humphrey is recognized as a leading producer of fluid control products, serving organizations worldwide. Our expertise in a wide range of markets and industries is based on technologies time-tested and proven in our standard products, enabling us to create truly customized solutions for those customers having unique commercial and industrial applications.

Headquartered in Kalamazoo, Michigan, we have an experienced staff at multiple locations of not more than 200 associates at each one in order to serve you with the very best personal service at locations throughout the United States and Canada. We also have a long-standing alliance with the Japan-based Koganei Corporation, one of the largest and highest quality fluid control companies in the world.

We work to solve not only your fluid control challenges, but to also improve the ease and efficiency of your manufacturing processes. This comprehensive approach offers you tremendous outsourcing advantages, significantly reducing your product development cycle and creating vital cost efficiencies. You gain access to our advanced manufacturing technologies, reduced time-to-market, and the ability to reassign critical internal resources to focus on your core competencies. Our purpose is to serve and solve whatever the problem is you face in automating your controls and processes.



General Gas Light Co, circa 1906

***Humphrey has a rich history dating back to 1901, when it was General Gas Light Company.***

***For details and photos reflecting on our history, go to [www.humphrey-products.com](http://www.humphrey-products.com), select "Our Company" and then click on the photo you see on this page.***



***More than 50 years ago, Humphrey and Koganei become the first independent North American and Japanese manufacturers of pneumatics to join forces.***



Koganei is a top supplier of pneumatic components in Asia, and among the top five in the world. Over the years, we've worked with Koganei to develop products, exchange the latest design and manufacturing technology, and manufacture some of the finest pneumatic actuators and valves in the world. This relationship continues today. With Koganei, we can call on a breadth and depth of experience which crosses continents and industries, helping us create more innovative, inventive solutions which will help you succeed. For more information, go to [www.koganei.co.jp](http://www.koganei.co.jp).



For a copy of these certificates, please go to [www.humphrey-products.com](http://www.humphrey-products.com).

Company History ..... Inside Front Cover  
 General Catalog, Website and Ordering Information ..... 2  
 What We Offer ..... 3

**DIRECT-ACTING SOLENOID VALVES**

Introduction and Valve Index ..... 4-5  
 Products Available, Arranged by Type (Small to Large) ..... 6-19

**INDIRECT-ACTING SOLENOID VALVES**

Introduction and Valve Index ..... 20-21  
 Products Available, Arranged by Type (Small to Large) ..... 22-41

**AIR-PILOT VALVES**

Introduction and Valve Index ..... 42-43  
 Products Available, Arranged by Type (Small to Large) ..... 44-53

**MANUAL AND MECHANICAL VALVES**

Introduction and Valve Index ..... 54-55  
 Products Available, Arranged by Type (Small to Large) ..... 56-63

**TAC SERIES**

Introduction and Valve Index ..... 64-65  
 Products Available, Arranged by Valves, Operators, Auxiliary Items and Fittings ..... 66-73

**VACUUM VALVES**

Introduction and Valve Index ..... 74-75  
 Products Available, Arranged by Type (Small to Large) ..... 76-83

**CARTRIDGE INSERT VALVE**

Introduction and Valve Index ..... 84-85  
 Products Available, Arranged by Type (Small to Large) ..... 86-89

**QUICK EXHAUST VALVES**

Introduction and Valve Index ..... 90-91  
 Products Available, Arranged by Type (Small to Large) ..... 92-93

Humphrey Engineered Solutions and Case Histories ..... 94-95  
 General Guidelines ..... 96  
 Sales Conditions and Warranty ..... 97  
 Index, Valves by Product Number ..... 98-99  
 Humphrey Valves–Design Principles ..... 100-Inside Back Cover



The information in this publication and other information from Humphrey Products and its authorized distributors is intended for use by persons having technical expertise in selecting and using these products. Refer to our website ([www.humphrey-products.com](http://www.humphrey-products.com)) for more information.

All technical and safety requirements of your specific application, including the consequences of any possible failure, should be analyzed prior to selecting and applying the products.

These products are not suitable for all applications, such as applications related to or connected with aviation, aircraft or aerospace.

## HOW TO USE THIS CATALOG

The Humphrey Valve Catalog provides basic decision-making information about our broad range of valve products. We recommend you view valve fundamentals, principles and background information on the first page of each valve section, then use the index to quickly navigate to the best solution.

Further information, such as detailed specifications, CAD drawings and how to order information, are readily available on our website at [www.humphrey-products.com](http://www.humphrey-products.com). Specifications listed here and on our website are based on testing data and may vary by environment and application. Dimensions are in nominal inches to capture the overall size of the product. Consult a factory representative if you cannot find the information you need.

## WHERE TO GET MORE INFORMATION



VISIT [WWW.HUMPHREY-PRODUCTS.COM](http://WWW.HUMPHREY-PRODUCTS.COM)

- **FIND A DISTRIBUTOR**

Humphrey markets its products through its global distribution network. Click FIND A DISTRIBUTOR to locate one in your local area.

- **ENGINEERED SOLUTIONS**

Can't find exactly what you need? Humphrey has produced custom valves, many of which have been explained in a downloadable case history PDF found in our ENGINEERED SOLUTIONS section.

- **ONLINE PRODUCT GUIDE**

The ONLINE PRODUCT GUIDE is a comprehensive real time catalog of products – both valves and actuators.

- Search by spec or model number.
- List prices shown for all products.
- Specification sheets are in PDF format for easy viewing and download.
- Product drawings in several formats for downloading and using in 3D CAD software.
- Configure your product and email the distributor to Request a Quote.



## HOW TO CONTACT HUMPHREY PRODUCTS

### FACTORY CUSTOMER SERVICE PHONE

1-800-477-8707 or 269-381-5500

### FACTORY CUSTOMER SERVICE FAX

269-381-4113

### FACTORY CUSTOMER SERVICE EMAIL

[webcust@humphrey-products.com](mailto:webcust@humphrey-products.com)

### WEBSITE

[www.humphrey-products.com](http://www.humphrey-products.com)

### TECHNICAL SUPPORT

[webtech@humphrey-products.com](mailto:webtech@humphrey-products.com)

### LITERATURE AND MARKETING REQUESTS

[websales@humphrey-products.com](mailto:websales@humphrey-products.com)

**HUMPHREY IS CUSTOMER DRIVEN...**

For more than 100 years, Humphrey has evolved through product development born of the relevancy to our customer’s needs. We originally began manufacturing gas lights, radiant fires, and water heaters at the turn of the 20th century. Today, we manufacture fluid and process control products for medical devices, green and alternate energy solutions, off-road and specialty transportation applications, testing and analytical equipment, package and conveyor logistics control systems, factory and process automation, and many more. With our focus on you – the customer – Humphrey is driven to find a solution to your fluid control challenge!

**IF IT IS A STANDARD SOLUTION – WE HAVE A PRODUCT FOR THAT!**

We have hundreds of standard products that are readily available through our worldwide distribution network that ensures you receive local, affordable and quality service for all your fluid and process control needs. If you need technical service, you can contact our Technical Service department. Plus, we offer 24/7 information through our website, [www.humphrey-products.com](http://www.humphrey-products.com), where you can download 3D CAD, print product specs, locate your local distributor, and send a Request for Quote to any one of our distributor organizations worldwide.

**Standard products include:**

- Solenoid Valves
- Pilot Operated Valves
- Manual and Mechanical Valves
- Vacuum Control Products
- Quick Exhausts
- Cylinders and other Linear Actuators
- Sensors and accessories



HK5



310



TAC series

**IF IT IS A SIMPLE MODIFICATION – WE HAVE A PRODUCT FOR THAT!**

It may be possible to tailor a standard product to meet your demands. We’ve customized many, so it’s likely we have what you need. Simple modifications can be created quickly and cost-effectively when you’re organized with the needs of your customer in mind. We are problem solvers first, so if you don’t see exactly what you need, please contact your Humphrey representative.



**Stainless Steel Cylinders**  
For more information on our cylinders, visit our website: [www.humphrey-products.com](http://www.humphrey-products.com)

**IF IT IS A COMPLETELY NEW IDEA – THEN YOU JUST MAY NEED HUMPHREY ENGINEERED SOLUTIONS!**

We are fluid handling system experts. We welcome outsourcing opportunities to design and produce solutions where fluid handling goals may be known, but the most cost effective means and resources to get there, may NOT be known. A brief listing of our case histories and the ES process are featured on pages 94-95 of this catalog. Our website provides additional information that further demonstrates our ability to meet design and production challenges. Please visit [www.humphrey-products.com](http://www.humphrey-products.com) and select “ES Case Histories.”



CH-VI1

# DIRECT-ACTING SOLENOID VALVES

## INTRODUCTION

*Direct-Acting Solenoid Valves utilize the force generated by the magnetic field of the solenoid to operate the valve. When the electrical current is removed, a mechanical spring returns the valve to its original position. Small in size, Humphrey Direct-Acting Solenoid Valves are available in M3x0.5, 10-32 UNF, 1/8 PIPE and 1/4 PIPE porting.*

*Humphrey enjoys a rich history of simple, reliable, direct-acting valve design and manufacture, with clients ranging from the critically clean and leak-free biomedical and analytical device industry, to packaging and conveying equipment, to the challenging and rugged environments of truck and bus makers. Our many sizes and designs provide us with a vast array of unique control solutions from which to choose.*

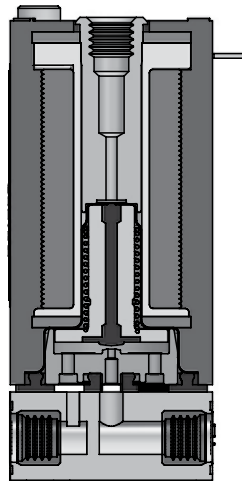
## THE ADVANTAGES OF DIRECT-ACTING VALVES OVER INDIRECT-ACTING SOLENOID VALVES ARE:

- No minimum air pressure required.
- Extremely low leak rates.
- Simple construction and more robust at lower comparable costs.
- Multi-purpose. Typically, the same valve can be applied for multiple uses.
- Alternative media. Suitable for clean, dry air, other gases (bottled or other), or vacuum. Consult factory representative.
- More applicable to customization opportunities. Deviations from catalog specifications are typically welcome, such as greater flow, lower power, faster response times.

## HUMPHREY OFFERS TWO DIRECT-ACTING SOLENOID VALVE DESIGN TYPES:

**UNBALANCED DESIGN:** In this design, the return spring is of sufficient force to seal the valve against the supplied air pressure. Characteristics of unbalanced Direct-Acting Solenoid Valves:

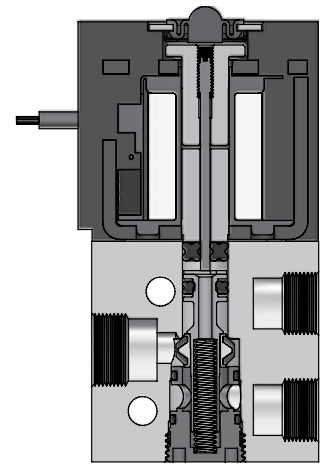
- Very simple, 2- or 3-way construction. Few parts.
- Small size.
- Resultant flow capacity determined by opposing forces of the coil versus the effective area of the air pressure. Valve orifice can be increased with greater current draw, or with reduced air pressure. Consult factory representative for details.
- Low leakage.
- Low cost.



Unbalanced Design – B3E1, Actuated

**BALANCED DESIGN:** In this design, forces of the supplied air pressure are neutralized in the design. As a result, coil force simply must overcome the force of the return spring and minor friction of the seals. Characteristics of balanced Direct-Acting Solenoid Valves:

- Greater flow versus unbalanced designs.
- Simple construction; however, more parts than unbalanced design.
- Available in 2-, 3- or 4-way models.
- Porting flow paths isolated from solenoid section.



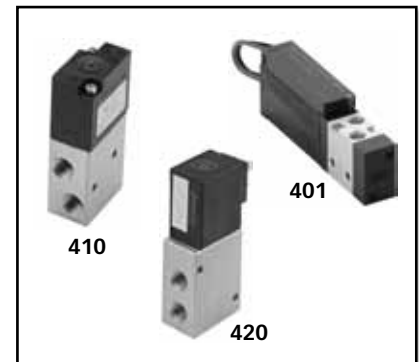
Balanced Design – 310, Unactuated



Three-Way Valves



Three-Way Balanced Valves



Four-Way Valves

<b>2-, 3-WAY VALVES</b>		<b>Ports</b>	<b>CFM*</b>	<b>Valves</b>	<b>Page</b>
<b>SMALL</b>	HG010 Series	10-32, M3x0.5	1	HG010E1, HGA010E1, HG010LE1, HGA010LE1, HG010HE1, HGA010HE1	6
	Mini Mizer Series	10-32	1	B3E1, MB3E1	7
	HK5 Series	10-32	3	HK5, HKL5	8-9
	H030 Series	10-32	3	H030E1, HV030E1, H030E1	11
	310 Series	1/8	10	310, M310, S310	12-13
	315 Series	1/8	25	315	16
	Mini Myte Series	1/8	6	31E1, M31E1	17
<b>LARGE</b>	320 Series	1/4	60	320	14-15
	Tyna Myte 062 Series	1/4	9	062E1, T062E1, 062E2, T062E2	18-19
	Tyna Myte 125 Series	1/4	17	125E1, T125E1, 125E2, T125E2	18-19
<b>4-WAY VALVES</b>		<b>Ports</b>	<b>CFM*</b>	<b>Valves</b>	<b>Page</b>
<b>SMALL</b>	401 Series	10-32	2	401, M401	10
	H030 Series	10-32	5	H030-4E1	11
	410 Series	1/8	10	410, M410, S410	12-13
	Mini Myte Series	1/8	2	41E1, M41E1, MC41E1	17
<b>LARGE</b>	420 Series	1/4	60	420, M420	14-15
	Tyna Myte 062-4 Series	1/4	6	062-4E1, T062-4E1, 062-4E2, T062-4E2	18-19
	Tyna Myte 125-4 Series	1/4	16	125-4E1, T125-4E1	18-19

\*Nominal flow @100 psi



DIRECT-ACTING SOLENOID VALVES

# HG010 Valves

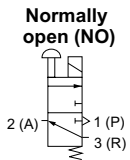
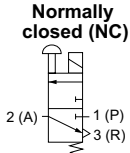
HG010E1, HGA010E1, HG0101E1, HGA010LE1, HG010HE1, HGA010HE1

**HG010 Series features miniature, lightweight, 10mm Direct-Acting Solenoid Valves, ideal for piloting larger pneumatic or process control valves, or for operating small, single-acting cylinders. Available inline or manifold mount (2-20 stations), HG010 valves are M3x0.5, 3-way, normally closed, as standard. They are offered in a variety of voltages and electrical connections, and are equipped with a manual override, as standard.**

## Features and Benefits

- Compact Size.
- Quiet operation. No AC hum.
- Electrical connection options include lead wires or plug-in.
- Three Direct-Acting Types: Standard (1 W, 0.011 Cv); Low Current (0.5 W, 0.006 Cv); High Flow (3.2 W, 0.025 Cv)
- Continuous Duty rated coil.
- Options: Vacuum service (see p. 76), 2-way, Normally Open, Mounting Base.

DIRECT-ACTING SOLENOID VALVES

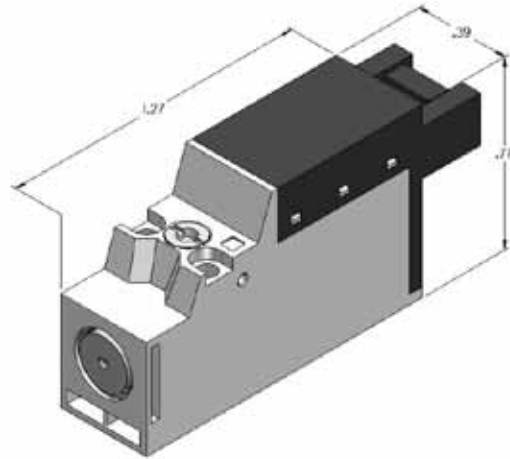


HG010E1



(5) HGA010E1 on HG010M5A

Base Model	Nominal Dimensions (inch)		
	L	H	W
HG(A)010 manifold valve	1.26	0.77	0.39
HG(A)010 individual valve	1.30	1.01	



Manifold Types Available	Overall Size (valves not mounted)	Nominal Dimensions (inch)		
		L	H	D
<b>A Type:</b> Extruded Aluminum. Delivery port 2 located on MANIFOLD. Accepts HGA010 valve models.	Two Station (HG010M2A)	1.35	0.55	0.79
	Each Additional station	0.40		
	Max # of stations	20		
<b>F Type:</b> Extruded Aluminum. Delivery port 2 located on VALVE. Accepts HG010 valve models.	Two Station (HG010M2F)	1.35	0.55	0.79
	Each Additional station	0.40		
	Max # of stations	20		

*Consult website for exact dimensions and additional manifold configurations.*

## SPECIFICATIONS

	Standard	Low Current	High Flow
Design Principle:	Pressure Unbalanced – Spring Return		
Porting Type:	2- or 3-Way		
Port Size:	10-32 UNF, M3x0.5		
Media:	Air, Inert Gas		
Pressure Range:	0–102 PSIG		
Temperature Range:	41°F to 122°F		
Flow @ 100 PSIG:	1 CFM (28 LPM)	0.6 CFM (16 LPM)	2.5 CFM (70 LPM)
Power:	1.0 W	0.5 W	3.2 W
Available Voltages:	5VDC, 6VDC, 12VDC, 24VDC, 120VAC, 240VAC		

## HOW TO OBTAIN SPECIFICATIONS FOR A PARTICULAR VALVE(S)

- ☞ Go directly to [www.humphrey-products.com/dynamic/products](http://www.humphrey-products.com/dynamic/products)
- ☞ Or, visit [www.humphrey-products.com](http://www.humphrey-products.com) and select "Online Product Guide."
- Once you have followed the steps to get the valve you need, select "Download Spec Sheet." Doing this will create a personalized PDF of the valve, which you may save to your computer and print at your convenience. These spec sheets are helpful when placing your order(s).

## HOW TO ORDER HUMPHREY VALVES AND ACCESSORIES

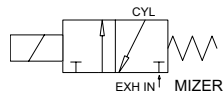
- ☞ Go directly to: [www.humphrey-products.com/?q=content/find-distributor](http://www.humphrey-products.com/?q=content/find-distributor)
- ☞ Or, visit [www.humphrey-products.com](http://www.humphrey-products.com), select "Find A Distributor," and input your information to locate a distributor nearest you.
- Or, call Customer Service at 1-800-477-8707 for the name and phone number of your local distributor.

**HUMPHREY PRODUCTS ARE SOLD WORLD-WIDE THROUGH AUTHORIZED DISTRIBUTORS**

**The Mini Mizer Series, 3-way Direct-Acting Solenoid Valve is designed to accommodate a wide range of pneumatic applications that require high cycling, small size, and low wattage. Available as inline or manifold mount (2-20 stations), this valve is ideal for battery operation, micro-processor controlled or printed circuit board type applications, such as piloting work valves and operating small cylinders and actuators.**

**Features and Benefits**

- Low leak rate.
- Low power consumption.
- Quiet operation. No AC hum.
- Electrical connection options include standard spade terminals, 18" lead wires or DIN type.
- Several mounting options, MTL and DMTL Series Manifolds.
- Optional 1/8 male PIPE port, bottom outlet subbase for plumbing convenience.
- Consult factory representative for greater flow capability.



B3E1



(3) MB3E1 on 4 station MTL Manifold



Manifold Types Available	Overall Size (valves not mounted)	Nominal Dimensions (inch)		
		L	H	D
<b>MTL Manifold:</b> Extruded Aluminum. Single sided. Delivery port OUT located on MANIFOLD. Accepts MB3E1 valve models.	Two Station (MTL2)	2.22	0.75	0.68
	Each Additional station	1.02		
	Max # of stations	10		
<b>DMTL Manifold:</b> Extruded Aluminum. Double sided. Delivery ports TOP and BTM located on MANIFOLD. Accepts MB3E1 valve models.	Two Station (DMTL2)	2.22	0.75	0.68
	Each Additional station	1.02		
	Max # of stations	10 (Accommodates 20 valves)		

*Consult website for exact dimensions.*

**HOW TO OBTAIN SPECIFICATIONS FOR A PARTICULAR VALVE(S)**

- Go directly to [www.humphrey-products.com/dynamic/products](http://www.humphrey-products.com/dynamic/products)
- Or, visit [www.humphrey-products.com](http://www.humphrey-products.com) and select "Online Product Guide."
  - Once you have followed the steps to get the valve you need, select "Download Spec Sheet." Doing this will create a personalized PDF of the valve, which you may save to your computer and print at your convenience. These spec sheets are helpful when placing your order(s).

**HOW TO ORDER HUMPHREY VALVES AND ACCESSORIES**

- Go directly to: [www.humphrey-products.com/?q=content/find-distributor](http://www.humphrey-products.com/?q=content/find-distributor)
- Or, visit [www.humphrey-products.com](http://www.humphrey-products.com), select "Find A Distributor," and input your information to locate a distributor nearest you.
- Or, call Customer Service at 1-800-477-8707 for the name and phone number of your local distributor.

**HUMPHREY PRODUCTS ARE SOLD WORLD-WIDE THROUGH AUTHORIZED DISTRIBUTORS**

**SPECIFICATIONS**

Design Principle:	Pressure Unbalanced – Spring Return
Porting Type:	2- or 3-Way
Port Size:	10-32 UNF
Media:	Air, Inert Gas
Pressure Range:	0–100 PSIG; 28" Hg to 100 PSIG (see Vacuum, p. 76)
Temperature Range:	0°F to 150°F
Flow @100 PSIG:	1 CFM, 28 LPM (Cv=0.01)
Power:	0.5 W DC; 1.0 W AC
Available Voltages:	5VDC, 12VDC, 24VDC, 24/50/60, 120/50/60, 240/50/60

# HK5 Valves

HK5, HKL5

The HK5 Series is based upon the classic Humphrey diaphragm-poppet principle, now in a sub-miniature, balanced design. This proven valve has no sliding seals while isolating coil operation from all wetted parts. The result is multi-media use, multi-purpose functionality, and plumbing conveniences for compact, more difficult valve applications. The short stroke and high flow provides fast response and rapid cycling. The innovative body design allows for versatile plumbing, electrical and mounting features unmatched in the market.

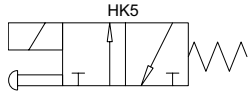
HK5 applications are highlighted by biomedical and analytical equipment, high speed sorting and cylinder cycling, and low pressure liquid and gas control.

## Features and Benefits

- Low leak rate.
- Low power consumption.
- Inert wetted part, construction, assembled clean and dry at the factory.
- Versatile: Multi-purpose functionality.
- Long, trouble-free cycle life expected.
- Quiet operation.
- Electrical connection options include lead wires, plug-in or pins.
- Flexible construction simplifies plumbing and mounting objectives.
- Subbase or manifold mount.
- Vacuum available on p. 76.

## HKL5 Features and Benefits

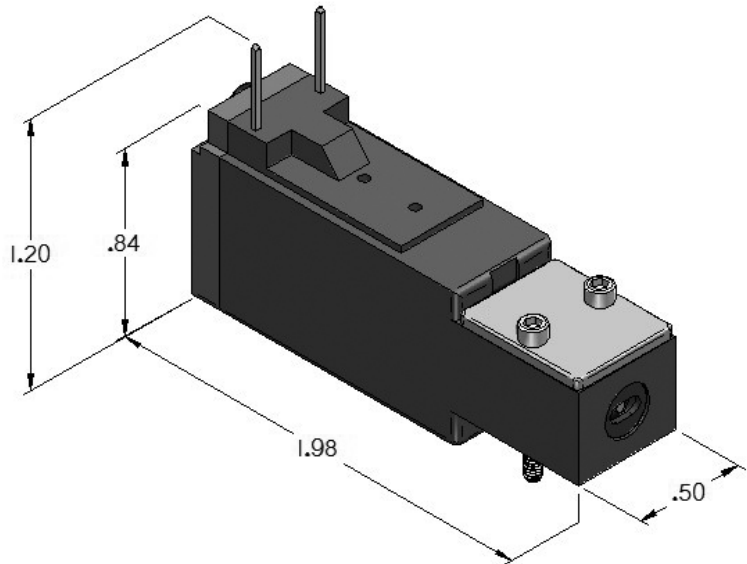
- Designed exclusively for liquid use.



HK5



HKL5 ON SUBBASE



## SPECIFICATIONS

Design Principle: Pressure Balanced – Spring Return

Porting Type: 2- or 3-Way

Port Size: 10-32 UNF

Media: Air, Inert Gas, Liquid (HKL5)

Pressure Range: 28"Hg to 100 PSIG (See Vacuum, p. 76)

Temperature Range: 32°F to 125° (175°/212°F FKM Seals)

Flow @100 PSIG: 3 CFM, 85 LPM (Cv=0.05)

Power: 1.7 W (Consult Factory for 0.9 W)

Available Voltages: 4.5VDC, 12VDC, 24VDC

DIRECT-ACTING SOLENOID VALVES

**Manifolds and Subbases**

Unique configuration of the basic, multi-purpose, HK5 valve permits limitless porting and mounting variations. HK5M manifold accepts up to 12 HK5 valves. Rotate valve 180° on manifold for normally open operation.

Orient valve with electrical connections up or down. 2-way function achieved with valve to manifold gaskets.

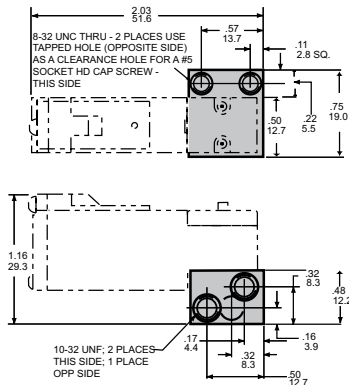
Several single station subbases are available, including:

- S Type (3-way, through porting)
- Y Type (3-way, single surface)
- Z Type (2-way, single surface)

Custom subbase and porting blocks have been developed and are welcomed. Consult factory representative.

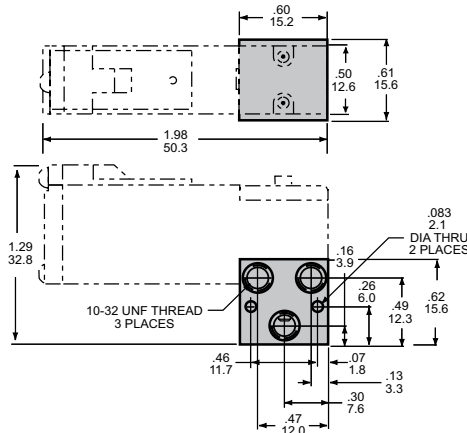
**S Subbase**

2 or 3 way with 10-32 UNF ports



**Y Subbase**

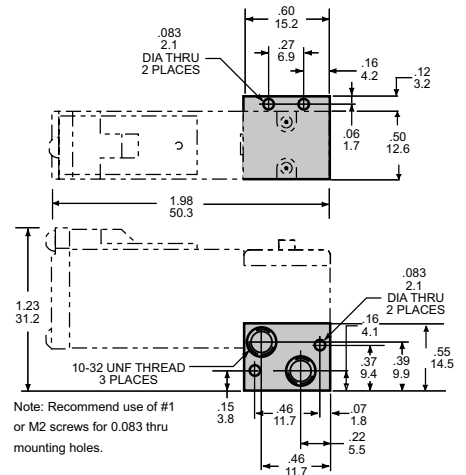
2 or 3 way with 10-32 UNF ports



Shown normally closed. Rotate valve 180 degrees on subbase for normally open operation.

**Z Subbase**

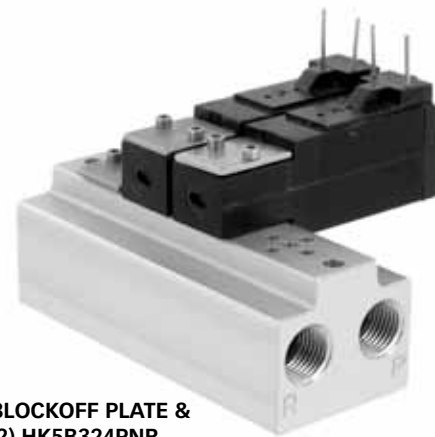
2 way with 10-32 UNF ports



Note: Recommend use of #1 or M2 screws for 0.083 thru mounting holes.

Shown normally closed. Rotate valve 180 degrees on subbase for normally open operation.

Manifold Types Available			
<b>HK5 Manifold:</b> Extruded Aluminum. Single sided. Delivery port located on MANIFOLD. Accepts HK5 valve models. Available in 4, 6, 8, 10, 12 station lengths.			
Overall Size (valves not mounted)	Nominal Dimensions (inch)		
	L	H	D
Four Station ( HK5M04 )	2.76	1.00	1.16
Each Additional 2 stations	1.10		
Max # of stations	12		
Consult website for exact dimensions.			



(1) BLOCKOFF PLATE & (2) HK5B324PNR on M04

DIRECT-ACTING SOLENOID VALVES

**HOW TO OBTAIN SPECIFICATIONS FOR A PARTICULAR VALVE(S)**

- ☞ Go directly to [www.humphrey-products.com/dynamic/products](http://www.humphrey-products.com/dynamic/products)
- ☞ Or, visit [www.humphrey-products.com](http://www.humphrey-products.com) and select "Online Product Guide."
- Once you have followed the steps to get the valve you need, select "Download Spec Sheet." Doing this will create a personalized PDF of the valve, which you may save to your computer and print at your convenience. These spec sheets are helpful when placing your order(s).

**HOW TO ORDER HUMPHREY VALVES AND ACCESSORIES**

- ☞ Go directly to: [www.humphrey-products.com/?q=content/find-distributor](http://www.humphrey-products.com/?q=content/find-distributor)
- ☞ Or, visit [www.humphrey-products.com](http://www.humphrey-products.com), select "Find A Distributor," and input your information to locate a distributor nearest you.
- Or, call Customer Service at 1-800-477-8707 for the name and phone number of your local distributor.



**HUMPHREY PRODUCTS ARE SOLD WORLD-WIDE THROUGH AUTHORIZED DISTRIBUTORS**

# 401 Valves

401, M401

The 401 Series, Micro-Solenoid Valves are the first 10mm Direct-Acting, 5-ported, 4-way valve ever produced. Based on proven balanced poppet design technology, this high flow, miniature valve features low power consumption, electrical plug connectors, surge suppression circuit, indicator light and manual override as standard. Mounting options include inline, subbase, or MOC Series manifolds.

## Features and Benefits

- Low leak rate.
- Low power consumption.
- Sub-miniature, compact design.
- Quiet operation. No AC hum.
- Electrical connection options include lead wires or plug-in.
- Light weight.
- Full pressure range, 0-125 PSIG.
- Use as 3- or 4-way.
- Inline or manifold mount models.
- MOC manifolds available with or without exhaust port flow controls.

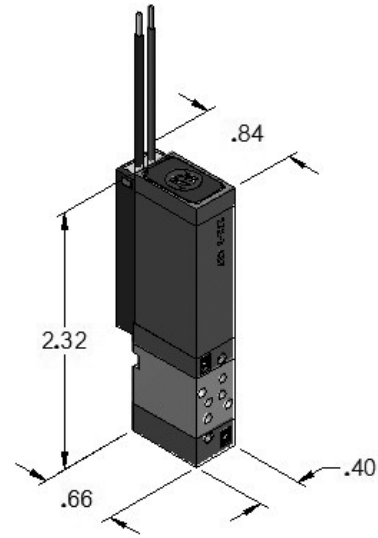
DIRECT-ACTING SOLENOID VALVES



401



(1) BLOCKOFF PLATE and  
(2) M401-37 Valves on  
MOC3 Manifold



Manifold Types Available	Overall Size (valves not mounted)	Nominal Dimensions (inch)		
		L	H	D
<b>MOC Manifold:</b> Extruded Aluminum. Delivery ports 1 and 2 located on MANIFOLD. Accepts M401 valve models.	Two Station (MOC2)	1.58	0.72	1.41
	Each Additional station	0.40		
	Max # of stations	16		
<b>MOC-70 Manifold:</b> Extruded Aluminum. Includes exhaust port flow controls, each station. Delivery ports 1 and 2 located on MANIFOLD. Accepts M401 valve models.	Two Station (MOC2-70)	1.58	0.72	1.41
	Each Additional station	0.40		
	Max # of stations	16		

*Consult website for exact dimensions and additional manifold configurations.*

## SPECIFICATIONS

Design Principle:	Pressure Balanced – Spring Return
Porting Type:	4-Way
Port Size:	10-32 UNF
Media:	Air, Inert Gas
Pressure Range:	0–125 PSIG
Temperature Range:	32°F to 125°F
Flow @100 PSIG:	3.5 CFM, 56 LPM (Cv=0.03)
Power:	2.0 W
Available Voltages:	5VDC, 12VDC, 24VDC, 120/50/60

## HOW TO OBTAIN SPECIFICATIONS FOR A PARTICULAR VALVE(S)

- ☞ Go directly to [www.humphrey-products.com/dynamic/products](http://www.humphrey-products.com/dynamic/products)
- ☞ Or, visit [www.humphrey-products.com](http://www.humphrey-products.com) and select "Online Product Guide."
- Once you have followed the steps to get the valve you need, select "Download Spec Sheet." Doing this will create a personalized PDF of the valve, which you may save to your computer and print at your convenience. These spec sheets are helpful when placing your order(s).

## HOW TO ORDER HUMPHREY VALVES AND ACCESSORIES

- ☞ Go directly to: [www.humphrey-products.com/?q=content/find-distributor](http://www.humphrey-products.com/?q=content/find-distributor)
- ☞ Or, visit [www.humphrey-products.com](http://www.humphrey-products.com), select "Find A Distributor," and input your information to locate a distributor nearest you.
- Or, call Customer Service at 1-800-477-8707 for the name and phone number of your local distributor.

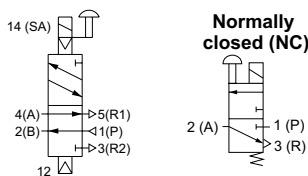
**HUMPHREY PRODUCTS ARE SOLD WORLD-WIDE THROUGH AUTHORIZED DISTRIBUTORS**

**H030 Series are small, Direct-Acting 3-way Solenoid Valves, ideal for piloting larger pneumatic or process control valves, or for operating small, single-acting cylinders. Available inline or manifold mount (2-20 stations), H030 valves are 10-32 UNF ported, normally closed, as standard. They are offered in a variety of voltages and electrical connections, and are equipped with a manual override, as standard.**

**H030-4E1 4-way valve is also available to complement the H030E1 in factory automation uses, inline or manifold mount.**

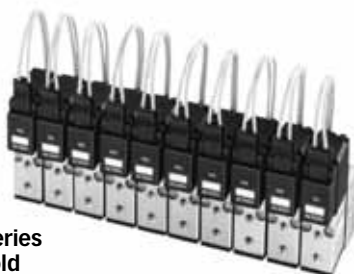
## Features and Benefits

- Compact Size
- Quiet operation. No AC hum.
- Electrical connection options include lead wires, plug-in, or DIN-type.
- Low Current Consumption.
- Continuous Duty rated coil.
- Options: Vacuum service (HV030E1), 2-way, Mounting Base.
- Three manifolds: 3-way exclusive; 3-way and 4-way with 10-32 UNF ports; 3-way and 4-way with 1/8 PIPE port supply ports.



H030E1

H030-4E1



(10) H030 Series on Manifold

Base Model	Nominal Dimensions (inch)		
	L	H	W
H030E1	1.90	0.95	0.59
H030-4E1	2.39		

## Manifold Types Available

**T Type Manifold:** Extruded Aluminum. Delivery port 2 located on VALVE. Accepts H030E1 or HV030E1 valve models.

**F Type Manifold:** Extruded Aluminum. Delivery ports 2 and 4 located on VALVE. Accepts all H030 valve models.

Overall Size (valves not mounted)	Nominal Dimensions (inch)		
	L	H	D
<b>T Type:</b> Two Station ( HYM2T )	1.26	0.59	0.79
Each Additional Station	0.63		
Max # of stations	10		
<b>F Type:</b> Two Station ( HYM2F )	1.26	0.59	1.38
Each Additional Station	0.63		
Max # of stations	10		
<i>Consult website for exact dimensions.</i>			

## HOW TO OBTAIN SPECIFICATIONS FOR A PARTICULAR VALVE(S)

- ☞ Go directly to [www.humphrey-products.com/dynamic/products](http://www.humphrey-products.com/dynamic/products)
- ☞ Or, visit [www.humphrey-products.com](http://www.humphrey-products.com) and select "Online Product Guide."
  - Once you have followed the steps to get the valve you need, select "Download Spec Sheet." Doing this will create a personalized PDF of the valve, which you may save to your computer and print at your convenience. These spec sheets are helpful when placing your order(s).

## HOW TO ORDER HUMPHREY VALVES AND ACCESSORIES

- ☞ Go directly to: [www.humphrey-products.com/?q=content/find-distributor](http://www.humphrey-products.com/?q=content/find-distributor)
- ☞ Or, visit [www.humphrey-products.com](http://www.humphrey-products.com), select "Find A Distributor," and input your information to locate a distributor nearest you.
  - Or, call Customer Service at 1-800-477-8707 for the name and phone number of your local distributor.

**Humphrey HUMPHREY PRODUCTS ARE SOLD WORLD-WIDE THROUGH AUTHORIZED DISTRIBUTORS**

## SPECIFICATIONS

Design Principle:	Pressure Unbalanced – Spring Return
Porting Type:	2-, 3- or 4-Way
Port Size:	10-32 UNF
Media:	Air, Inert Gases
Pressure Range:	3-Way: 28"Hg–100 PSIG 4-Way: 20–100 PSIG
Temperature Range:	41°F to 122°F
Flow @100 PSIG:	3.5 CFM, 141 LPM (Cv=0.03)
Power:	1.6 W
Available Voltages:	12VDC, 24VDC, 120VAC, 240VAC

## 310/410 Valves

310, S310, 410, S410, M310, M410

*Humphrey's popular valve series, the 310 and 410 solenoid valves, provide outstanding performance and reliability in a simple, versatile design. The pressure-balanced poppet, direct-acting operating principle provides multi-purpose functionality in a compact body.*

**310:** 2- or 3-way, normally closed or open

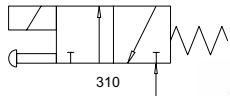
**410:** 4-way

**410-70:** 4-way with integral flow controls

*Available in several mounting options, as inline, stackable or manifold mount. The new 410M manifold accepts the standard 310 and 410 inline valves for a low cost manifold solution.*

### Features and Benefits:

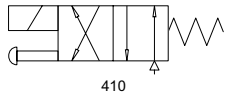
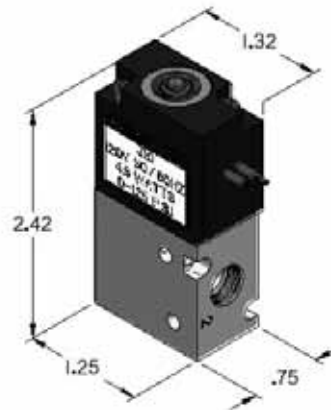
- Compact, high flow construction.
- Quiet operation. No AC hum.
- Electrical connection options include lead wires, DIN-type or conduit.
- Short stroke, fast response, poppet design.
- Low leak rate.
- Reliable, tolerant of difficult ambient/media conditions.
- Order "V310" for multi-purpose 3-port use, for pressure or vacuum, diverter or selector. See Vacuum, p. 76-77.
- Use 410 as universal valve, 3-way or 4-way, multi-purpose.
- Available in common AC or DC voltages.



310



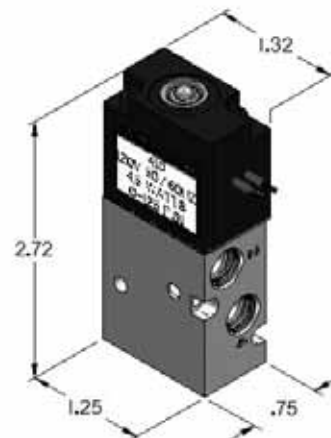
310



410



410



### SPECIFICATIONS FOR 310 AND 410

Design Principle: Pressure Balanced – Spring Return

Porting Type: 2-, 3- or 4-Way

Port Size: 1/8 PIPE

Media: Air, Inert Gases

Pressure Range: 28"Hg to 125 PSIG (see Vacuum, p. 76-77)

Temperature Range: 32°F to 125°F

Flow @100 PSIG: 10 CFM, 283 LPM (CV=0.15)

Power: 4.5 W

Available Voltages: 12VDC, 24VDC, 24/50/60, 120/50/60, 240/50/60

**Manifolds and Subbases**

310 and 410 series valves are available in three mounting/porting types: Inline, Stackable, and Manifold.

- **Inline:** 310, 410 and 410-70 valves can be individually mounted via body mounting holes or hard plumb mount. **410M Manifolds** accept inline valves, are low profile/cost effective, and ideal for OEM applications. Manifolds are shipped with gaskets and screws.

- **Stackable:** S310, S410 and S410-70 valves “stack” together with tie-rods, gaskets and end plate kit (PN 7-900A) for a compact, expandable solution.
- **Manifold:** M310, M410 and M410-70 valves are base piping types to permit manifold mounting to SM manifolds. Ports 1, 2, 3 and 4 located in manifold for convenient valve replacement without disturbing the plumbing.



**410M**  
Accepts 310 and/or  
410 Series Inline Valves  
(410M6 shown)



**S410, S410-70,  
and S310**  
Stackable Assembly



**(8) M310 Valves on  
SM8 Manifold**

DIRECT-ACTING SOLENOID VALVES

Stackable Valve and Manifold Types Available	Overall Size (valves not mounted)	Nominal Dimensions (inch)		
		L	H	D
<b>410M Manifold:</b> Extruded Aluminum. Delivery port 2 and 4 located on VALVE. Accepts 310 and 410 valve models.	Two Station ( 410M2 )	2.69	0.89	1.57
	Each Additional station	0.76		
	Max # of stations	12		
<b>Stackable Valve Type:</b> Extruded Aluminum End Plates for Stackable Valves. Delivery port 2 and 4 located on VALVE. Available in S310 and S410 valve models.	Two Valves plus End Plates	1.94	2.82	1.86
	Each Additional Valve	0.75		
	Max # of stations	12		
<b>SM Manifold:</b> Extruded Aluminum. Delivery ports 1 and 2 located on MANIFOLD. Accepts M310 and M410 valve models.	Two Station ( SM2 )	1.94	2	1.62
	Each Additional station	0.75		
	Max # of stations	12		

*Consult website for exact dimensions and additional manifold configurations.*

**HOW TO OBTAIN SPECIFICATIONS FOR A PARTICULAR VALVE(S)**

- Go directly to [www.humphrey-products.com/dynamic/products](http://www.humphrey-products.com/dynamic/products)
- Or, visit [www.humphrey-products.com](http://www.humphrey-products.com) and select "Online Product Guide."
- Once you have followed the steps to get the valve you need, select "Download Spec Sheet." Doing this will create a personalized PDF of the valve, which you may save to your computer and print at your convenience. These spec sheets are helpful when placing your order(s).

**HOW TO ORDER HUMPHREY VALVES AND ACCESSORIES**

- Go directly to: [www.humphrey-products.com/?q=content/find-distributor](http://www.humphrey-products.com/?q=content/find-distributor)
- Or, visit [www.humphrey-products.com](http://www.humphrey-products.com), select "Find A Distributor," and input your information to locate a distributor nearest you.
- Or, call Customer Service at 1-800-477-8707 for the name and phone number of your local distributor.



**HUMPHREY PRODUCTS ARE SOLD WORLD-WIDE THROUGH AUTHORIZED DISTRIBUTORS**

## 320/420 Valves

320, 420, M420

**The 320 and 420 Series Direct-Acting Solenoid Valves have a maximum performance balanced poppet, achieving high flow rates of 1.0 Cv, in a compact design. No air supply lubrication is required. Continuous duty molded coil and Class B insulation system provides long hours in tough-working conditions.**

**320: Multi-purpose universal 3-way valve.**

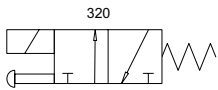
**420: Multi-purpose universal 4-way valve.**

**420 Series valves also available as a manifold mount, model M420.**

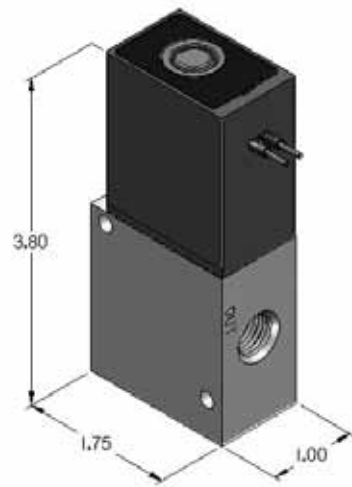
### Features and Benefits

- Multi-purpose: Normally closed, normally open, selector or diverter, pressure or vacuum, 2-, 3- or 4-way.
- Quiet operation. No AC hum.
- Low leak rate.
- Electrical connection options include lead wires, conduit connector, or DIN connector.
- Available with UR rating. Contact factory representative.
- Non-locking manual override: Standard. Optional, no override order Code 87.
- Mount in any position – inline, body mounting holes or mounting bracket.

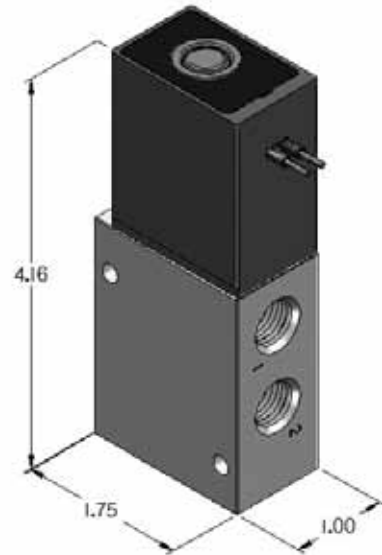
DIRECT-ACTING SOLENOID VALVES



320



420



### SPECIFICATIONS FOR 320 AND 420

Design Principle: Pressure Balanced – Spring Return

Porting Type: 3- or 4-Way

Port Size: 1/4 PIPE

Media: Air, Inert Gas

Pressure Range: 28"Hg to 125 PSIG (see Vacuum, p. 77)

Temperature Range: 32°F to 125°F

Flow @100 PSIG: 60 CFM, 1699 LPM (Cv=1.0)

Power: 8 W

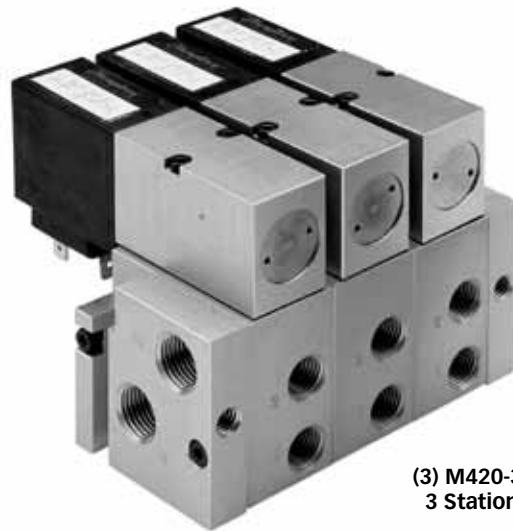
Available Voltages: 12VDC, 24VDC, 24/50/60, 120/50/60, 240/50/60

**Manifold**

M420 series valves are multi-purpose 4-way, base piping types to permit mounting to manifolds and subbases. The high flow (1 Cv) M420 series can be used as 2- or 3-way valves, in normally closed or normally open function, as 4-way valves, or as diverter or selector function.

**Subbase:** Mount M420 valve to SB-2 subbase with 7-200A end plate kit. Subbase permits convenient valve replacement without disturbing the plumbing.

**Manifold:** Stack several SB-2 subbases together and with one 7-200A end plate for multiple valve manifold. Mount M420 to each subbase. Ports 1, 2, 3 and 4 located in manifold for convenient valve replacement without disturbing the plumbing.



(3) M420-39 Valves Mounted to 3 Station Manifold Assembly

Manifold Types Available	Overall Size (valves not mounted)	Nominal Dimensions (inch)		
		L	H	D
SB2 Subbase: Extruded Aluminum sub-bases held together by 7-200A end plates. Delivery ports 1 and 2 located on MANIFOLD. Accepts M420 valve model.	Two Valves with End Plates	3.38	2.22	2.25
	Each Additional Valve	1.19		
	Max # of stations	12		

*Consult website for exact dimensions and additional manifold configurations.*

**HOW TO OBTAIN SPECIFICATIONS FOR A PARTICULAR VALVE(S)**

- ☞ Go directly to [www.humphrey-products.com/dynamic/products](http://www.humphrey-products.com/dynamic/products)
- ☞ Or, visit [www.humphrey-products.com](http://www.humphrey-products.com) and select "Online Product Guide."
- Once you have followed the steps to get the valve you need, select "Download Spec Sheet." Doing this will create a personalized PDF of the valve, which you may save to your computer and print at your convenience. These spec sheets are helpful when placing your order(s).

**HOW TO ORDER HUMPHREY VALVES AND ACCESSORIES**

- ☞ Go directly to: [www.humphrey-products.com/?q=content/find-distributor](http://www.humphrey-products.com/?q=content/find-distributor)
- ☞ Or, visit [www.humphrey-products.com](http://www.humphrey-products.com), select "Find A Distributor," and input your information to locate a distributor nearest you.
- Or, call Customer Service at 1-800-477-8707 for the name and phone number of your local distributor.



**HUMPHREY PRODUCTS ARE SOLD WORLD-WIDE THROUGH AUTHORIZED DISTRIBUTORS**

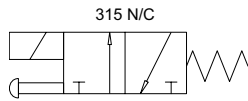
**The 315 Series Solenoid Valves have 1/8 PIPE ports and 1/8" orifice. They are direct-acting, single solenoid, balanced poppet valves with no sliding seals, featuring high flow rates and a compact design while isolating coil operation from all wetted parts. No air supply lubrication is required. Continuous-duty molded coil and Class B insulation system provides trouble-free service in tough-working conditions.**

**The 315 Series Valves have several mounting options: Inline, body mounting holes, or on 315M Series Manifolds.**

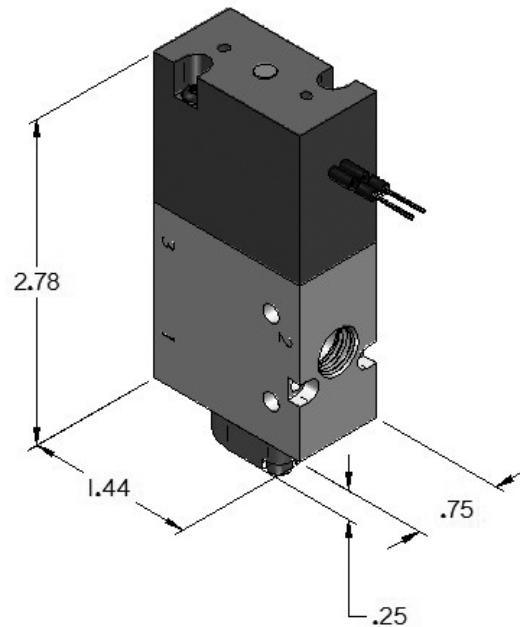
### Features and Benefits

- Low leak rate.
- Multi-purpose: Valve can be plumbed, normally closed, normally open or as selector or divertor.
- Quiet operation. No AC hum.
- Compact, high flow (0.4 Cv)
- Electrical connection options are lead wires or DIN type connector.
- Non-locking manual override – standard.
- Mount in any position – Inline or 315M Manifold Series.

DIRECT-ACTING SOLENOID VALVES



(2) 315 Valves on 315M4



Manifold Types Available	Overall Size (valves not mounted)	Nominal Dimensions (inch)		
		L	H	D
315M Manifold: Extruded Aluminum. Delivery port 2 located on VALVE. Accepts 315 valve model.	Two Station ( 315M2 )	2.74	0.79	1.58
	Each Additional station	0.78		
	Max # of stations	12		

*Consult website for exact dimensions and additional manifold configurations.*

### SPECIFICATIONS

Design Principle:	Pressure Balanced – Spring Return
Porting Type:	2- or 3-Way
Port Size:	1/8 PIPE
Media:	Air, Inert Gas
Pressure Range:	0–110 PSIG
Temperature Range:	32°F to 125° F
Flow @100 PSIG:	25 CFM, 707 LPM (Cv=0.4)
Power:	5 W
Available Voltages:	12VDC, 24VDC, 24/50/60, 120/50/60

### HOW TO OBTAIN SPECIFICATIONS FOR A PARTICULAR VALVE(S)

- ☞ Go directly to [www.humphrey-products.com/dynamic/products](http://www.humphrey-products.com/dynamic/products)
- ☞ Or, visit [www.humphrey-products.com](http://www.humphrey-products.com) and select "Online Product Guide."
- Once you have followed the steps to get the valve you need, select "Download Spec Sheet." Doing this will create a personalized PDF of the valve, which you may save to your computer and print at your convenience. These spec sheets are helpful when placing your order(s).

### HOW TO ORDER HUMPHREY VALVES AND ACCESSORIES

- ☞ Go directly to: [www.humphrey-products.com/?q=content/find-distributor](http://www.humphrey-products.com/?q=content/find-distributor)
- ☞ Or, visit [www.humphrey-products.com](http://www.humphrey-products.com), select "Find A Distributor," and input your information to locate a distributor nearest you.
- Or, call Customer Service at 1-800-477-8707 for the name and phone number of your local distributor.

**HUMPHREY PRODUCTS ARE SOLD WORLD-WIDE THROUGH AUTHORIZED DISTRIBUTORS**

The Mini-Myte Series 3- and 4-way solenoid valves are direct operating using a poppet design and limited sliding seals, providing reliable, smooth performance and long service life. Valves can mount in any position (base, body mounting holes or inline) and there are several mounting options, including the rugged, extruded aluminum MMC and MM Series manifolds.

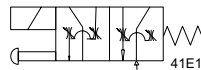
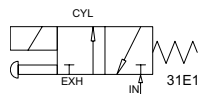
**(M)31E1: Universal 3-way, inline or manifold.**

**(M)41E1: 4-way, inline or manifold.**

**MC41E1: Manifold 4-way, captive exhaust.**

## Features and Benefits

- Low leak rate.
- Quiet operation. No AC hum.
- 3-way: Normally closed, normally open or as a selector or diverter, depending upon port selections.
- Furnished with push-in grommet or snap-in 1/2" conduit connector electrical connection.
- Non-locking manual override standard.
- 4-way models include exhaust port speed controllers, standard.



31E1



41E1



31E1



41E1



M41E1, M31E1 MMC-3



M41E1, M31E1 MM-3

### Manifold Types Available

**MM Manifold:** Extruded Aluminum. Common IN, Exhaust via valve. Delivery ports NO and NC located on MANIFOLD. Accepts both M31E1 and M41E1 valve models.

**MMC Manifold:** Extruded Aluminum. Common IN, Common Exhaust via manifold. Delivery ports NO and NC located on MANIFOLD. Accepts both M31E1 and MC41E1 valve models.

Overall Size (valves not mounted)	Nominal Dimensions (inch)		
	L	H	D
<b>MM Manifold:</b> Two Station (MM2)	2.79	0.75	1.25
Each Additional station	1.25		
Max # of stations	12		
<b>MMC Manifold:</b> Two Station (MMC2)	2.79	1.25	1.25
Each Additional station	1.25		
Max # of stations	12		


*Consult website for exact dimensions.*

### HOW TO OBTAIN SPECIFICATIONS FOR A PARTICULAR VALVE(S)

- Go directly to [www.humphrey-products.com/dynamic/products](http://www.humphrey-products.com/dynamic/products)
- Or, visit [www.humphrey-products.com](http://www.humphrey-products.com) and select "Online Product Guide."
- Once you have followed the steps to get the valve you need, select "Download Spec Sheet." Doing this will create a personalized PDF of the valve, which you may save to your computer and print at your convenience. These spec sheets are helpful when placing your order(s).

### HOW TO ORDER HUMPHREY VALVES AND ACCESSORIES

- Go directly to: [www.humphrey-products.com/?q=content/find-distributor](http://www.humphrey-products.com/?q=content/find-distributor)
- Or, visit [www.humphrey-products.com](http://www.humphrey-products.com), select "Find A Distributor," and input your information to locate a distributor nearest you.
- Or, call Customer Service at 1-800-477-8707 for the name and phone number of your local distributor.

 HUMPHREY PRODUCTS ARE SOLD WORLD-WIDE THROUGH AUTHORIZED DISTRIBUTORS

### SPECIFICATIONS

Design Principle:	Pressure Unbalanced – Spring Return
Porting Type:	3- or 4-Way
Port Size:	1/8 PIPE
Media:	Air, Inert Gas
Pressure Range:	0-100 PSIG
Temperature Range:	32° to 130° F
Flow@100 PSIG:	31E1: 6 CFM, 169 LPM (Cv=0.1) 41E1: 2 CFM, 56 LPM (Cv=0.03)
Power:	31E1: 8.5 W 41E1: 7.0 W
Available Voltages:	12VDC, 24VDC, 24/50/60, 120/50/60, 240/50/60

## Tyna-Myte 062 and Tyna-Myte 125 Valves

062-4E1, T062-4E1, 062-4E2, T062-4E2, 062E1, T062E1, 062E2, T062E2; 125-4E1, T125-4E1, 125E1, T125E1, 125E2, T125E2

The Humphrey Tyna-Myte Series of Direct-Acting Solenoid Valves are available in two flow capacities. The 1/16" orifice 062 Series and the 1/8" orifice 125 Series are available as a 2-, 3- or 4-way configurations. Valves feature a unique direct-acting design that does not require air supply lubrication. Conical poppets move in and out of mating seats; the absence of sliding seals or any metal-to-metal contact provides high reliability and long-cycle life. A controlled stroke length provides fast response and longer poppet life. Tyna-Myte Valves have several mounting options, including inline or the rugged, extruded aluminum TM Series manifolds.

### Features and Benefits

- Quiet operation. No AC hum.
- Designed for rugged duty and rapid cycling, and long poppet life.
- Low leak rate.
- Electrical connections include grommet cover or conduit.
- 4-way models offered with optional exhaust speed controllers.

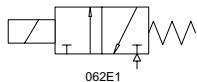
**062E:** 2- or 3-way, single or double solenoid.

**062-4E:** 4-way, single or double solenoid.

**125E:** 2- or 3-way, single or double solenoid.

**125-4E:** 4-way, single solenoid.

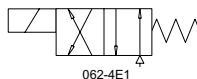
DIRECT-ACTING SOLENOID VALVES



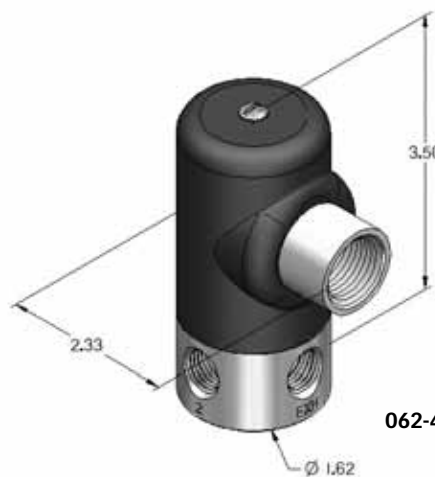
T062E1



062E1



T062-4E1

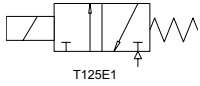


062-4E2

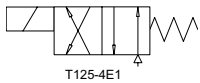
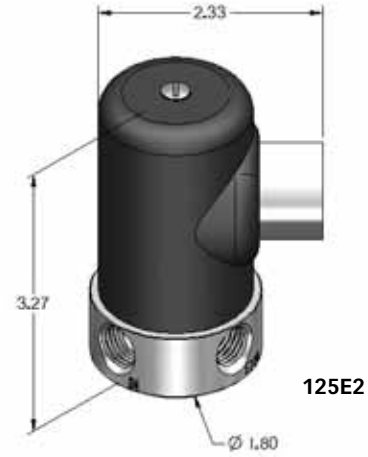
### SPECIFICATIONS FOR T062E, T062-4E, T125E AND T125-4E

Design Principle:	Pressure Unbalanced – Spring Return
Porting Type:	2-, 3- or 4-Way
Port Size:	1/4 PIPE
Media:	Air, Inert Gas
Pressure Range:	0-125 PSIG; 0-29.5" HG (see Vacuum, p. 77)
Temperature Range:	-30°F to 150°F; E2: 30–125 PSIG

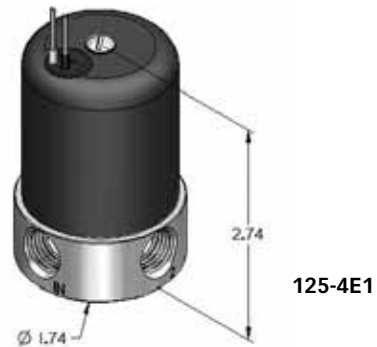
Flow @100 PSIG:	062: 9 CFM, 254 LPM (Cv=0.14)
	062-4: 6 CFM, 169 LPM (Cv=0.1)
	125E1: 17 CFM, 481 LPM (Cv=0.3)
	125-4E1: 16 CFM, 453 LPM (Cv=0.3)
Power:	6.7 W
Available Voltages:	12VDC, 24VDC, 24/50-/60, 120/5060, 240/50/60



**T125E1**



**T125-4E1**



Manifold Types Available	Overall Size (valves not mounted)	Nominal Dimensions (inch)		
		L	H	D
<b>TM Manifold:</b> Extruded Aluminum. Delivery ports 1 and 2 located on MANIFOLD. Accepts T062, T062-4E1, T125, T125-4E1 valve models.	Two Station ( TM2 )	4.57	1.06	1.67
	Each Additional station	2.38		
	Max # of stations		12	

*Consult website for exact dimensions and additional manifold configurations.*

**HOW TO OBTAIN SPECIFICATIONS FOR A PARTICULAR VALVE(S)**

- ☞ Go directly to [www.humphrey-products.com/dynamic/products](http://www.humphrey-products.com/dynamic/products)
- ☞ Or, visit [www.humphrey-products.com](http://www.humphrey-products.com) and select "Online Product Guide."
- Once you have followed the steps to get the valve you need, select "Download Spec Sheet." Doing this will create a personalized PDF of the valve, which you may save to your computer and print at your convenience. These spec sheets are helpful when placing your order(s).

**HOW TO ORDER HUMPHREY VALVES AND ACCESSORIES**

- ☞ Go directly to: [www.humphrey-products.com/?q=content/find-distributor](http://www.humphrey-products.com/?q=content/find-distributor)
- ☞ Or, visit [www.humphrey-products.com](http://www.humphrey-products.com), select "Find A Distributor," and input your information to locate a distributor nearest you.
- Or, call Customer Service at 1-800-477-8707 for the name and phone number of your local distributor.



**HUMPHREY PRODUCTS ARE SOLD WORLD-WIDE THROUGH AUTHORIZED DISTRIBUTORS**

# INDIRECT-ACTING SOLENOID VALVES

## INTRODUCTION

*Indirect-Acting Solenoid Valves utilize a small Humphrey Direct-Acting Solenoid Valve to pneumatically operate a larger Air-Pilot Valve, thus achieving high-flow capacity in smaller overall sizes and low power consumption. Indirect-Acting Solenoid Valves are the popular choice for operating pneumatic cylinders and actuators where the pneumatic pressures are typically set to 30-100 PSIG. High internal shifting forces can be achieved resulting in reliable operation and long, trouble-free service.*

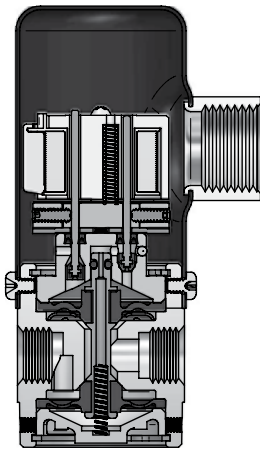
Although, **INDIRECT-ACTING SOLENOID VALVES** are essentially two pneumatic valves in one package. Their advantages over Direct-Acting Valves are:

- Greater shifting forces.
- Smaller overall size, relative to flow.
- Lower power consumption, relative to flow and size.
- Greater variety. 2-, 3-, or 4-way; 2- or 3-position.
- Several valve manifold variations available, when many cylinders and actuators need to be operated.

Available in sub-miniature M3x0.5 porting through large 3/4 PIPE in 2-, 3- and 4-way models, they are the ideal choice for factory automation applications.

**SQUARE TYPE:** Features a low friction, lip-seal, spool design offered as inline or manifold mount. Square types are a compact, modern design with power consumptions as low as 0.1 Watt and flow capacities as great as 1.0 Cv. The line up includes single or double solenoid, 2- or 3-position valves.

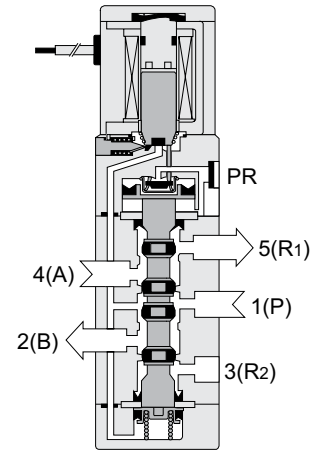
**ROUND TYPE:** Features the classic Humphrey diaphragm-poppet valve principle known for its reliability in clean, lubrication free environments, as well as a workhorse in poor air quality conditions.



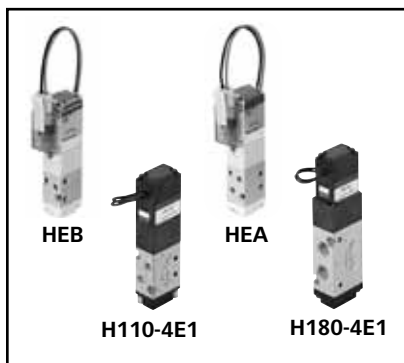
250E1 Series  
Round Type, Unactuated

### INDIRECT-ACTING SOLENOID VALVE FEATURES:

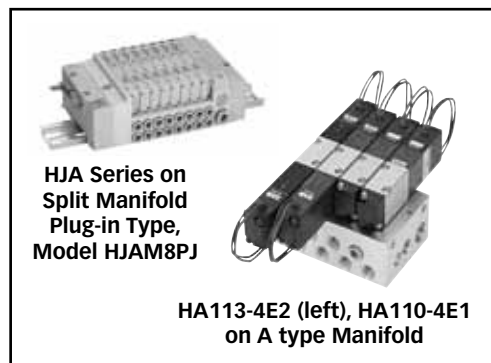
- Compact Size.
- Low power consumption.
- High flow.
- No lubrication required.
- 2- or 3-position.
- Variety of options.



H180-4E1 Series  
Square Type, Unactuated



Square Type Valve Offering



Square Type Valve Offering  
Manifolds



Round Type Valve Offering

INDIRECT-ACTING SOLENOID VALVES

<b>2-, 3-WAY VALVES</b>		<b>Ports</b>	<b>CFM*</b>	<b>Valves</b>	<b>Page</b>
<b>SMALL</b>	HEB Series	10-32, M3x0.5	5	HEB10F, HEB10A	22-23
	HJA Series	1/8	11	HJA10A	26-27
	250 Series	1/4	50	250(A)E1, 250(A)E2	36
<b>LARGE</b>	500 Series	1/2	160	500(A)E1, 500(A)E2	38
	501 Series	1/2	220	501E1, 501E2	39
	590 Series	3/4	260	590(A)E1, 590(A)E2	38

<b>4-WAY VALVES</b>		<b>Ports</b>	<b>CFM*</b>	<b>Valves</b>	<b>Page</b>
<b>SMALL</b>	HEA Series	10-32, M3x0.5	5	HEA10F, HEA10A	22-23
	HJA Series	1/4	11	HJA10A	26-27
	HJC Series	10-32	12	HJC10F, HJC10A	24-25
	HJE Series	1/8	32	HJE12F, HJE12A	24-25
	F10 Series	10-32	16	F10T(0,1,2,3,4,5)	28-29
	F15 Series	1/8	33	F15T(0,1,2,3,4,5)	28-29
	H110 Series	10-32	14	H(A)110-4E1(2), H(A)113-4E2	32-33
	H180 Series	1/8	33	H(A)180-4E1(2), H(A)183-4E2	32-33
<b>LARGE</b>	F18 Series	1/4, 1/8	60	F18T(0,1,2,3,4,5)	30-31
	H240 Series	1/4	53	H240-4E, HA240-4E, HW240-4E, H243-4E, HA243-4E, HW243-4E	34-35
	250-4 Series	1/4	50	250-4E1, 250-4E2	37
	TAC3 Series	1/4	31	(M)42E1, (M)42E2, (M)42AE1, (M)42AE2	40-41
	501-4 Series	1/2	170	501-4E1, 501-4E2	39

*\*Nominal flow @100 psi*



# HEA, HEB Valves

HEA10F, HEA10A, HEB10F, HEB10A

The HEA/HEB Series Indirect-Acting Solenoid, directional control valves feature a miniature 10mm size, high flow 0.07 Cv, and low 0.55 Watt power consumption. The next generation of H040/H041 Series are interchangeable. These inline or manifold mount valves are a popular choice for operating small bore cylinders. Fast response or ultra low current consumption solenoids are optional.

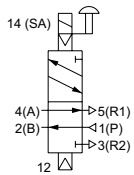
**HEB Series:** Family of 2- or 3-way valves.

**HEA Series:** Family of 2-, 3- and 4-way valves.

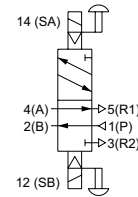
## Features and Benefits

- Small, compact 10mm size.
- Low power consumption.
- High flow.
- DC voltages.
- Manual override standard.
- Electrical connection options include lead wires or plug-in.
- Grommet type, lead wire valves offer moisture resistant specification – standard.
- Clean appearance.
- Options: Fast response solenoid (6 ms), low current solenoid (0.15 W)

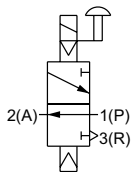
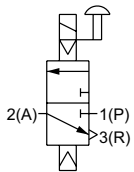
INDIRECT-ACTING SOLENOID VALVES



HEA



HEA Double Solenoid



HEB

Base Model	Nominal Dimensions (inch)		
	L	H	W
HEB10__ single solenoid only	2.09	0.87	0.39
HEA10A__ single solenoid	2.23		
HEA10A__ double solenoid	3.36		

## SPECIFICATIONS

Design Principle: HEB: Pressure Balanced – Air Return  
HEA: Pressure Balanced – Air Return

Porting Type: 2-, 3-, 4-Way

Port Size: 10-32 UNF, M3x0.5

Media: Air

Pressure Range: 29–102 PSIG

Temperature Range: 41°F to 122°F

Flow @100 PSIG: 5 CFM, 141 LPM (Cv=0.08)

Power: 0.55 W

Available Voltages: 5VDC, 6VDC, 12VDC, 24VDC

**AVAILABLE VALVE TYPES – HEB AND HEA SERIES ... CONSULT WEBSITE FOR MODEL NUMBERS**

**HEA Series**

**For Direct Piping, or F Type Manifold:**

- 2-position, single solenoid, 4-way
- 2-position, double solenoid, 4-way

**For Base Piping, or A-Type Manifolds:**

- Normally closed, single solenoid, 2-way
- Normally open, single solenoid, 2-way
- Normally closed, single solenoid, 3-way
- Normally open, single solenoid, 3-way
- 2-position, single solenoid, 4-way
- 2-position, double solenoid, 4-way

**HEB Series**

**For Direct Piping, or F Type Manifold:**

- Normally closed, single solenoid, 2-way
- Normally open, single solenoid, 2-way
- Normally closed, single solenoid, 3-way
- Normally open, single solenoid, 3-way

**For Base Piping, or A-Type Manifolds:**

- Normally closed, single solenoid, 2-way
- Normally open, single solenoid, 2-way
- Normally closed, single solenoid, 3-way
- Normally open, single solenoid, 3-way



HEB Series on HEBM4A Manifold



HEA series on HEAM8F Manifold

INDIRECT-ACTING SOLENOID VALVES

Manifold Types Available	Overall Size (valves not mounted)	Nominal Dimensions (inch)		
		L	H	D
<b>A Type ( HEAM_A, HEBM_A ):</b> Extruded Aluminum. Delivery ports 2 and 4 located on MANIFOLD. Accepts base piping HEA10A_ (HEB10A_) valve models.	Two Station ( __M2A )	1.63	0.83 (0.67)	1.50 (1.26)
	Each Additional station	0.4		
	Max # of stations	20		
<b>F Type ( HEAM_F, HEBM_F ):</b> Extruded Aluminum. Delivery ports 2 and 4 located on VALVE. Accepts direct piping HEA10F_ (HEB10F_) valve models..	Two Station ( __M2F )	1.43	0.59 (0.67)	1.18 (1.04)
	Each Additional station	0.4		
	Max # of stations	20		

*Consult website for exact dimensions and additional manifold configurations.*

**HOW TO OBTAIN SPECIFICATIONS FOR A PARTICULAR VALVE(S)**

- ☞ Go directly to [www.humphrey-products.com/dynamic/products](http://www.humphrey-products.com/dynamic/products)
- ☞ Or, visit [www.humphrey-products.com](http://www.humphrey-products.com) and select "Online Product Guide."
- Once you have followed the steps to get the valve you need, select "Download Spec Sheet." Doing this will create a personalized PDF of the valve, which you may save to your computer and print at your convenience. These spec sheets are helpful when placing your order(s).

**HOW TO ORDER HUMPHREY VALVES AND ACCESSORIES**

- ☞ Go directly to: [www.humphrey-products.com/?q=content/find-distributor](http://www.humphrey-products.com/?q=content/find-distributor)
- ☞ Or, visit [www.humphrey-products.com](http://www.humphrey-products.com), select "Find A Distributor," and input your information to locate a distributor nearest you.
- Or, call Customer Service at 1-800-477-8707 for the name and phone number of your local distributor.



**HUMPHREY PRODUCTS ARE SOLD WORLD-WIDE THROUGH AUTHORIZED DISTRIBUTORS**

# HJC, HJE Valves

HJC10F, HJC10A, HJE12F, HJE12A

**HJC Series Indirect-Acting Solenoid, directional control valves achieve large 0.17 Cv flow in a 10mm width. These valves are a popular choice for operating small bore cylinders, up to 1.5" bore.**

**HJE Series Indirect-Acting Solenoid, directional control valves achieve unprecedented 0.53 Cv flow capacity in a 12mm width. These valves are sized for operating medium size cylinders, up to 2.5" bore.**

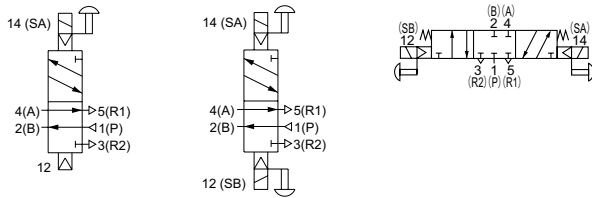
**Fast (6ms) response or ultra low (0.15 Watt) current consumption solenoids optional.**

**2-, 3- or 4-way models available as inline valves or manifold mount on two manifold configurations, A or F type.**

## Features and Benefits

- Small, compact 10mm and 12mm size.
- Low power consumption.
- High flow.
- Quiet operation.
- DC voltages.
- Manual override standard.
- Electrical connection options include lead wires or plug-in.
- Grommet type, lead wire valves offer moisture proof specification – standard.
- Clean appearance.
- Options: Fast response solenoid (6 ms), low current solenoid (0.15 W)

INDIRECT-ACTING SOLENOID VALVES



Base Model	Nominal Dimensions (inch)		
	L	H	W
HJC10__ single solenoid	2.58	0.87	0.39
HJC10__ double solenoid	3.77		
HJC10__ three position	4.16		
HJE12__ single solenoid	3.15	0.95	0.47
HJE12__ double solenoid	4.37		
HJE12__ three position	4.73		



HJC10F5



HJE12F5



HJC/HJE Double Solenoid

## SPECIFICATIONS

Design Principle:	Pressure Balanced – Air Return	Temperature Range:	41°F to 122°F
Porting Type:	2, 3- or 4-Way	Flow @100 PSIG:	HJC: 12 CFM, 339 LPM (Cv=0.2) HJE: 32 CFM, 906 LPM (Cv=0.5)
Port Size:	M3x0.5 (HJC), 10-32 UNF (HJE only)	Power:	0.55 W
Media:	Air	Available Voltages:	5VDC, 6VDC, 12VDC, 24VDC
Pressure Range:	29–102 PSIG		

**AVAILABLE VALVE TYPES – HJC AND HJE SERIES ... CONSULT WEBSITE FOR MODEL NUMBERS**

**For Direct Piping, or F Type Manifold:**

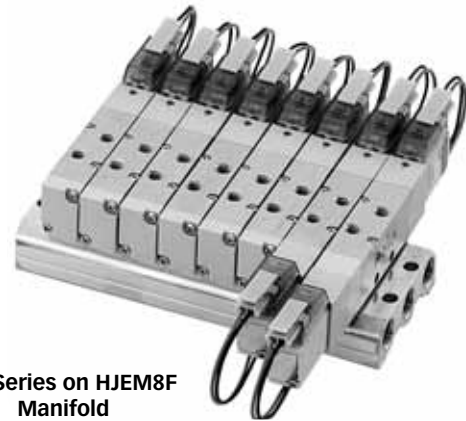
- 2-position, single solenoid, 4-way
- 2-position, double solenoid, 4-way
- 3-position, 4-way, closed center
- 3-position, 4-way, exhaust center
- 3-position, 4-way, pressure center

**For Base Piping, or A-Type Manifolds:**

- Normally closed, single solenoid, 2-way
- Normally open, single solenoid, 2-way
- Normally closed, single solenoid, 3-way
- Normally open, single solenoid, 3-way
- 2-position, single solenoid, 4-way
- 2-position, double solenoid, 4-way
- 3-position, 4-way, closed center
- 3-position, 4-way, exhaust center
- 3-position, 4-way, pressure center



**HJC Series on HJCM8A Manifold**



**HJE Series on HJEM8F Manifold**

INDIRECT-ACTING SOLENOID VALVES

Manifold Types Available	Overall Size (valves not mounted)	Nominal Dimensions (inch)		
		L	H	D
<b>A Type ( HJCM_A, HJEM_A ):</b> Extruded Aluminum. Delivery ports 2 and 4 located on MANIFOLD. Accepts base piping HJC10A_ (HJE12A_) valve models.	Two Station ( ___M2A )	1.59 (1.75)	0.98 (1.24)	1.85 (1.93)
	Each Additional station	0.41 (0.49)		
	Max # of stations	20		
<b>F Type ( HJCM_F, HJEM_F ):</b> Extruded Aluminum. Delivery ports 2 and 4 located on VALVE. Accepts direct piping HJC10F_ (HJE12F_) valve models.	Two Station ( ___M2F )	1.52 (1.67)	0.63 (0.61)	1.50 (1.81)
	Each Additional station	0.41 (0.49)		
	Max # of stations	20		

*Consult website for exact dimensions and additional manifold configurations.*

**HOW TO OBTAIN SPECIFICATIONS FOR A PARTICULAR VALVE(S)**

- ☞ Go directly to [www.humphrey-products.com/dynamic/products](http://www.humphrey-products.com/dynamic/products)
- ☞ Or, visit [www.humphrey-products.com](http://www.humphrey-products.com) and select "Online Product Guide."
- Once you have followed the steps to get the valve you need, select "Download Spec Sheet." Doing this will create a personalized PDF of the valve, which you may save to your computer and print at your convenience. These spec sheets are helpful when placing your order(s).

**HOW TO ORDER HUMPHREY VALVES AND ACCESSORIES**

- ☞ Go directly to: [www.humphrey-products.com/?q=content/find-distributor](http://www.humphrey-products.com/?q=content/find-distributor)
- ☞ Or, visit [www.humphrey-products.com](http://www.humphrey-products.com), select "Find A Distributor," and input your information to locate a distributor nearest you.
- Or, call Customer Service at 1-800-477-8707 for the name and phone number of your local distributor.



**HUMPHREY PRODUCTS ARE SOLD WORLD-WIDE THROUGH AUTHORIZED DISTRIBUTORS**

# HJA Valves

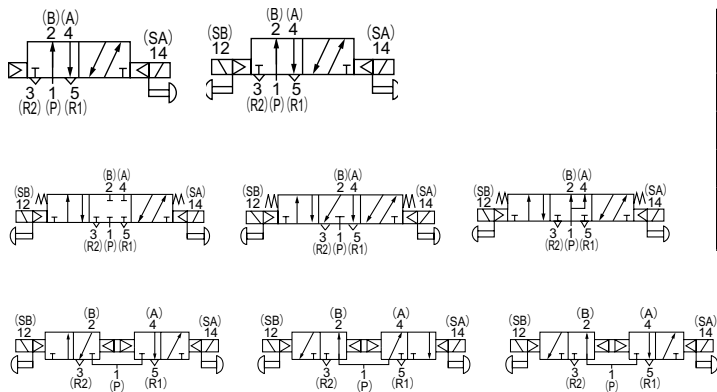
HJA10A(1,2,3,4), HJA10A(A,B,C)

The 10mm HJA Series manifold mount, directional control solenoid valves offer unprecedented compact size versus equivalent competitive models. Din-Rail mounted, HJA valves are low 0.5 Watt power consumption, with excellent 0.19 Cv flow capacity within a thin 50mm overall manifold height. Valves are available as subbase mount, or as manifold mount in 3 different configurations, monoblock, non plug-in, or pre-wired plug-in. Consult factory representative for serial transmission manifolds.

Space saving, tandem 3-port valves (two valves in one body) occupy one slice on a manifold.

## Features and Benefits

- Pre-wired, pre-assembled manifold configurations.
- Extreme miniaturization achieved for high flow, 0.19 Cv valve platform. Length and height, optimized.
- Quiet operation.
- DC voltages.
- Electrical connection options include plug-in or plug-in manifold.
- Tandem 3-port, 4-position valve optional.
- 0.5 W low power consumption standard, and 0.25 W optional.



Base Model	Nominal Dim. (inch)		
	L	H	W
HJA10__ single solenoid replacement	3.87	0.98	0.39
HJA10__ double solenoid replacement	4.02		
HJA10__ three position replacement	4.34		
HJA10__ on single subbase	see above	1.8	0.94



HJA10A



HJA10A on Sub-base

## SPECIFICATIONS

Design Principle:	Pressure Balanced – Air Return	Temperature Range:	41°F to 122°F
Porting Type:	2-, 3- or 4-Way	Flow @100 PSIG:	11 CFM, 311 LPM (Cv=0.19)
Port Size:	1/8 PIPE (5/32 and 1/4 tube size)	Power:	0.5 W
Media:	Air	Available Voltages:	12VDC, 24VDC
Pressure Range:	29–102 PSIG		

INDIRECT-ACTING SOLENOID VALVES

**AVAILABLE VALVE TYPES – HJA SERIES ... CONSULT WEBSITE FOR MODEL NUMBERS**

**For Base Piping, or Manifold Mount:**

- Normally closed, single solenoid, 2-way
- Normally open, single solenoid, 2-way
- Normally closed, single solenoid, 3-way
- Normally open, single solenoid, 3-way
- 2-position, single solenoid, 4-way
- 2-position, double solenoid, 4-way

**For Base Piping, or Manifold Mount:**

- 3-position, 4-way, closed center
- 3-position, 4-way, exhaust center
- 3-position, 4-way, pressure center
- 4-position, tandem 3-ports, NC/NC
- 4-position, tandem 3-ports, NO/NO
- 4-position, tandem 3-ports, NC/NO



**HJA Series on Split Manifold Plug-in Type, Model HJAM8PJ**

INDIRECT-ACTING SOLENOID VALVES

Manifold Types Available	Overall Size (valves not mounted)	Nominal Dimensions (inch)		
		L	H	D
<b>AJ Type (HJAM_AJ):</b> Extruded Aluminum. Delivery ports 2 and 4 located on MANIFOLD. Accepts base piping HJA10A_ PS valve models.	Two Station ( ___M2AJ )	1.91	1.02	2.08
	Each Additional station	0.41		
	Max # of stations	20		
<b>NJ Type (HJAM_NJ):</b> Split, DIN-Rail Mount Type, for Non - Plug-in valves. Delivery ports 2 and 4 located in MANIFOLD. Accepts HJA10A_ PS valve models.	Two Station ( ___M2NJ )	2.95	1.97	3.74
	Each Additional station	0.41		
	Max # of stations	20		
<b>PJ Type (HJAM_PJ):</b> Split, DIN-Rail Mount Type, for Plug-in Valves. Valves pre-wired to multi-pin electrical connector. Delivery ports 2 and 4 located in MANIFOLD. Accepts HJA10A_ valve models.	Two Station ( ___M2PJ )	3.74	1.97	3.74
	Each Additional station	0.41		
	Max # of stations	16		

*Consult website for exact dimensions and additional manifold configurations.*

**HOW TO OBTAIN SPECIFICATIONS FOR A PARTICULAR VALVE(S)**

- ☞ Go directly to [www.humphrey-products.com/dynamic/products](http://www.humphrey-products.com/dynamic/products)
- ☞ Or, visit [www.humphrey-products.com](http://www.humphrey-products.com) and select "Online Product Guide."
- Once you have followed the steps to get the valve you need, select "Download Spec Sheet." Doing this will create a personalized PDF of the valve, which you may save to your computer and print at your convenience. These spec sheets are helpful when placing your order(s).

**HOW TO ORDER HUMPHREY VALVES AND ACCESSORIES**

- ☞ Go directly to: [www.humphrey-products.com/?q=content/find-distributor](http://www.humphrey-products.com/?q=content/find-distributor)
- ☞ Or, visit [www.humphrey-products.com](http://www.humphrey-products.com), select "Find A Distributor," and input your information to locate a distributor nearest you.
- Or, call Customer Service at 1-800-477-8707 for the name and phone number of your local distributor.



**HUMPHREY PRODUCTS ARE SOLD WORLD-WIDE THROUGH AUTHORIZED DISTRIBUTORS**



**AVAILABLE VALVE TYPES – F10 AND F15 SERIES ... CONSULT WEBSITE FOR MODEL NUMBERS**

**Operation Types:**

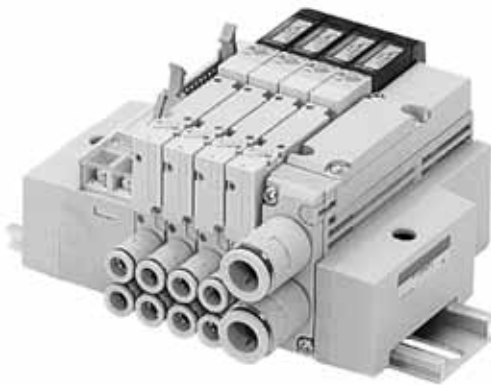
- Internal pilot type
- External pilot type, low positive pressure
- External pilot type, vacuum pressure

**For Base Piping, or Manifold Mount:**

- 2-position, single solenoid only, 4-way
- 2-position, two coil, single solenoid, 4-way
- 2-position, two coil, double solenoid, 4-way

**For Base Piping, or Manifold Mount:**

- 3-position, 4-way, closed center
- 3-position, 4-way, exhaust center
- 3-position, 4-way, pressure center
- 4-position, tandem 3-ports, NC/NC
- 4-position, tandem 3-ports, NO/NO
- 4-position, tandem 3-ports, NC/NO



F10T Series on F10M4PH Manifold



F15T Series on F15M4A Manifold

Manifold Types Available	Overall Size (valves not mounted)	Nominal Dimensions (inch)		
		L	H	D
<b>A Type (F10M_A, F15M_A):</b> Extruded Aluminum. Delivery ports 2 and 4 located in manifold, but transferable to valves. Accepts F10 (F15) valve models.	Two Station ( __M2A )	1.52 (1.89)	1.26 (1.81)	2.40 (2.91)
	Each Additional station	0.41 (0.63)		
	Max # of stations	20		
<b>F Type (F10M_F, F15M_F):</b> Extruded Aluminum. Delivery ports 2 and 4 located on VALVE. Accepts F10 (F15) valve models.	Two Station ( __M2F )	1.91 (2.44)	1.02 (1.18)	1.93 (2.40)
	Each Additional station	0.41 (0.63)		
	Max # of stations	20		
<b>NH Type (F10M_NH, F15M_NH):</b> Split, DIN-Rail Mount, for Non-Plug-in Valves. Delivery ports 2 and 4 located in manifold, but transferable to valves. Accepts F10 (F15) valve models.	Two Station ( __M2NH )	3.07 (3.98)	2.28 (2.64)	3.86 (4.53)
	Each Additional station	0.41 (0.63)		
	Max # of stations	20		
<b>PH Type (F10M_PH, F15M_PH):</b> Split, DIN-Rail Mount, for Plug-in Valves. Delivery ports 2 and 4 located in manifold, but transferable to valves. Accepts F10 (F15) valve models.	Two Station ( __M2PH )	3.90 (4.81)	2.28 (2.64)	3.86 (4.53)
	Each Additional station	0.41 (0.63)		
	Max # of stations	16		

*Consult website for exact dimensions and additional manifold configurations, including serial transmission.*

**HOW TO OBTAIN SPECIFICATIONS FOR A PARTICULAR VALVE(S)**

- ☞ Go directly to [www.humphrey-products.com/dynamic/products](http://www.humphrey-products.com/dynamic/products)
- ☞ Or, visit [www.humphrey-products.com](http://www.humphrey-products.com) and select "Online Product Guide."
- Once you have followed the steps to get the valve you need, select "Download Spec Sheet." Doing this will create a personalized PDF of the valve, which you may save to your computer and print at your convenience. These spec sheets are helpful when placing your order(s).

**HOW TO ORDER HUMPHREY VALVES AND ACCESSORIES**

- ☞ Go directly to: [www.humphrey-products.com/?q=content/find-distributor](http://www.humphrey-products.com/?q=content/find-distributor)
- ☞ Or, visit [www.humphrey-products.com](http://www.humphrey-products.com), select "Find A Distributor," and input your information to locate a distributor nearest you.
- Or, call Customer Service at 1-800-477-8707 for the name and phone number of your local distributor.

*Humphrey* **HUMPHREY PRODUCTS ARE SOLD WORLD-WIDE THROUGH AUTHORIZED DISTRIBUTORS**

# F18 Valves

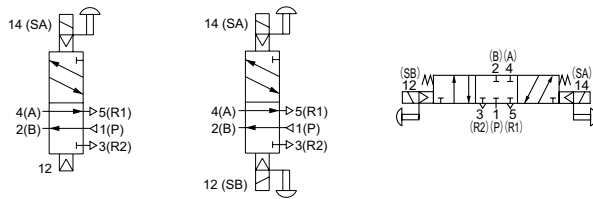
F18T (0,1,2,3,4,5)

**F18 Series Indirect-Acting Solenoid, directional control valves achieve 1.0 Cv flow capacity in a 18mm width. These valves are a popular choice for operating medium-size cylinders, up to 4" bore. Low (0.9 W) current consumption solenoids are standard. Valves are available as inline, subbase mount, or as manifold mount in several configurations, including monoblock, non plug-in, or pre-wired plug-in. Consult factory representative for serial transmission manifolds.**

**4-way models available as inline valves or manifold mount on two manifold configurations, A or F type.**

## Features and Benefits

- Small, compact 18mm size.
- Low power consumption.
- High flow.
- Quiet operation. No AC hum.
- DC voltages.
- Manual override standard.
- Electrical connection options include plug-in or plug-in manifold.
- Two-position, double solenoids can be converted to single solenoid function.
- Clean appearance.



Base Model	Nominal Dimensions (inch)		
	L	H	W
F18T0-F4H-__	5.18	2.19	0.71
F18T__F4H-__ (two solenoids)	5.65		
F18T__F4H-__ (three position)			



F18

## SPECIFICATIONS

Design Principle:	Pressure Balanced – Air Return
Porting Type:	4-Way
Port Size:	1/4 PIPE
Media:	Air
Pressure Range:	29–102 PSIG

Temperature Range:	41°F to 122°F
Flow @100 PSIG:	60 CFM, 1699 LPM (Cv=1.0)
Power:	0.9 W
Available Voltages:	12VDC, 24VDC, 100VAC

**AVAILABLE VALVE TYPES – F18 SERIES ... CONSULT WEBSITE FOR MODEL NUMBERS**

**Operation Types**

- Internal pilot type
- External pilot type, low positive pressure
- External pilot type, vacuum pressure

**For Base Piping, or Manifold Mount:**

- 2-position, single solenoid only, 4-way
- 2-position, two coil, single solenoid, 4-way
- 2-position, two coil, double solenoid, 4-way
- 3-position, 4-way, closed center
- 3-position, 4-way, exhaust center
- 3-position, 4-way, pressure center



F18T Series on F18M4PH Manifold



F18T Series on Monoblock F18M4A Manifold

Manifold Types Available	Overall Size (valves not mounted)	Nominal Dimensions (inch)		
		L	H	D
<b>A Type (F18M_A):</b> Extruded Aluminum. Delivery ports 2 and 4 located in manifold, but transferable to valves. Accepts F18 valve models.	Two Station ( F18M2A )	2.24	2.09	3.51
	Each Additional station	0.75		
	Max # of stations	20		
<b>F Type (F18M_F):</b> Extruded Aluminum. Delivery ports 2 and 4 located on VALVE. Accepts F18 valve models.	Two Station ( F18M2F )	2.24	1.34	2.96
	Each Additional station	0.75		
	Max # of stations	20		
<b>NH Type (F18M_NH):</b> Split, DIN-Rail Mount, for Non-Plug-in Valves. Delivery ports 2 and 4 located in manifold, but transferable to valves. Accepts F18 valve models.	Two Station ( F18M2NH )	3.58	2.99	3.55
	Each Additional station	0.75		
	Max # of stations	20		
<b>PH Type (F18M_PH):</b> Split, DIN-Rail Mount, for Plug-in Valves. Delivery ports 2 and 4 located in manifold, but transferable to valves. Accepts F18 valve models.	Two Station ( F18M2PH )	4.41	2.99	3.55
	Each Additional station	0.75		
	Max # of stations	16		

*Consult website for exact dimensions and additional manifold configurations, including serial transmission.*

**HOW TO OBTAIN SPECIFICATIONS FOR A PARTICULAR VALVE(S)**

- ☞ Go directly to [www.humphrey-products.com/dynamic/products](http://www.humphrey-products.com/dynamic/products)
- ☞ Or, visit [www.humphrey-products.com](http://www.humphrey-products.com) and select "Online Product Guide."
- Once you have followed the steps to get the valve you need, select "Download Spec Sheet." Doing this will create a personalized PDF of the valve, which you may save to your computer and print at your convenience. These spec sheets are helpful when placing your order(s).

**HOW TO ORDER HUMPHREY VALVES AND ACCESSORIES**

- ☞ Go directly to: [www.humphrey-products.com/?q=content/find-distributor](http://www.humphrey-products.com/?q=content/find-distributor)
- ☞ Or, visit [www.humphrey-products.com](http://www.humphrey-products.com), select "Find A Distributor," and input your information to locate a distributor nearest you.
- Or, call Customer Service at 1-800-477-8707 for the name and phone number of your local distributor.

*Humphrey* **HUMPHREY PRODUCTS ARE SOLD WORLD-WIDE THROUGH AUTHORIZED DISTRIBUTORS**

INDIRECT-ACTING SOLENOID VALVES

# H110, H180 Valves

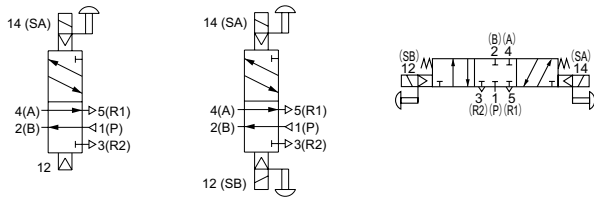
H110-4E1(2), HA110-4E1(2), H113-4E2, HA113-4E2, H180-4E1(2), HA180-4E1(2),

**H110 and H180 Series Indirect-Acting Solenoid, directional control valves achieve 0.23 and 0.57 Cv flow capacity in a 15mm and 18mm width. These valves are a popular choice for operating medium size cylinders, up to 2.5" bore. Low (1.6 Watt) current consumption solenoids are standard. Valves are available as inline, subbase mount, or as manifold mount.**

**2-, 3- or 4-way models available as inline valves or manifold mount on two manifold configurations, A or F type.**

## Features and Benefits

- Compact 15mm and 18mm size.
- Low power consumption.
- High flow.
- Quiet operation. No AC hum.
- AC and DC voltages.
- Manual override standard.
- Grommet, plug-in and DIN type electrical connector – standard.
- Clean appearance.



Base Model	Nominal Dimensions (inch)		
	L	H	W
H(A)110__ single solenoid	3.18	0.95	0.59
H(A)110__ double solenoid	4.66		
H(A)113__ three position	5.14	0.95	0.71
H(A)180__ single solenoid	3.81		
H(A)180__ double solenoid	5.31		
H(A)183__ three position	5.93		



**H110-4E1**



**H180-4E1**

## SPECIFICATIONS

Design Principle:	Pressure Balanced – Air Return	Temperature Range:	41°F to 122°F
Porting Type:	2-, 3-, or 4-Way	Flow @100 PSIG:	H110: 14 CFM, 396 LPM (Cv=0.2) H180: 33 CFM, 934 LPM (Cv=0.6)
Port Size:	H110: 10-32 UNF; H180: 1/8 PIPE	Power:	1.6 W
Media:	Air	Available Voltages:	12VDC, 24VDC, 24VAC, 120VAC, 240VAC
Pressure Range:	22–102 PSIG		

INDIRECT-ACTING SOLENOID VALVES

**AVAILABLE VALVE TYPES – H110 AND H180 SERIES ... CONSULT WEBSITE FOR MODEL NUMBERS**

**For Direct Piping, or F Type Manifold:**

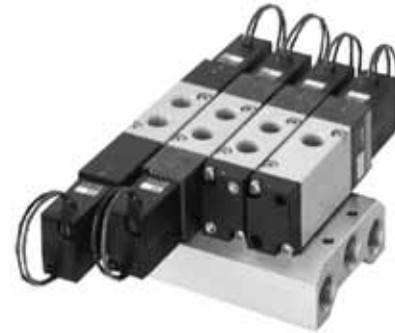
- Normally closed, single solenoid, 2-way
- Normally open, single solenoid, 2-way
- Normally closed, single solenoid, 3-way
- Normally open, single solenoid, 3-way
- 2-position, single solenoid, 4-way
- 2-position, double solenoid, 4-way
- 3-position, 4-way, closed center
- 3-position, 4-way, exhaust center
- 3-position, 4-way, pressure center

**For Base Piping, or A-Type Manifolds:**

- Normally closed, single solenoid, 2-way
- Normally open, single solenoid, 2-way
- Normally closed, single solenoid, 3-way
- Normally open, single solenoid, 3-way
- 2-position, single solenoid, 4-way
- 2-position, double solenoid, 4-way
- 3-position, 4-way, closed center
- 3-position, 4-way, exhaust center
- 3-position, 4-way, pressure center



**HA110 Series on H110M4A Manifold**



**H180 Series on H180M4F Manifold**

INDIRECT-ACTING SOLENOID VALVES

Manifold Types Available	Overall Size (valves not mounted)	Nominal Dimensions (inch)		
		L	H	D
<b>A Type (H110M_A, H180M_A):</b> Extruded Aluminum. Delivery ports 2 and 4 located on MANIFOLD. Accepts HA110 (HA180) valve models.	Two Station ( ___M2A )	1.89 (2.25)	1.38 (1.58)	2.09 (2.92)
	Each Additional station	0.63 (0.75)		
	Max # of stations	20		
<b>F Type (H110M_F, H180M_F):</b> Extruded Aluminum. Delivery ports 2 and 4 located on VALVE. Accepts H110 (H180) valve models.	Two Station ( ___M2F )	1.89 (2.25)	0.71 (0.99)	1.81 (2.29)
	Each Additional station	0.63 (0.75)		
	Max # of stations	20		

*Consult website for exact dimensions and additional manifold configurations.*

**HOW TO OBTAIN SPECIFICATIONS FOR A PARTICULAR VALVE(S)**

- ☞ Go directly to [www.humphrey-products.com/dynamic/products](http://www.humphrey-products.com/dynamic/products)
- ☞ Or, visit [www.humphrey-products.com](http://www.humphrey-products.com) and select "Online Product Guide."
- Once you have followed the steps to get the valve you need, select "Download Spec Sheet." Doing this will create a personalized PDF of the valve, which you may save to your computer and print at your convenience. These spec sheets are helpful when placing your order(s).

**HOW TO ORDER HUMPHREY VALVES AND ACCESSORIES**

- ☞ Go directly to: [www.humphrey-products.com/?q=content/find-distributor](http://www.humphrey-products.com/?q=content/find-distributor)
- ☞ Or, visit [www.humphrey-products.com](http://www.humphrey-products.com), select "Find A Distributor," and input your information to locate a distributor nearest you.
- Or, call Customer Service at 1-800-477-8707 for the name and phone number of your local distributor.



**HUMPHREY PRODUCTS ARE SOLD WORLD-WIDE THROUGH AUTHORIZED DISTRIBUTORS**

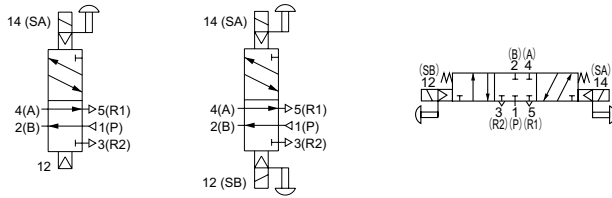
## H240 Valves

H240-4E, HA240-4E, HW240-4E, H243-4E, HA243-4E, HW243-4E

**H240 Series Indirect-Acting Solenoid, directional control valves achieve 0.88 Cv flow capacity in a 24mm width. These pressure balanced spool/air spring return valves are suitable for operating medium size cylinders, up to 3" bore. Low (1.6 Watt) current consumption solenoids are standard. Two or three position, 4-way models available as inline valves or manifold mount F-Type, stacking manifold A-Type or plug-in Type AW.**

### Features and Benefits

- Compact 24mm size.
- Low power consumption.
- High flow.
- Quiet operation. No AC hum.
- AC and DC voltages.
- Manual override standard.
- Grommet, plug-in and DIN type electrical connector – standard.
- Clean appearance.



Base Model	Nominal Dimensions (inch)		
	L	H	W
H(A)240__ single solenoid	4.07	1.38	0.91
H(A)240__ double solenoid	5.33		
H(A)243__ three position	6.52		



H240-4E1



H240-4E2

### SPECIFICATIONS

Design Principle: Pressure Balanced – Air Return, Spring Assist

Porting Type: 4-Way

Port Size: 1/4

Media: Air

Pressure Range: 25–100 PSIG

Temperature Range: 41°F to 122°F

Flow @100 PSIG: 53 CFM, 1500 LPM (Cv=0.9)

Power: 1.6 W

Available Voltages: 12VDC, 24VDC, 120VAC, 240VAC, 24VAC

**AVAILABLE VALVE TYPES – H240 SERIES ... CONSULT WEBSITE FOR MODEL NUMBERS**

**For Direct Piping, or F Type Manifold:**

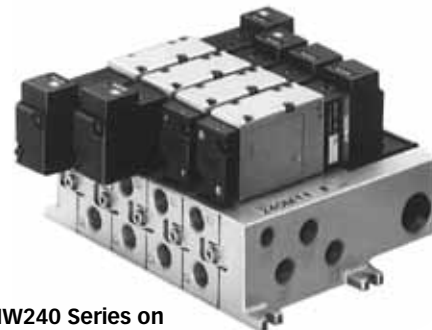
- 2-position, single solenoid, 4-way
- 2-position, double solenoid, 4-way
- 3-position, 4-way, closed center
- 3-position, 4-way, exhaust center

**For Base Piping, or A(AW)-Type Manifolds:**

- 2-position, single solenoid, 4-way
- 2-position, double solenoid, 4-way
- 3-position, 4-way, closed center
- 3-position, 4-way, exhaust center



**HA240 Series on H240M4A Manifold**



**HW240 Series on H240M4AW Manifold**

Manifold Types Available	Overall Size (valves not mounted)	Nominal Dimensions (inch)		
		L	H	D
<b>A Type (H240M_A):</b> Stacking diecast manifold (assembled). Delivery ports 2 and 4 located on MANIFOLD. Accepts HA240 valve models.	Two Station ( H240M2A )	4.6	1.87	3.35
	Each Additional station	1.1		
	Max # of stations	10		
<b>AW Type (H240M_AW):</b> Stacking diecast, plug-in manifold (assembled). Delivery ports 2 and 4 located on MANIFOLD. Accepts HW240 plug-in type valve models.	Two Station ( H240M2AW )	4.6	1.87	5.06
	Each Additional station	1.1		
	Max # of stations	10		
<b>F Type (H240M_F):</b> Extruded Aluminum. Delivery ports 2 and 4 located on VALVE. Accepts H240 valve models.	Two Station ( H240M2F )	2.84	1.1	2.44
	Each Additional station	0.95		
	Max # of stations	10		

*Consult website for exact dimensions and additional manifold configurations.*

**HOW TO OBTAIN SPECIFICATIONS FOR A PARTICULAR VALVE(S)**

- ☞ Go directly to [www.humphrey-products.com/dynamic/products](http://www.humphrey-products.com/dynamic/products)
- ☞ Or, visit [www.humphrey-products.com](http://www.humphrey-products.com) and select "Online Product Guide."
- Once you have followed the steps to get the valve you need, select "Download Spec Sheet." Doing this will create a personalized PDF of the valve, which you may save to your computer and print at your convenience. These spec sheets are helpful when placing your order(s).

**HOW TO ORDER HUMPHREY VALVES AND ACCESSORIES**

- ☞ Go directly to: [www.humphrey-products.com/?q=content/find-distributor](http://www.humphrey-products.com/?q=content/find-distributor)
- ☞ Or, visit [www.humphrey-products.com](http://www.humphrey-products.com), select "Find A Distributor," and input your information to locate a distributor nearest you.
- Or, call Customer Service at 1-800-477-8707 for the name and phone number of your local distributor.



**HUMPHREY PRODUCTS ARE SOLD WORLD-WIDE THROUGH AUTHORIZED DISTRIBUTORS**

**INDIRECT-ACTING SOLENOID VALVES**

## 250 Valves

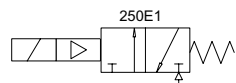
250E1, 250AE1, 250E2, 250AE2

**The classic Humphrey diaphragm poppet, 1/4 PIPE port solenoid valve 250 series, is a workhorse, whether the media and ambient conditions are clean or harsh. The pressure unbalanced diaphragm-poppet design has no metal-to-metal contact or sliding seals, thus millions of trouble-free cycling are expected, whether air is dirty, lubricated or not.**

**Available as 2- or 3-way models, normally open or normally closed, single or double solenoid.**

### Features and Benefits

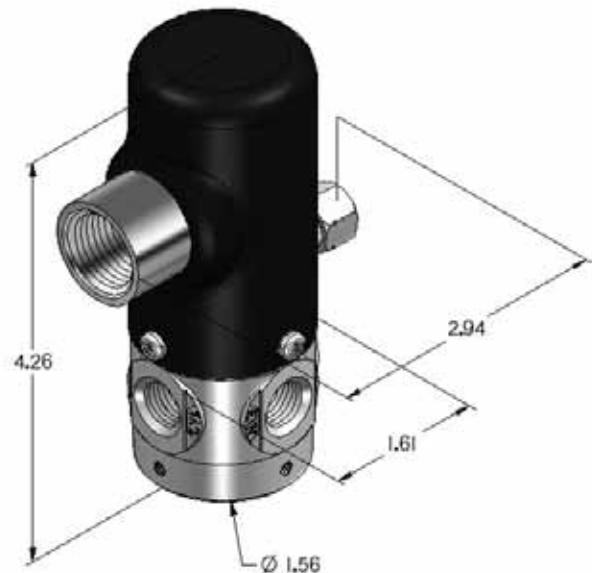
- Low leak rate.
- Full ported 1/4" orifice, 1/4 PIPE ports.
- Impervious to air quality, lubricated or not lubricated.
- Quiet operation. No AC hum.
- Short stroke and quick exhaust permits fast cycling.
- Class B-rated, continuous duty coils.
- Electrical connections include grommet cover, conduit or DIN type connector.
- For low pressure or alternate media, select external piloted "AE" type.
- Optional brass body available.
- Design characteristics translate to excellent vacuum valve, see Vacuum, p. 78.



250E1



250AE1



250AE1

### SPECIFICATIONS

Design Principle: Pressure Unbalanced – Air Return, Spring Assist

Porting Type: 2- or 3-Way

Port Size: 1/4 PIPE

Media: Air, Inert Gas, Liquid (brass body including AE1 and AE2)

Pressure Range: 30–125 PSIG; AE 0–125 PSIG

Temperature Range: 0°F to 125°F

Flow @100 PSIG: 50 CFM, 1415 LPM (Cv=0.8)

Power: 6.7/8.2 W

Available Voltages: 12 VDC, 24VDC, 24/50/60, 120/50/60, 240/50/60

### HOW TO OBTAIN SPECIFICATIONS FOR A PARTICULAR VALVE(S)

- ☞ Go directly to [www.humphrey-products.com/dynamic/products](http://www.humphrey-products.com/dynamic/products)
- ☞ Or, visit [www.humphrey-products.com](http://www.humphrey-products.com) and select "Online Product Guide."
- Once you have followed the steps to get the valve you need, select "Download Spec Sheet." Doing this will create a personalized PDF of the valve, which you may save to your computer and print at your convenience. These spec sheets are helpful when placing your order(s).

### HOW TO ORDER HUMPHREY VALVES AND ACCESSORIES

- ☞ Go directly to: [www.humphrey-products.com/?q=content/find-distributor](http://www.humphrey-products.com/?q=content/find-distributor)
- ☞ Or, visit [www.humphrey-products.com](http://www.humphrey-products.com), select "Find A Distributor," and input your information to locate a distributor nearest you.
- Or, call Customer Service at 1-800-477-8707 for the name and phone number of your local distributor.



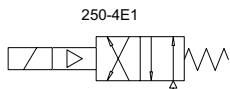
**HUMPHREY PRODUCTS ARE SOLD WORLD-WIDE THROUGH AUTHORIZED DISTRIBUTORS**

**The classic Humphrey diaphragm poppet, 1/4 PIPE port solenoid valve 250-4 series, is a workhorse, whether the media and ambient conditions are clean or harsh. The pressure unbalanced diaphragm-poppet design has no metal-to-metal contact or sliding seals, thus millions of trouble-free cycling are expected, whether air is dirty, lubricated or not.**

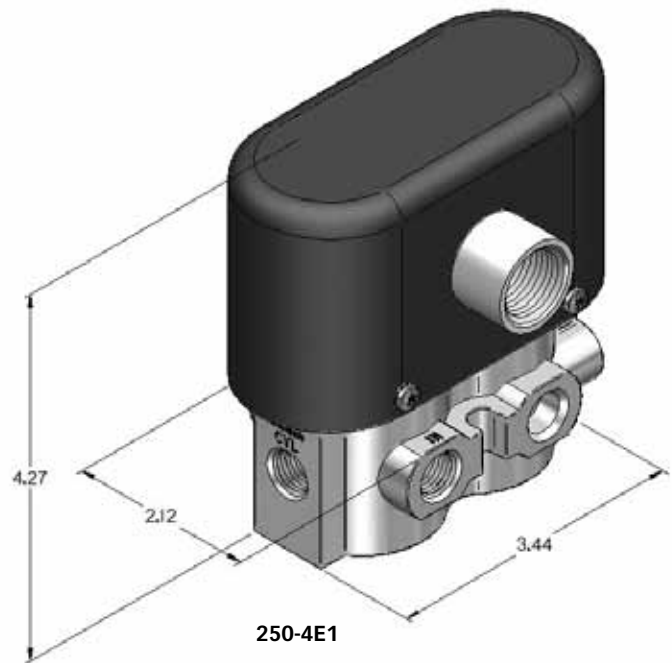
**Available as 4-way models, single or double solenoid, 2- or 3-position.**

### Features and Benefits

- Low leak rate.
- Full ported 1/4" orifice, 1/4 PIPE ports.
- Impervious to air quality, lubricated or not lubricated.
- Quiet operation. No AC hum.
- Electrical connections include grommet cover, conduit or DIN type connector.
- Short stroke and quick exhaust permits fast cycling.
- Class B-rated, continuous duty coils.



250-4E2




250-4E1

#### HOW TO OBTAIN SPECIFICATIONS FOR A PARTICULAR VALVE(S)

- Go directly to [www.humphrey-products.com/dynamic/products](http://www.humphrey-products.com/dynamic/products)
- Or, visit [www.humphrey-products.com](http://www.humphrey-products.com) and select "Online Product Guide."
  - Once you have followed the steps to get the valve you need, select "Download Spec Sheet." Doing this will create a personalized PDF of the valve, which you may save to your computer and print at your convenience. These spec sheets are helpful when placing your order(s).

#### HOW TO ORDER HUMPHREY VALVES AND ACCESSORIES

- Go directly to: [www.humphrey-products.com/?q=content/find-distributor](http://www.humphrey-products.com/?q=content/find-distributor)
- Or, visit [www.humphrey-products.com](http://www.humphrey-products.com), select "Find A Distributor," and input your information to locate a distributor nearest you.
- Or, call Customer Service at 1-800-477-8707 for the name and phone number of your local distributor.

 **HUMPHREY PRODUCTS ARE SOLD WORLD-WIDE THROUGH AUTHORIZED DISTRIBUTORS**

#### SPECIFICATIONS

Design Principle:	Pressure Unbalanced – Air Return, Spring Assist
Porting Type:	4-Way
Port Size:	1/4 PIPE
Media:	Air
Pressure Range:	30–125 PSIG
Temperature Range:	0°F to 125°F
Flow @100 PSIG:	50 CFM, 1415 LPM (Cv=0.8)
Power:	6.7/8.2 W
Available Voltages:	12 VDC, 24VDC, 24/50/60, 120/50/60, 240/50/60

## 500, 590 Valves

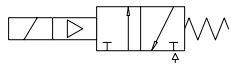
500E1, 500AE1, 500E2, 500AE2, 590E1, 590AE1, 590E2, 590AE2

**Large 1/2 PIPE port and 3/4 PIPE port sizes of the classic Humphrey diaphragm-poppet, solenoid valve series, the 500E and 590E are proven workhorses, whether the media and ambient conditions are clean or harsh. The pressure unbalanced diaphragm-poppet design has no metal-to-metal contact or sliding seals, thus millions of trouble-free cycling are expected, whether air is lubricated or not.**

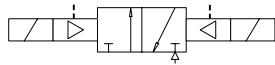
**Available as 2- or 3-way models, normally open or normally closed, single or double solenoid.**

### Features and Benefits

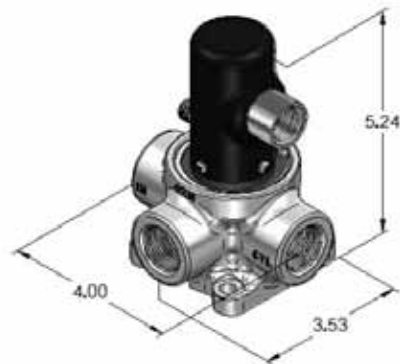
- Low leak rate.
- 1/2" orifice, 1/2 PIPE, or 5/8" orifice, 3/4 PIPE.
- Impervious to air quality, lubricated or not lubricated.
- Quiet operation. No AC hum.
- Short stroke and quick exhaust permits fast cycling.
- Class B-rated, continuous duty coils.
- Electrical connections include grommet cover, conduit or DIN type connector.
- For low pressure or alternate media, select external piloted "AE" type.
- Brass or aluminum body available.
- Design characteristics translate to excellent vacuum valve, see Vacuum, p. 79.



500E1



590E1



### SPECIFICATIONS FOR 500E AND 590E


Design Principle:	Pressure Unbalanced – Air Return, Spring Assist
Porting Type:	2-, 3-Way
Port Size:	1/2, 3/4 PIPE
Media:	Air, Inert Gas, Liquid (brass body including AE1 and AE2)
Pressure Range:	30–125 PSIG; 0–125 PSIG (AE)
Temperature Range:	0°F to 125°F
Flow @100 PSIG:	500E: 160 CFM, 4530 LPM (Cv=2.7) 590E: 260 CFM, 7362 LPM (Cv=3.7)
Power:	4.5/6.7/8.2 W
Available Voltages:	12 VDC, 24VDC, 24/50/60, 120/50/60, 240/50/60

### HOW TO OBTAIN SPECIFICATIONS FOR A PARTICULAR VALVE(S)

- ☞ Go directly to [www.humphrey-products.com/dynamic/products](http://www.humphrey-products.com/dynamic/products)
- ☞ Or, visit [www.humphrey-products.com](http://www.humphrey-products.com) and select "Online Product Guide."
- Once you have followed the steps to get the valve you need, select "Download Spec Sheet." Doing this will create a personalized PDF of the valve, which you may save to your computer and print at your convenience. These spec sheets are helpful when placing your order(s).

### HOW TO ORDER HUMPHREY VALVES AND ACCESSORIES

- ☞ Go directly to: [www.humphrey-products.com/?q=content/find-distributor](http://www.humphrey-products.com/?q=content/find-distributor)
- ☞ Or, visit [www.humphrey-products.com](http://www.humphrey-products.com), select "Find A Distributor," and input your information to locate a distributor nearest you.
- Or, call Customer Service at 1-800-477-8707 for the name and phone number of your local distributor.

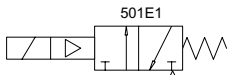
 **HUMPHREY PRODUCTS ARE SOLD WORLD-WIDE THROUGH AUTHORIZED DISTRIBUTORS**

**Humphrey piston-poppet, 501E and 501-4E, 1/2 PIPE port solenoid valve series, achieves fully ported, high flow relative to overall size. Hard coated, cast aluminum body permits resistance to wear and easy mounting/plumbing. The pressure unbalanced piston-poppet design achieves greater flow than comparable 1/2" orifice valves and millions of trouble-free cycles.**

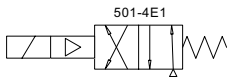
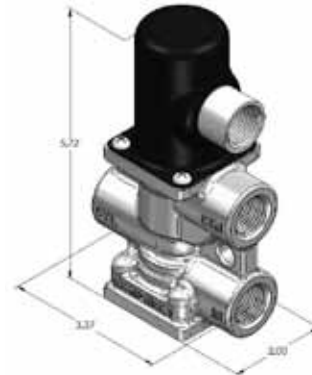
**Available as 2- or 3-way models, normally open or normally closed, single or double solenoid, and 4-way models, single or double solenoid.**

**Features and Benefits**

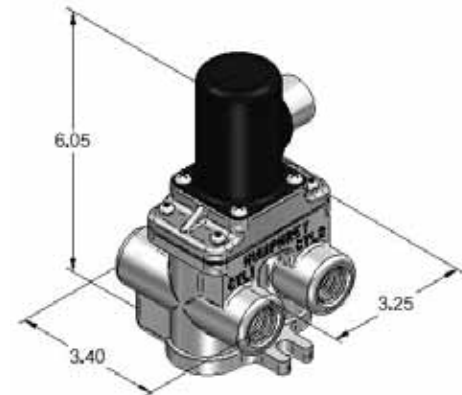
- Low leak rate.
- Full ported 1/2" orifice, 1/2 PIPE ports.
- "Flow through" construction achieves greater flow than competition.
- Quiet operation. No AC hum.
- Short stroke and quick exhaust permits fast cycling.
- Class B-rated, continuous duty coils.
- Electrical connections include grommet cover, conduit or DIN type connector.
- Mount in any position via body mounting holes or base (3-way), or body mounting lugs (4-way).
- Plug exhaust for 2-way service.



501E1



501-4E1



**HOW TO OBTAIN SPECIFICATIONS FOR A PARTICULAR VALVE(S)**

- Go directly to [www.humphrey-products.com/dynamic/products](http://www.humphrey-products.com/dynamic/products)
- Or, visit [www.humphrey-products.com](http://www.humphrey-products.com) and select "Online Product Guide."
- Once you have followed the steps to get the valve you need, select "Download Spec Sheet." Doing this will create a personalized PDF of the valve, which you may save to your computer and print at your convenience. These spec sheets are helpful when placing your order(s).

**HOW TO ORDER HUMPHREY VALVES AND ACCESSORIES**

- Go directly to: [www.humphrey-products.com/?q=content/find-distributor](http://www.humphrey-products.com/?q=content/find-distributor)
- Or, visit [www.humphrey-products.com](http://www.humphrey-products.com), select "Find A Distributor," and input your information to locate a distributor nearest you.
- Or, call Customer Service at 1-800-477-8707 for the name and phone number of your local distributor.

**HUMPHREY PRODUCTS ARE SOLD WORLD-WIDE THROUGH AUTHORIZED DISTRIBUTORS**

**SPECIFICATIONS FOR 501E AND 501-4E**

Design Principle:	Pressure Unbalanced – Air Return, Spring Assist
Porting Type:	2-, 3- or 4-Way
Port Size:	1/2 PIPE
Media:	Air, Inert Gas
Pressure Range:	30–125 PSIG
Temperature Range:	-30°F to 125°F
Flow @100 PSIG:	501: 220 CFM, 6229 LPM (Cv=3.5) 501-4: 170 CFM, 4814 LPM (Cv=2.5)
Power:	6.7/8.2 W
Available Voltages:	12 VDC, 24VDC, 24/50/60, 120/50/60, 240/50/60

INDIRECT-ACTING SOLENOID VALVES

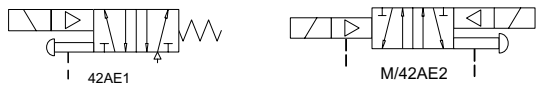
## TAC3 Valves

42E1, M42E1, 42E2, M42E2, 42AE1, M42AE1, 42AE2, M42AE2

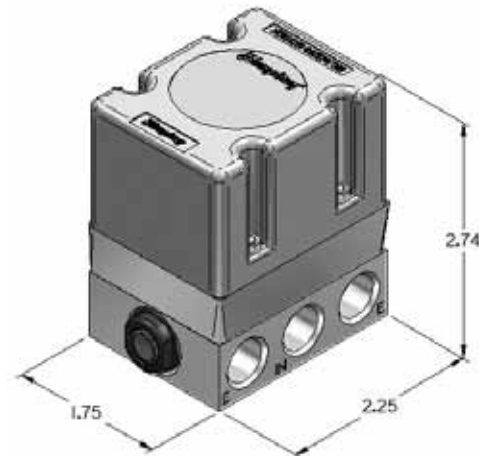
**TAC3 Electric 42E Series Indirect-Acting Solenoid, directional control valves achieve 0.5 Cv flow capacity. These pressure unbalanced spool/air-spring return valves are suitable for operating medium size cylinders, up to 2" bore. Low current consumption solenoids are standard. Two position, 4-way models available as inline valves or manifold mount and internal or external pilot.**

### Features and Benefits

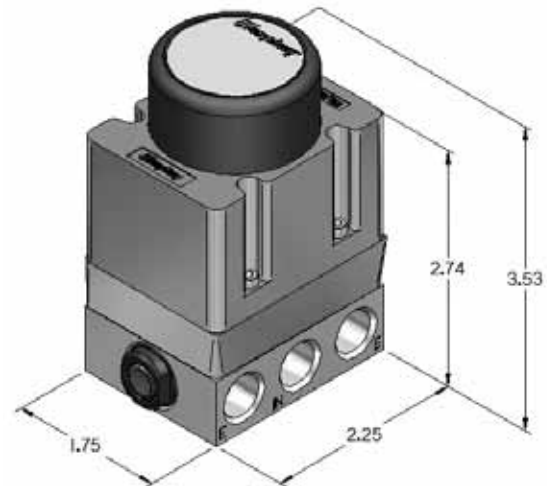
- Low leak rate.
- Small size.
- Low power consumption.
- High flow.
- Quiet operation. No AC hum.
- AC and DC voltages.
- Manual override standard.
- Grommet – standard or DIN type electrical connector – optional.
- Clean appearance.



42E1



42E2



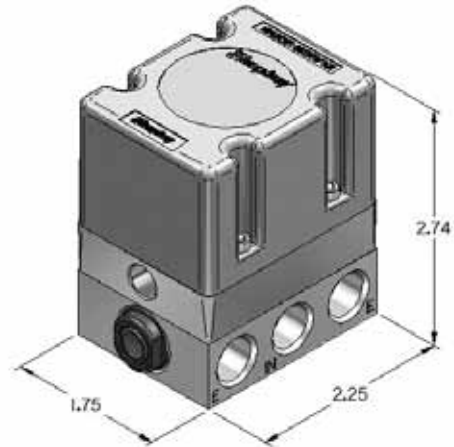
### SPECIFICATIONS

Design Principle:	Pressure Unbalanced – Air Return, Spring Assist
Porting Type:	4-Way
Port Size:	1/4 PIPE
Media:	Air, Inert Gas
Pressure Range:	30–125 PSIG (AE: 0–125 PSIG)

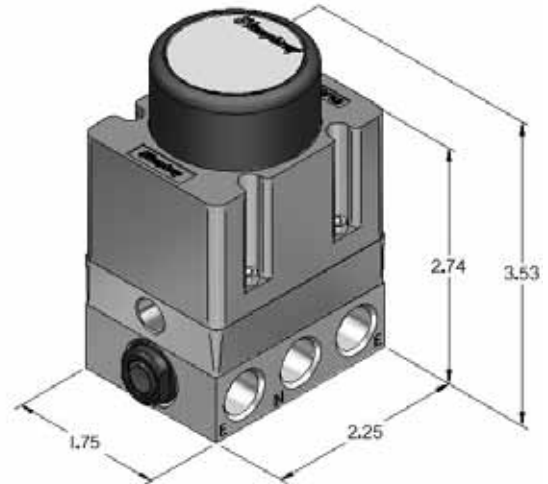
Temperature Range:	-20°F to 150°F
Flow @100 PSIG:	31 CFM, 877 LPM (Cv=0.5)
Power:	7.1/8.2 W
Available Voltages:	12 VDC, 24VDC, 24/50/60, 120/50/60, 240/50/60



42AE1



42AE2



MC Manifold

**Manifold Types Available**

**MC Type:** Extruded Aluminum. Delivery ports C1 and C2 located on MANIFOLD. Accepts M42(A)E1 and M42(A)E2 valve models.

Overall Size (valves not mounted)	Nominal Dimensions (inch)		
	L	H	D
Two Station ( MC2 )	3.63	2.02	2.25
Each Additional station	1.88		
Max # of stations	7		

*Consult website for exact dimensions and additional manifold configurations.*

INDIRECT-ACTING SOLENOID VALVES

**HOW TO OBTAIN SPECIFICATIONS FOR A PARTICULAR VALVE(S)**

- ☞ Go directly to [www.humphrey-products.com/dynamic/products](http://www.humphrey-products.com/dynamic/products)
- ☞ Or, visit [www.humphrey-products.com](http://www.humphrey-products.com) and select "Online Product Guide."
- Once you have followed the steps to get the valve you need, select "Download Spec Sheet." Doing this will create a personalized PDF of the valve, which you may save to your computer and print at your convenience. These spec sheets are helpful when placing your order(s).

**HOW TO ORDER HUMPHREY VALVES AND ACCESSORIES**

- ☞ Go directly to: [www.humphrey-products.com/?q=content/find-distributor](http://www.humphrey-products.com/?q=content/find-distributor)
- ☞ Or, visit [www.humphrey-products.com](http://www.humphrey-products.com), select "Find A Distributor," and input your information to locate a distributor nearest you.
- Or, call Customer Service at 1-800-477-8707 for the name and phone number of your local distributor.



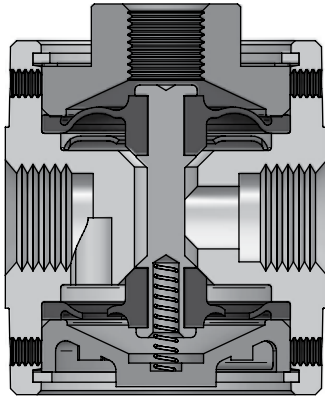
**HUMPHREY PRODUCTS ARE SOLD WORLD-WIDE THROUGH AUTHORIZED DISTRIBUTORS**

# AIR-PILOT VALVES

## INTRODUCTION

*Air-Pilot Valves use a remote air signal to shift the valve. A single Air-Pilot Valve uses one air-pilot signal to shift the valve and internal air pressure, or spring, to return it when the signal is removed. A double Air-Pilot Valve uses a momentary air-pilot to shift the valve to one position and a second momentary air-pilot signal to return it to its original position.*

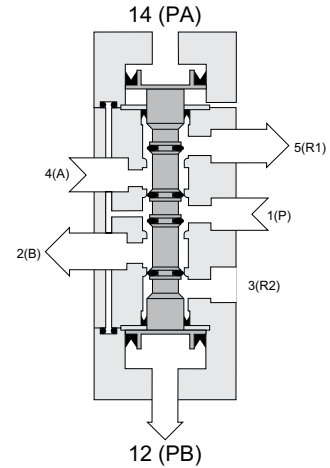
Since Air-Pilot Valves use air piping only, they are inherently explosion-proof or can be mounted close to work, isolating operators or electrical signals away from the environment. Further, less expensive, smaller electrical or manual operators can be used as pilots for one or several air-piloted valves in a system, reducing overall cost.



**250A-3-10-20**  
Single Air Pilot, Unactuated

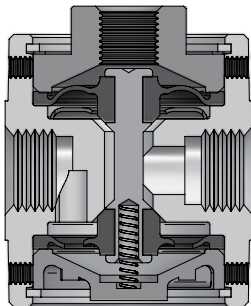
### AIR-PILOTED VALVE FEATURES:

- Simple construction.
- No lubrication.
- Reliable operation.
- Compact and light weight.
- Mount in any direction.
- Cost effective.

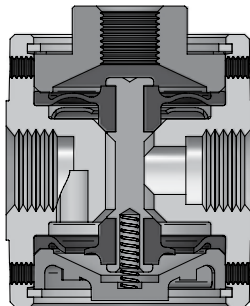


**H180-4A2**  
Double Air Pilot

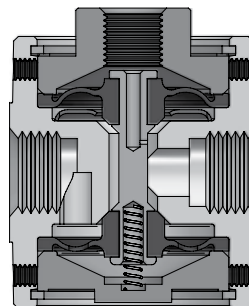
### DIFFERENCE BETWEEN "A" TYPE AND "AA" TYPE AIR-PILOT VALVES



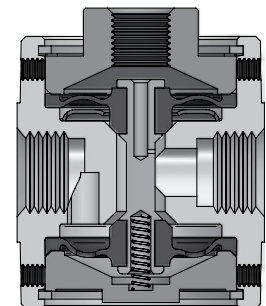
**250A**  
Normal Position



**250A**  
Operating Position



**250AA**  
Normal Position



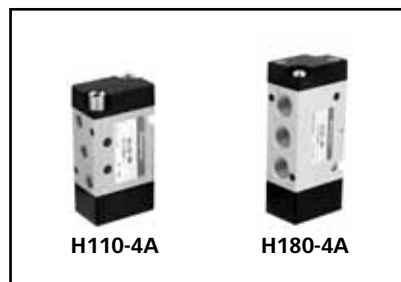
**250AA**  
Operating Position

Round "A" type valves require continuous pilot pressure to maintain the operating condition. Round "AA" type valves incorporate a bypass hole on the main stem and are for compressed air only. The bypass hole speeds up the valve and also helps the piloting valve maintain its operating condition during a momentary operation, even if there are small air leaks within the pilot line.

### EXAMPLES OF AIR-PILOT VALVES



**Round Type Valve Offering**



**Square Type Valve Offering**



**Specialty Round Type**

AIR-PILOT VALVES

	<b>2-, 3-WAY VALVES</b>	<b>Ports</b>	<b>CFM*</b>	<b>Valves</b>	<b>Page</b>
<b>SMALL</b>	125A Series	1/8	18	125A	44
	125AA Series	1/8	18	125AA	46
	125 Interface Series	1/8	14	125LA, 125AH,	48
	Glue Valve Series	1/8	-	R322C, R561	53
<b>LARGE</b>	250A Series	1/4	50	250A	44
	250AA Series	1/4	50	250AA	46
	250 Interface Series	1/4	40	250AL, 250AH	49
	500 Series	1/2	160	500A, 500AB	50
	501 Series	1/2	220	501A, 501AA	51
	590 Series	3/4	260	590A, 590AB	50
	Glue Valve Series	1/4	-	R332	53

	<b>4-WAY VALVES</b>	<b>Ports</b>	<b>CFM*</b>	<b>Valves</b>	<b>Page</b>
<b>SMALL</b>	H110 Series	10-32	14	H110-4A, H110-4A2, HA110-4A, HA110-4A2	52
	H180 Series	1/8	33	H180-4A, H180-4A2, HA180-4A, HA180-4A2	52
	TAC3 Series	1/4	31	42A, 42A2, 42PA	70
<b>LARGE</b>	250-4A Series	1/4	50	250-4A	45
	250-4AA Series	1/4	50	250-4AA	47
	501-4 Series	1/2	170	501-4A, 501-4AA	51

\*Nominal flow @100 psi



# 125A, 250A Valves

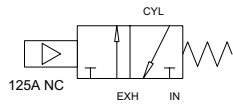
125A, 250A

**125 and 250 Series Air-Pilot Valves feature the classic Humphrey diaphragm-poppet principle. The unbalanced, air-spring return design assures bubble-tight sealing actuated, or unactuated. Compact design permits close proximity mounting to the work and fast cycling/quick exhaust.**

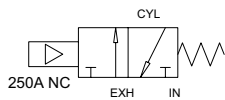
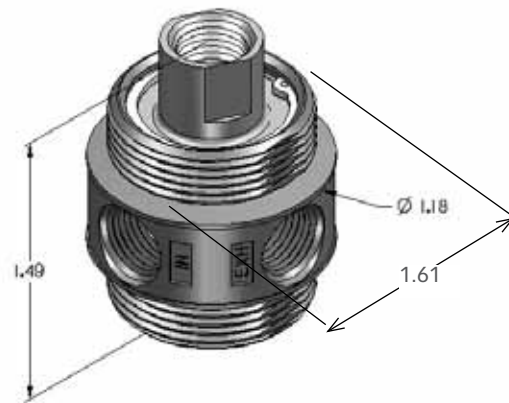
**These rugged 2- or 3- way valves are available in normally closed or normally open configurations, in standard or optional brass body construction (for alternate media).**

## Features and Benefits

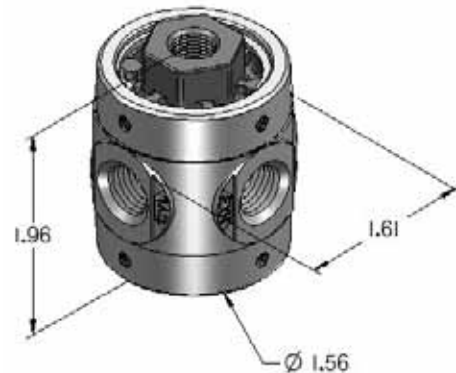
- "Bubble Tight" seal.
- Full ported 1/8" orifice, 1/8 PIPE ports, and 1/4" orifice, 1/4 PIPE ports.
- Fast cycling, high flow, quick exhaust.
- Reliable operation in lubricated or not lubricated systems. No sliding seals.
- Hard plumb mount, base mount, or panel mount (use panel mount nuts for 125 series or inverted mounting base for 250 series).
- Buna N seals standard. Fluorocarbon seals optional.



125A-NC



250A-NC



## SPECIFICATIONS


Design Principle:	Pressure Unbalanced – Air Return, Spring Assist
Porting Type:	2- or 3-Way
Port Size:	125: 1/8 PIPE; 250: 1/4 PIPE
Media:	Air, Inert Gas, Liquid (brass body)
Pressure Range:	0–125 PSIG
Temperature Range:	-20°F to 225°F
Flow @100 PSIG:	125: 18 CFM, 509 LPM (Cv=0.3) 250: 50 CFM, 1415 LPM (Cv=0.8)

## HOW TO OBTAIN SPECIFICATIONS FOR A PARTICULAR VALVE(S)

- ✓ Go directly to [www.humphrey-products.com/dynamic/products](http://www.humphrey-products.com/dynamic/products)
- ✓ Or, visit [www.humphrey-products.com](http://www.humphrey-products.com) and select "Online Product Guide."
- Once you have followed the steps to get the valve you need, select "Download Spec Sheet." Doing this will create a personalized PDF of the valve, which you may save to your computer and print at your convenience. These spec sheets are helpful when placing your order(s).

## HOW TO ORDER HUMPHREY VALVES AND ACCESSORIES

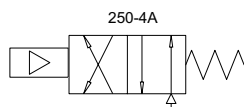
- ✓ Go directly to: [www.humphrey-products.com/?q=content/find-distributor](http://www.humphrey-products.com/?q=content/find-distributor)
- ✓ Or, visit [www.humphrey-products.com](http://www.humphrey-products.com), select "Find A Distributor," and input your information to locate a distributor nearest you.
- Or, call Customer Service at 1-800-477-8707 for the name and phone number of your local distributor.

 **HUMPHREY PRODUCTS ARE SOLD WORLD-WIDE THROUGH AUTHORIZED DISTRIBUTORS**

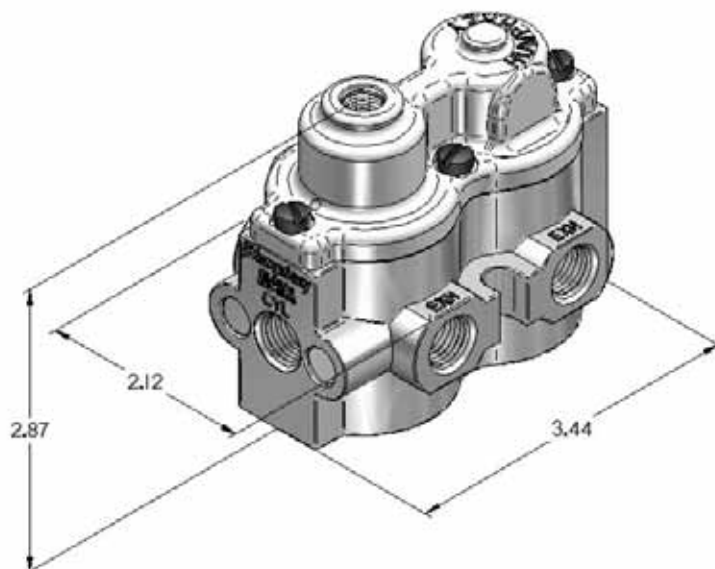
**250-4 Series Air-Pilot, 4-way Valves feature the classic Humphrey diaphragm-poppet principle, essentially two 3-way 250 series in a common body. The unbalanced, air-spring return design assures bubble-tight sealing actuated, or unactuated. Full porting permits fast cycling and quick exhaust.**

### Features and Benefits

- "Bubble Tight" seal.
- Full ported 1/4" orifice, 1/4 PIPE ports.
- Fast cycling, high flow, quick exhaust.
- Reliable operation in lubricated or not lubricated systems. No sliding seals.
- Hard plumb mount, use body threads or mounting base.
- Buna N seals standard. Fluorocarbon seals optional.



250-4A



#### HOW TO OBTAIN SPECIFICATIONS FOR A PARTICULAR VALVE(S)

- Go directly to [www.humphrey-products.com/dynamic/products](http://www.humphrey-products.com/dynamic/products)
- Or, visit [www.humphrey-products.com](http://www.humphrey-products.com) and select "Online Product Guide."
  - Once you have followed the steps to get the valve you need, select "Download Spec Sheet." Doing this will create a personalized PDF of the valve, which you may save to your computer and print at your convenience. These spec sheets are helpful when placing your order(s).

#### HOW TO ORDER HUMPHREY VALVES AND ACCESSORIES

- Go directly to: [www.humphrey-products.com/?q=content/find-distributor](http://www.humphrey-products.com/?q=content/find-distributor)
- Or, visit [www.humphrey-products.com](http://www.humphrey-products.com), select "Find A Distributor," and input your information to locate a distributor nearest you.
  - Or, call Customer Service at 1-800-477-8707 for the name and phone number of your local distributor.

**Humphrey HUMPHREY PRODUCTS ARE SOLD WORLD-WIDE THROUGH AUTHORIZED DISTRIBUTORS**

#### SPECIFICATIONS

Design Principle:	Pressure Unbalanced – Air Return, Spring Assist
Porting Type:	4-Way
Port Size:	1/4 PIPE
Media:	Air, Inert Gas
Pressure Range:	10–125 PSIG
Temperature Range:	-20°F to 225°F
Flow @100 PSIG:	50 CFM, 1415 LPM (Cv=0.8)

## 125AA, 250AA Valves

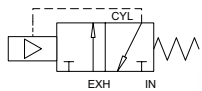
125AA, 250AA

**125 and 250 "AA" Series Air-Pilot Valves feature the classic Humphrey diaphragm-poppet principle, but incorporates an internal compensating orifice to achieve faster response and/or a momentary signal/maintained position functionality (see Air-Pilot Valves introduction page). The unbalanced, air-spring return design assures bubble-tight sealing actuated, or unactuated. Compact design permits close proximity mounting to the work.**

**These rugged 2- or 3-way valves are available normally closed.**

### Features and Benefits

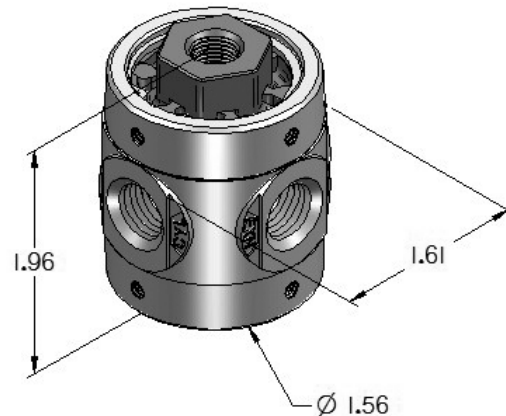
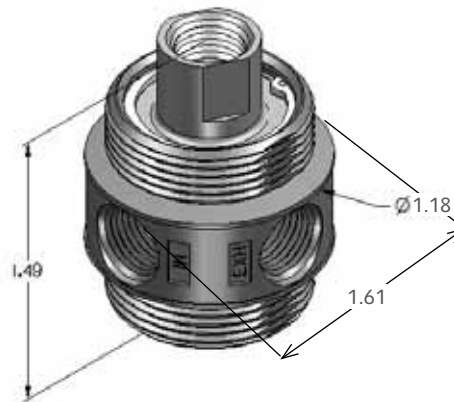
- "Bubble Tight" seal.
- Full ported 1/8" orifice, 1/8 PIPE, and 1/4" orifice, 1/4 PIPE.
- Fast cycling, high flow, quick exhaust.
- Reliable operation in lubricated or not lubricated systems. No sliding seals.
- Hard plumb mount, base mount, or panel mount (use panel mount nuts for 125 series or inverted mounting base for 250 series).
- Excellent for interlocking or sequencing applications.
- Buna N seals standard. Fluorocarbon seals optional.



125AA



250AA



### SPECIFICATIONS FOR 125AA AND 250AA


Design Principle:	Pressure Unbalanced – Air Return, Spring Assist
Porting Type:	2- or 3-Way
Port Size:	1/8, 1/4 PIPE
Media:	Air
Pressure Range:	125AA: 10–125 PSIG; 250AA: 15–125 PSIG
Temperature Range:	-20°F to 225°F
Flow @100 PSIG:	125AA: 18 CFM, 509 LPM (Cv=0.3) 250AA: 50 CFM, 1415 LPM (Cv=0.8)

### HOW TO OBTAIN SPECIFICATIONS FOR A PARTICULAR VALVE(S)

- ✓ Go directly to [www.humphrey-products.com/dynamic/products](http://www.humphrey-products.com/dynamic/products)
- ✓ Or, visit [www.humphrey-products.com](http://www.humphrey-products.com) and select "Online Product Guide."
- Once you have followed the steps to get the valve you need, select "Download Spec Sheet." Doing this will create a personalized PDF of the valve, which you may save to your computer and print at your convenience. These spec sheets are helpful when placing your order(s).

### HOW TO ORDER HUMPHREY VALVES AND ACCESSORIES

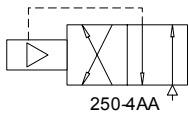
- ✓ Go directly to: [www.humphrey-products.com/?q=content/find-distributor](http://www.humphrey-products.com/?q=content/find-distributor)
- ✓ Or, visit [www.humphrey-products.com](http://www.humphrey-products.com), select "Find A Distributor," and input your information to locate a distributor nearest you.
- Or, call Customer Service at 1-800-477-8707 for the name and phone number of your local distributor.

 **HUMPHREY PRODUCTS ARE SOLD WORLD-WIDE THROUGH AUTHORIZED DISTRIBUTORS**

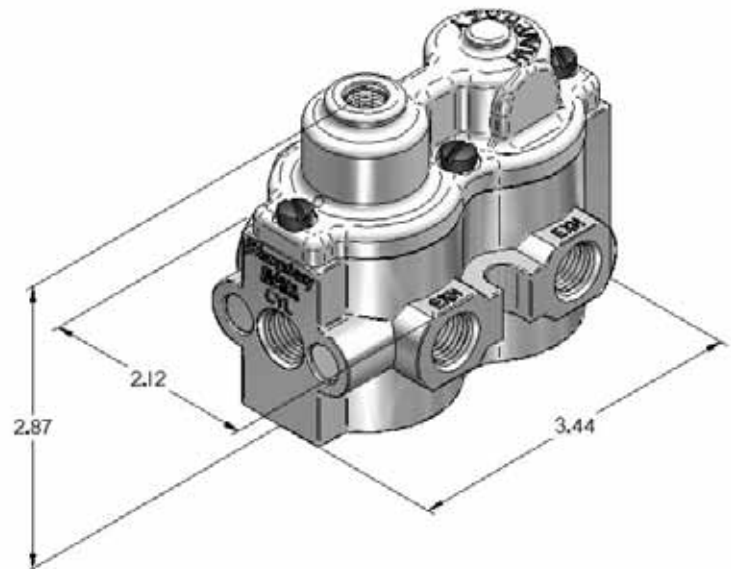
**250-4 "AA" Series Air-Pilot, 4-way Valves feature the classic Humphrey diaphragm-poppet principle, essentially two 3-way 250 series in a common body, but incorporates an internal compensating orifice to achieve faster response and/or a momentary signal/maintained position functionality (see Air-Pilot Valves introduction page). The unbalanced, air-spring return design assures bubble-tight sealing actuated, or unactuated. Full porting permits fast cycling and quick exhaust.**

### Features and Benefits

- "Bubble Tight" seal.
- Full ported 1/4" orifice, 1/4 pipe ports.
- Fast cycling, high flow, quick exhaust.
- Reliable operation in lubricated or not lubricated systems. No sliding seals.
- Hard plumb mount, body threads, or use mounting base.
- Excellent for interlocking or sequencing applications.
- Buna N seals standard. Fluorocarbon seals optional.



250-4AA




### HOW TO OBTAIN SPECIFICATIONS FOR A PARTICULAR VALVE(S)

- Go directly to [www.humphrey-products.com/dynamic/products](http://www.humphrey-products.com/dynamic/products)
- Or, visit [www.humphrey-products.com](http://www.humphrey-products.com) and select "Online Product Guide."
  - Once you have followed the steps to get the valve you need, select "Download Spec Sheet." Doing this will create a personalized PDF of the valve, which you may save to your computer and print at your convenience. These spec sheets are helpful when placing your order(s).

### HOW TO ORDER HUMPHREY VALVES AND ACCESSORIES

- Go directly to: [www.humphrey-products.com/?q=content/find-distributor](http://www.humphrey-products.com/?q=content/find-distributor)
- Or, visit [www.humphrey-products.com](http://www.humphrey-products.com), select "Find A Distributor," and input your information to locate a distributor nearest you.
  - Or, call Customer Service at 1-800-477-8707 for the name and phone number of your local distributor.

 **HUMPHREY PRODUCTS ARE SOLD WORLD-WIDE THROUGH AUTHORIZED DISTRIBUTORS**

### SPECIFICATIONS

Design Principle:	Pressure Unbalanced – Air Return, Spring Assist
Porting Type:	4-Way
Port Size:	1/4 IN
Media:	Air
Pressure Range:	15–125 PSIG
Temperature Range:	-20°F to 225°F
Flow @100 PSIG:	50 CFM, 1415 LPM (Cv=0.8)

## 125LA, 125AH Valves

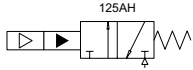
125LA, 125AH

**125 Series "Interface" Valves are ultra-low pilot pressure bleed valves. Pilot signaling pressures as low as 0.1 PSIG effectively blocks the bleed orifice and the internal, full pressure completes the shift to the actuated position. Primary valve is classic Humphrey diaphragm-poppet principle.**

**Ideal for fluidics, proximity switching and air jet sensing.**

### Features and Benefits

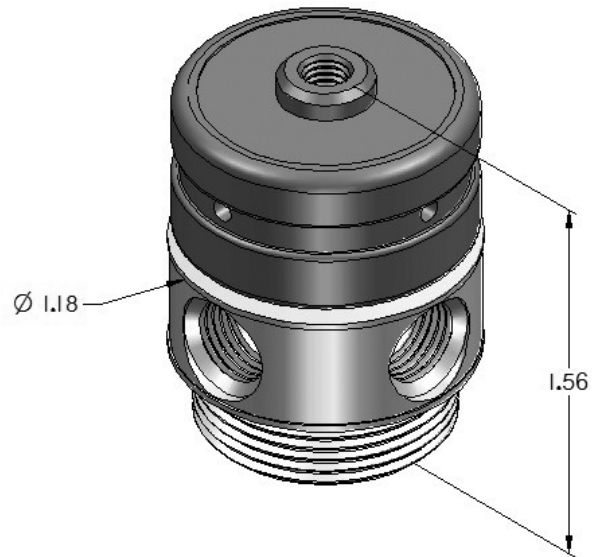
- Very fast cycling speeds.
- Super sensitive 125LA responds to 0.10–10 PSIG pilot pressure.
- Sensitive 125AH responds to 0.33–30 PSIG pilot pressure.
- Primary valve is 1/8" orifice, 1/8 PIPE ports.
- Threaded bottom for panel mount or optional subbase.
- Optional brass body.
- Optional bottom inlet.



125LA



125AH



### SPECIFICATIONS


Design Principle:	Pressure Unbalanced – Air Return, Spring Assist
Porting Type:	2- or 3-Way
Port Size:	1/8 PIPE
Media:	Air
Pressure Range:	30–125 PSIG
Temperature Range:	40°F to 125°F
Flow @100 PSIG:	14 CFM, 396 LPM (Cv=0.2)

### HOW TO OBTAIN SPECIFICATIONS FOR A PARTICULAR VALVE(S)

- ☞ Go directly to [www.humphrey-products.com/dynamic/products](http://www.humphrey-products.com/dynamic/products)
- ☞ Or, visit [www.humphrey-products.com](http://www.humphrey-products.com) and select "Online Product Guide."
- Once you have followed the steps to get the valve you need, select "Download Spec Sheet." Doing this will create a personalized PDF of the valve, which you may save to your computer and print at your convenience. These spec sheets are helpful when placing your order(s).

### HOW TO ORDER HUMPHREY VALVES AND ACCESSORIES

- ☞ Go directly to: [www.humphrey-products.com/?q=content/find-distributor](http://www.humphrey-products.com/?q=content/find-distributor)
- ☞ Or, visit [www.humphrey-products.com](http://www.humphrey-products.com), select "Find A Distributor," and input your information to locate a distributor nearest you.
- Or, call Customer Service at 1-800-477-8707 for the name and phone number of your local distributor.

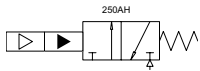
 **HUMPHREY PRODUCTS ARE SOLD WORLD-WIDE THROUGH AUTHORIZED DISTRIBUTORS**

**250 Series "Interface" Valves are ultra-low pilot pressure valves. Pilot signaling pressures as low as 0.1 PSIG effectively blocks the bleed orifice and the internal, full pressure completes the shift to the actuated position. Primary valve is classic Humphrey diaphragm-poppet principle.**

**Ideal for fluidics, proximity switching and air jet sensing.**

**Features and Benefits**

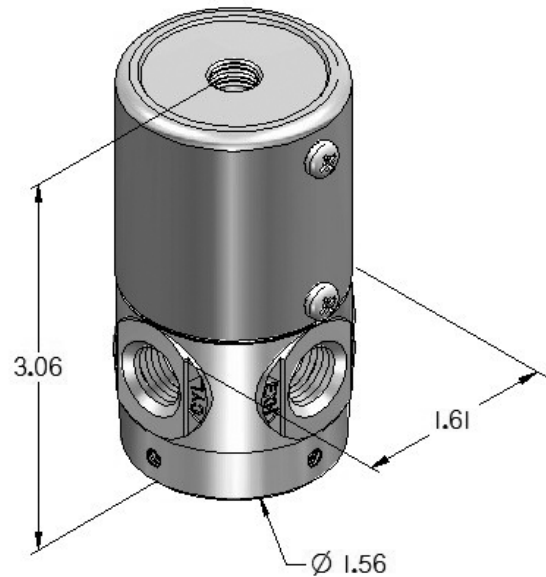
- Very fast cycling speeds.
- Super sensitive 250AL responds to 0.10–10 PSIG pilot pressure.
- Sensitive 250AH responds to 0.33–30 PSIG pilot pressure.
- Primary valve is 1/4" orifice, 1/4 PIPE ports.
- Optional brass body.
- Optional bottom inlet.



250AH



250AL



AIR-PILOT VALVES

**HOW TO OBTAIN SPECIFICATIONS FOR A PARTICULAR VALVE(S)**

- Go directly to [www.humphrey-products.com/dynamic/products](http://www.humphrey-products.com/dynamic/products)
- Or, visit [www.humphrey-products.com](http://www.humphrey-products.com) and select "Online Product Guide."
  - Once you have followed the steps to get the valve you need, select "Download Spec Sheet." Doing this will create a personalized PDF of the valve, which you may save to your computer and print at your convenience. These spec sheets are helpful when placing your order(s).

**HOW TO ORDER HUMPHREY VALVES AND ACCESSORIES**

- Go directly to: [www.humphrey-products.com/?q=content/find-distributor](http://www.humphrey-products.com/?q=content/find-distributor)
- Or, visit [www.humphrey-products.com](http://www.humphrey-products.com), select "Find A Distributor," and input your information to locate a distributor nearest you.
  - Or, call Customer Service at 1-800-477-8707 for the name and phone number of your local distributor.

**HUMPHREY PRODUCTS ARE SOLD WORLD-WIDE THROUGH AUTHORIZED DISTRIBUTORS**

**SPECIFICATIONS**

Design Principle:	Pressure Unbalanced – Air Return, Spring Assist
Porting Type:	2- or 3-Way
Port Size:	1/4 PIPE
Media:	Air
Pressure Range:	30–125 PSIG
Temperature Range:	40°F to 125°F
Flow @100 PSIG:	40 CFM, 1132 LPM (Cv=0.7)

## 500, 590 Valves

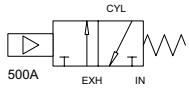
500A, 500AB, 590A, 590AB

**500 and 590 Series Air-Pilot Valves feature the classic Humphrey diaphragm-poppet principle. The unbalanced, air spring return design assures bubble-tight sealing actuated, or unactuated. Compact design permits close proximity mounting to the work and fast cycling/quick exhaust.**

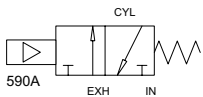
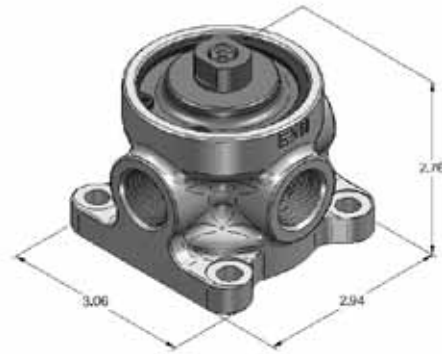
**These rugged 2- or 3-way valves are available normally closed, in cast aluminum or brass body construction. Consult factory representative for normally open.**

### Features and Benefits

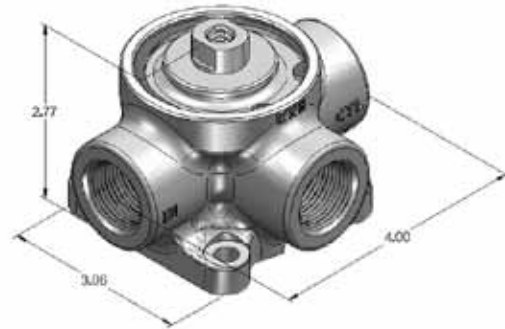
- "Bubble Tight" seal.
- Full ported 1/2" orifice, 1/2 PIPE ports, and 5/8" orifice, 3/4 PIPE ports.
- Fast cycling, high flow.
- Reliable operation in lubricated or not lubricated systems. No sliding seals.
- Hard plumb mount, or use body mounting holes.
- Buna N seals standard. Fluorocarbon seals optional.
- Booster type available for reduced pilot pressure (500AB, 590AB).



500A



590A



### SPECIFICATIONS FOR 500A AND 590A


Design Principle:	Pressure Unbalanced – Air Return, Spring Assist
Porting Type:	2- or 3-Way
Port Size:	1/2, 3/4 PIPE
Media:	Air, Inert Gas, Liquid (brass body)
Pressure Range:	0–125 PSIG
Temperature Range:	0°F to 225°F
Flow @100 PSIG:	500: 160 CFM, 4530 LPM (Cv=2.7) 590: 260 CFM, 7362 LPM (Cv=3.7)

### HOW TO OBTAIN SPECIFICATIONS FOR A PARTICULAR VALVE(S)

- Go directly to [www.humphrey-products.com/dynamic/products](http://www.humphrey-products.com/dynamic/products)
- Or, visit [www.humphrey-products.com](http://www.humphrey-products.com) and select "Online Product Guide."
- Once you have followed the steps to get the valve you need, select "Download Spec Sheet." Doing this will create a personalized PDF of the valve, which you may save to your computer and print at your convenience. These spec sheets are helpful when placing your order(s).

### HOW TO ORDER HUMPHREY VALVES AND ACCESSORIES

- Go directly to: [www.humphrey-products.com/?q=content/find-distributor](http://www.humphrey-products.com/?q=content/find-distributor)
- Or, visit [www.humphrey-products.com](http://www.humphrey-products.com), select "Find A Distributor," and input your information to locate a distributor nearest you.
- Or, call Customer Service at 1-800-477-8707 for the name and phone number of your local distributor.

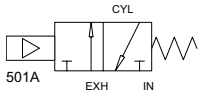
 **HUMPHREY PRODUCTS ARE SOLD WORLD-WIDE THROUGH AUTHORIZED DISTRIBUTORS**

**Humphrey piston-poppet, 501A and 501-4A, 1/2 PIPE port, Air-Pilot Valve series, achieves fully ported, high flow relative to overall size. Hard coated, cast aluminum body permits resistance to wear and easy mounting/plumbing. The pressure unbalanced piston poppet design achieves greater flow than comparable 1/2" valves and millions of trouble-free cycles.**

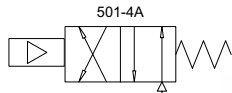
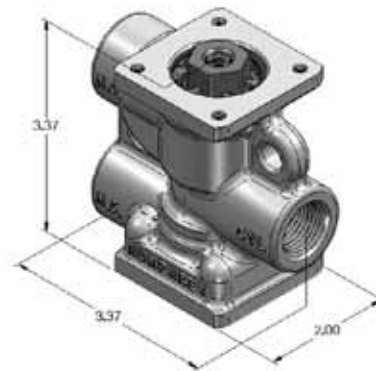
**Available as 2- or 3-way models, normally open or normally closed, and 4-way models.**

**Features and Benefits**

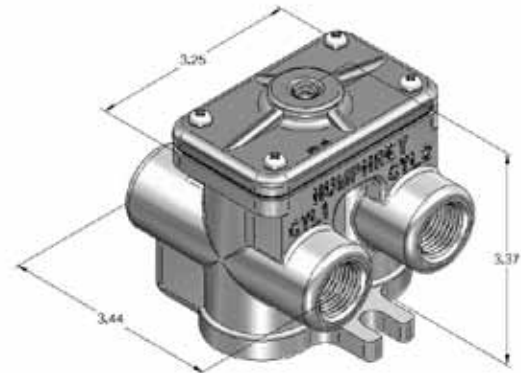
- Low leak rate.
- Full ported 1/2" orifice, 1/2 PIPE ports.
- "Flow through" construction achieves greater flow than competition.
- Short stroke and quick exhaust permits fast cycling.
- Mount in any position, via body mounting holes or base (3-way) or body mounting lugs (4-way).
- Plug for 2-way service.
- Also available as "AA" functionality (air only, see "Introduction," p. 42).



501A



501-4AA



501-4A

**HOW TO OBTAIN SPECIFICATIONS FOR A PARTICULAR VALVE(S)**

- Go directly to [www.humphrey-products.com/dynamic/products](http://www.humphrey-products.com/dynamic/products)
- Or, visit [www.humphrey-products.com](http://www.humphrey-products.com) and select "Online Product Guide."
- Once you have followed the steps to get the valve you need, select "Download Spec Sheet." Doing this will create a personalized PDF of the valve, which you may save to your computer and print at your convenience. These spec sheets are helpful when placing your order(s).

**HOW TO ORDER HUMPHREY VALVES AND ACCESSORIES**

- Go directly to: [www.humphrey-products.com/?q=content/find-distributor](http://www.humphrey-products.com/?q=content/find-distributor)
- Or, visit [www.humphrey-products.com](http://www.humphrey-products.com), select "Find A Distributor," and input your information to locate a distributor nearest you.
- Or, call Customer Service at 1-800-477-8707 for the name and phone number of your local distributor.

**Humphrey HUMPHREY PRODUCTS ARE SOLD WORLD-WIDE THROUGH AUTHORIZED DISTRIBUTORS**

**SPECIFICATIONS FOR 501A(A) AND 501-4A(A)**

Design Principle:	Pressure Unbalanced – Air Return, Spring Assist
Porting Type:	2-, 3- or 4-Way
Port Size:	1/2 PIPE
Media:	Air, Inert Gas
Pressure Range:	A= 0–125 PSIG; AA=15–125 PSIG
Temperature Range:	-30°F to 225°F
Flow @100 PSIG:	501: 220 CFM, 6229 LPM (Cv=3.5) 501-4: 170 CFM, 4813 LPM (Cv=2.5)

## H110-4A and H180-4A Valves

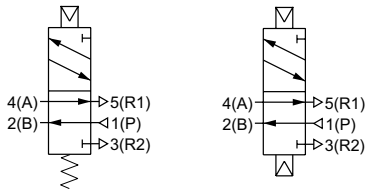
H110-4A, H110-4A2, HA110-4A, HA110-4A2, H180-4A, H180-4A2, HA180-4A, HA180-4A2

**H110 and H180 Series Air-Pilot directional control valves achieve 0.23 and 0.57 Cv flow capacity in a 15mm and 18mm width. These valves are a popular choice for operating medium-size cylinders, up to 2.5" bore.**

**5-port models available as inline valves or manifold mount on two manifold configurations, A or F type.**

### Features and Benefits

- Compact 15mm and 18mm size.
- High flow.
- Clean appearance.
- Models: Single air-pilot, air spring return, or double air-pilot, detent.



Base Model	Nominal Dimensions (inch)		
	L	H	W
H(A)110-4A	1.83	0.95	0.59
H(A)110-4A2	1.97		
H(A)180-4A	2.54	1.06	0.71
H(A)180-4A2	2.76		

For information on manifolds for either of these valve series, please refer to pages 32-33.



H110-4A2, H110-4A, HA110-4A



HA180-4A2, HA180-4A, H180-4A

### SPECIFICATIONS


Design Principle:	Pressure Balanced – Air Return, Spring Assist
Porting Type:	4-Way
Port Size:	10-32 UNF, 1/8 PIPE
Media:	Air, Inert Gas
Pressure Range:	22–102 PSIG
Temperature Range:	41°F to 122°F
Flow @100 PSIG:	H110: 14 CFM, 396 LPM (Cv=0.2) H180: 33 CFM, 934 LPM (Cv=0.6)

### HOW TO OBTAIN SPECIFICATIONS FOR A PARTICULAR VALVE(S)

- Go directly to [www.humphrey-products.com/dynamic/products](http://www.humphrey-products.com/dynamic/products)
- Or, visit [www.humphrey-products.com](http://www.humphrey-products.com) and select "Online Product Guide."
- Once you have followed the steps to get the valve you need, select "Download Spec Sheet." Doing this will create a personalized PDF of the valve, which you may save to your computer and print at your convenience. These spec sheets are helpful when placing your order(s).

### HOW TO ORDER HUMPHREY VALVES AND ACCESSORIES

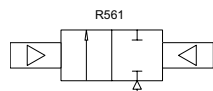
- Go directly to: [www.humphrey-products.com/?q=content/find-distributor](http://www.humphrey-products.com/?q=content/find-distributor)
- Or, visit [www.humphrey-products.com](http://www.humphrey-products.com), select "Find A Distributor," and input your information to locate a distributor nearest you.
- Or, call Customer Service at 1-800-477-8707 for the name and phone number of your local distributor.

 **HUMPHREY PRODUCTS ARE SOLD WORLD-WIDE THROUGH AUTHORIZED DISTRIBUTORS**

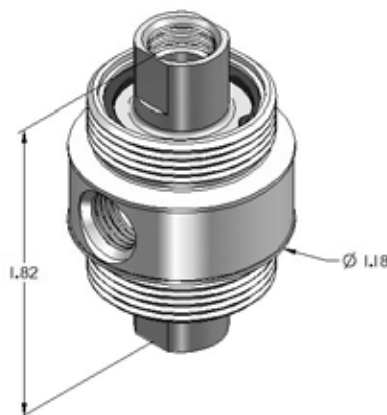
**125 and 250 Series Air-Pilot "Glue" valves feature the classic Humphrey diaphragm-poppet in a double air-pilot, 2-way configuration. The design assures a tight seal actuated, or unactuated. Compact design permits close proximity mounting to the work and fast cycling, clean performance, "suck back" when closing.**

**Features and Benefits**

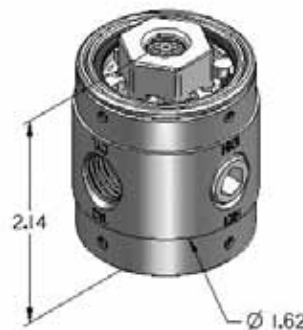
- Full ported R561, R322C 1/8" orifice and 1/8" PIPE ports, and R332 1/4" orifice, 1/4 PIPE ports.
- Fast cycling, high flow.
- Hard plumb mount, or panel mount using nuts or mounting base, via the 1"-20 UNEF body mounting threads (125 series) or mounting base (250 series).
- Fluorocarbon seals (R322C, R332); Teflon coated (R561).



**R561, R322C**



**R332**



**HOW TO OBTAIN SPECIFICATIONS FOR A PARTICULAR VALVE(S)**

- Go directly to [www.humphrey-products.com/dynamic/products](http://www.humphrey-products.com/dynamic/products)
- Or, visit [www.humphrey-products.com](http://www.humphrey-products.com) and select "Online Product Guide."
- Once you have followed the steps to get the valve you need, select "Download Spec Sheet." Doing this will create a personalized PDF of the valve, which you may save to your computer and print at your convenience. These spec sheets are helpful when placing your order(s).

**HOW TO ORDER HUMPHREY VALVES AND ACCESSORIES**

- Go directly to: [www.humphrey-products.com/?q=content/find-distributor](http://www.humphrey-products.com/?q=content/find-distributor)
- Or, visit [www.humphrey-products.com](http://www.humphrey-products.com), select "Find A Distributor," and input your information to locate a distributor nearest you.
- Or, call Customer Service at 1-800-477-8707 for the name and phone number of your local distributor.

**Humphrey HUMPHREY PRODUCTS ARE SOLD WORLD-WIDE THROUGH AUTHORIZED DISTRIBUTORS**

**SPECIFICATIONS**

Design Principle:	Pressure Unbalanced – Double Air-Pilot
Porting Type:	2-Way
Port Size:	1/8, 1/4 PIPE
Media:	Glue; Consult factory representative for others
Pressure Range:	0–35 PSIG (pilot pressure: maintained and => body pressure)
Temperature Range:	-20°F to 225°F
Flow @100 PSIG:	R322C, R561: Cv=0.3, LPM=7.6 R332: Cv=0.8, LPM=22.5

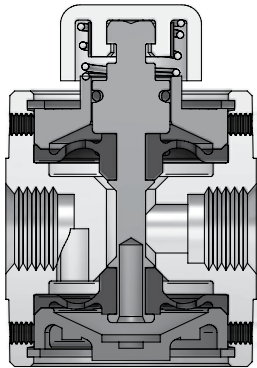
# MANUAL AND MECHANICAL VALVES

## INTRODUCTION

*Humphrey Manual and Mechanical Air Valves feature the exclusive diaphragm-poppet design originated by Humphrey. The design consists of two specially contoured diaphragms mounted to an axial stem within a full orifice valve body. This classic design is simple, versatile, and highly reliable. Valves of this design perform equally well with or without air supply lubrication, and better than competitive products when under poor air conditions.*

Humphrey Manual and Mechanical valves are available in 2-, 3- and 4-way porting types, and in a variety of rugged actuator styles.

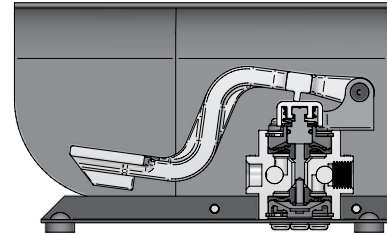
- Manual actuator styles: Push Button, Palm Button, Low-Force Palm, Detented Palm, Foot, Finger Tip, Toggle and Hand.
- Mechanical actuator styles: Ball, Plunger, Cam and Overstroke-Compensated Cam.



250P-3-10-20  
Push Button, Unactuated

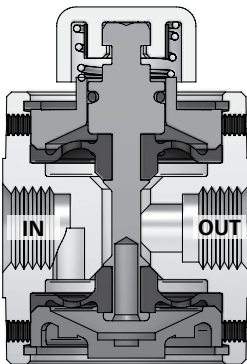
### MANUAL/MECHANICAL VALVE FEATURES:

- Simple construction
- No lubrication
- Reliable Operation
- Compact and Lightweight
- Rugged
- Cost effective



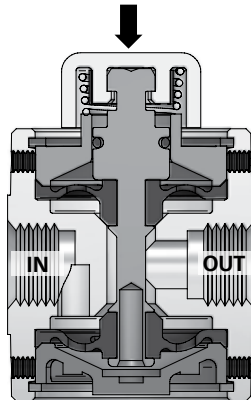
250-4F  
Four-Way Foot, Unactuated

### FLOW PATH, BASIC NORMALLY CLOSED (NC) AND NORMALLY OPEN (NO) VALVES



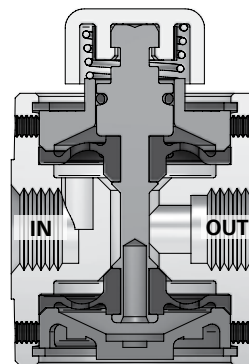
250 NC, Unactuated

Media applied to IN routes down, passing through perforations in bottom diaphragm-poppet and becomes primary force holding valve closed. Top diaphragm-poppet is not seated, so OUT port is open to EXHAUST port (backside, not shown).



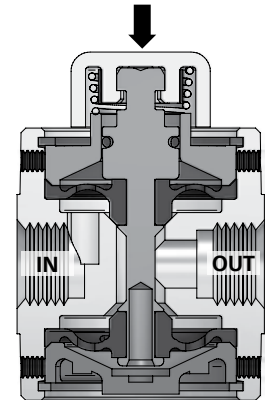
250 NC, Actuated

When the button is depressed, the top diaphragm-poppet seats, while bottom diaphragm-poppet opens, allowing media to pass through to OUT port, while EXHAUST port (backside, not shown), becomes blocked.



250 NO, Unactuated

Media applied to IN routes up, passing by unseated diaphragm-poppet to OUT port, and becomes primary force holding valve open. Bottom diaphragm-poppet is seated and OUT port is blocked from the EXHAUST port (backside, not shown).



250 NO, Actuated

When the button is depressed, the top diaphragm-poppet seats, while bottom diaphragm-poppet opens, allowing media to become blocked from OUT port, while EXHAUST port (backside, not shown), becomes open to OUT port.



TAC Valves



Three-Way Valves



Four-Way Valves

MANUAL AND MECHANICAL VALVES

<b>2-, 3-WAY VALVES</b>		<b>Ports</b>	<b>CFM*</b>	<b>Valves</b>	<b>Page</b>
<b>SMALL</b>	TAC	10-32	6	2P, 3P, 2V, 3V	66-67
	TAC2	1/8	18	31P, 31PPX, 31V, 31V	68-69
	125 Series Manual	1/8	18	125PLG, 125P, 125HO, 125T, 125V	56-57
	125 Series Mechanical	1/8	18	125B, 125MC, 125MP	62-63
<b>LARGE</b>	250 Series Manual	1/4	50	250P, 250PL, 250F, 250V, 250HO, 250T	58-59
	250 Series Mechanical	1/4	50	250C	62-63
	501 Series Manual	1/2	220	501V	61
	500 Series Mechanical	1/2	160	500C	61

<b>4-WAY VALVES</b>		<b>Ports</b>	<b>CFM*</b>	<b>Valves</b>	<b>Page</b>
<b>SMALL</b>	TAC	10-32	9	4P, 4PP, 4PPX, 4V	66-67
	TAC2	1/8	18	41P, 41PP, 41PPX, 41V	68-69
	TAC three-position	1/8	6	41R-D(S)3, 41T-D(S)3	68-69
<b>LARGE</b>	TAC3	1/4	31	42P, 42PP, 42PA	70
	250-4 Series	1/4	50	250-4F, 250-4H	60

\*Nominal flow @100 psi



<b>Force to Actuate @100 PSIG (lbs.) Manual or Mechanical Actuator Code</b>	<b>B</b>	<b>C</b>	<b>F</b>	<b>H</b>	<b>HO</b>	<b>MC</b>	<b>MP</b>	<b>P</b>	<b>PL</b>	<b>PLG</b>	<b>T</b>	<b>V</b>
125	8				7	5	8	8		3	4	2
250		11	5		14			23	21		5	3
250-4			13	4								
501												4

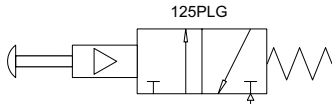
## 125 Manual Valves

125PLG, 125P, 125HO, 125T, 125V

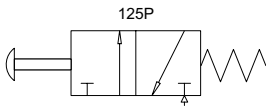
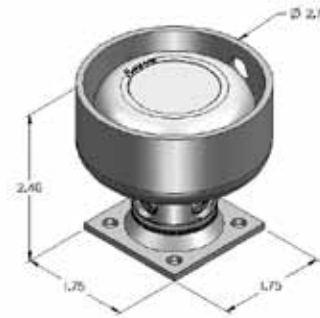
**125 Series Manual Valves feature the classic Humphrey diaphragm-poppet principle. The unbalanced, air/spring return design assures bubble-tight sealing actuated, or unactuated. Compact design permits close proximity mounting to the work and fast cycling/quick exhaust. These rugged 2- or 3-way valves are available in normally closed or normally open configurations, in standard or optional brass body construction (for alternate media).**

### Features and Benefits

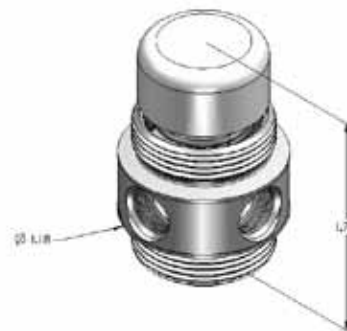
- "Bubble Tight" seal.
- Full ported 1/8" orifice, 1/8 PIPE ports.
- Fast cycling, high flow, quick exhaust.
- Reliable operation in lubricated or not lubricated air supply systems. No sliding seals.
- Hard plumb mount, base mount, or panel mount using nuts or mounting base, via the 1"-20 UNEF body mounting threads or mounting base.
- Buna N seals standard. Fluorocarbon seals optional.



125PLG – Large Push Button



125P – Push Button



### SPECIFICATIONS

Design Principle: Pressure Unbalanced, Air Return, Spring Assist

Porting Type: 2- or 3-Way

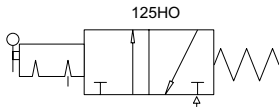
Port Size: 1/8 PIPE

Media: Air, Inert Gas

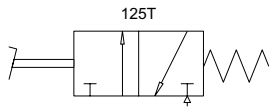
Pressure Range: 0–125 PSIG; PLG: 30–125 PSIG

Temperature Range: -20°F to 225°F

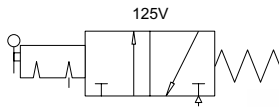
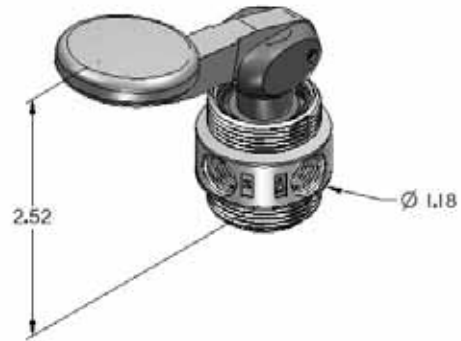
Flow @100 PSIG: 18 CFM, 509 LPM (Cv=0.3)



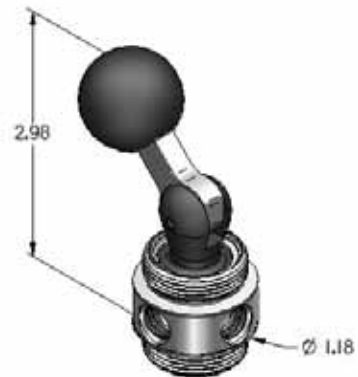
**125HO - Hold On**



**125T - Finger Tip**



**125V - Toggle**



**HOW TO OBTAIN SPECIFICATIONS FOR A PARTICULAR VALVE(S)**

- ☞ Go directly to [www.humphrey-products.com/dynamic/products](http://www.humphrey-products.com/dynamic/products)
- ☞ Or, visit [www.humphrey-products.com](http://www.humphrey-products.com) and select "Online Product Guide."
- Once you have followed the steps to get the valve you need, select "Download Spec Sheet." Doing this will create a personalized PDF of the valve, which you may save to your computer and print at your convenience. These spec sheets are helpful when placing your order(s).

**HOW TO ORDER HUMPHREY VALVES AND ACCESSORIES**

- ☞ Go directly to: [www.humphrey-products.com/?q=content/find-distributor](http://www.humphrey-products.com/?q=content/find-distributor)
- ☞ Or, visit [www.humphrey-products.com](http://www.humphrey-products.com), select "Find A Distributor," and input your information to locate a distributor nearest you.
- Or, call Customer Service at 1-800-477-8707 for the name and phone number of your local distributor.



**HUMPHREY PRODUCTS ARE SOLD WORLD-WIDE THROUGH AUTHORIZED DISTRIBUTORS**

## 250 Manual Valves

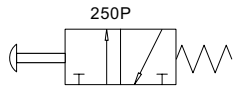
250P, 250PL, 250F, 250V, 250HO, 250T

**250 Series Manual Valves feature the classic Humphrey diaphragm-poppet principle. The unbalanced, air/spring return design assures bubble-tight sealing actuated, or unactuated. Compact design permits close proximity mounting to the work and fast cycling/quick exhaust.**

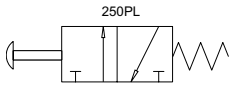
**These rugged 2- or 3-way valves are available in normally closed or normally open configurations, in standard or optional brass-body construction (for alternate media).**

### Features and Benefits

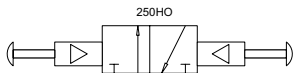
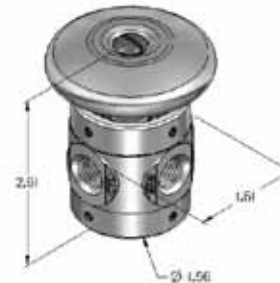
- "Bubble Tight" seal.
- Full ported 1/4" orifice, 1/4 PIPE ports.
- Fast cycling, high flow, quick exhaust.
- Reliable operation in lubricated or not lubricated air supply systems. No sliding seals.
- Hard plumb mount, or panel mount using mounting base or mounting base.
- Buna N seals standard. Fluorocarbon seals optional.



250P – Push Button



250PL – Large Push Button

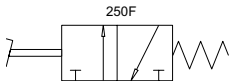


250HO – Hold On

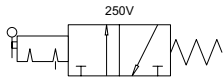
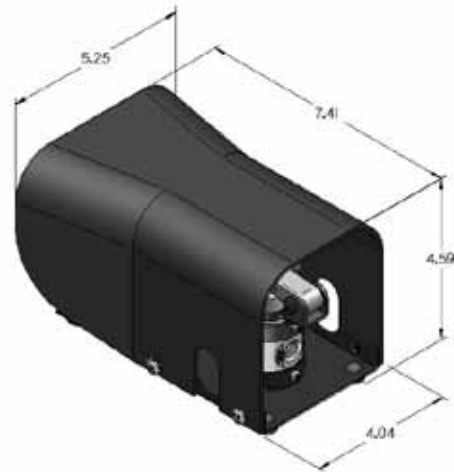


### SPECIFICATIONS

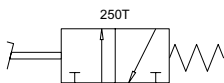
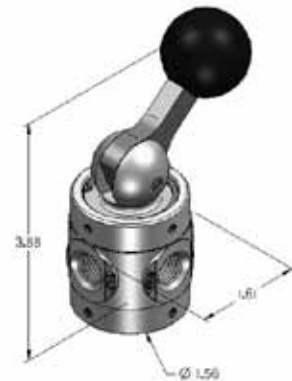
Design Principle:	Pressure Unbalanced, Air Return, Spring Assist	Media:	Air, Inert Gas
Porting Type:	2- or 3-Way	Pressure Range:	0–125 PSIG; HO: 25–125 PSIG
Port Size:	1/4 PIPE	Temperature Range:	-20° to 225°F
		Flow @100 PSIG:	50 CFM, 1415 LPM (Cv=0.8)



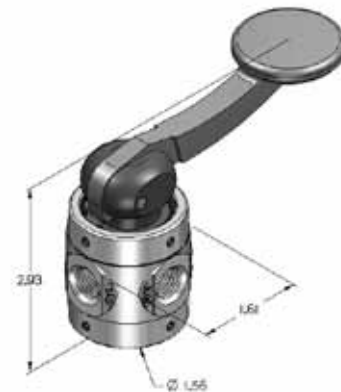
250F – Foot Valve



250V – Toggle



250T – Finger Tip



MANUAL AND MECHANICAL VALVES

**HOW TO OBTAIN SPECIFICATIONS FOR A PARTICULAR VALVE(S)**

- ☞ Go directly to [www.humphrey-products.com/dynamic/products](http://www.humphrey-products.com/dynamic/products)
- ☞ Or, visit [www.humphrey-products.com](http://www.humphrey-products.com) and select "Online Product Guide."
- Once you have followed the steps to get the valve you need, select "Download Spec Sheet." Doing this will create a personalized PDF of the valve, which you may save to your computer and print at your convenience. These spec sheets are helpful when placing your order(s).

**HOW TO ORDER HUMPHREY VALVES AND ACCESSORIES**

- ☞ Go directly to: [www.humphrey-products.com/?q=content/find-distributor](http://www.humphrey-products.com/?q=content/find-distributor)
- ☞ Or, visit [www.humphrey-products.com](http://www.humphrey-products.com), select "Find A Distributor," and input your information to locate a distributor nearest you.
- Or, call Customer Service at 1-800-477-8707 for the name and phone number of your local distributor.



**HUMPHREY PRODUCTS ARE SOLD WORLD-WIDE THROUGH AUTHORIZED DISTRIBUTORS**

## 250-4 Manual Valves

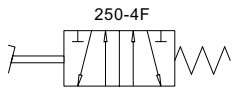
250-4F, 250-4H

**250-4F Series Foot Valve features the classic Humphrey diaphragm-poppet principle in a two position, 4-way configuration. The unbalanced, air/spring return design assures bubble-tight sealing actuated, or unactuated. Rugged 12-gauge steel guard protects valve and foot from falling objects. Peddle bottoms out, preventing over stroke and valve damage.**

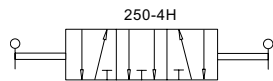
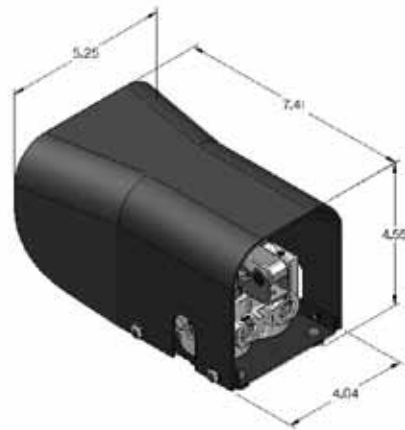
**250-4H Series Hand/Lever Valve in the diaphragm poppet series achieves three position, 4-way function. Shipped normally closed/normally closed (Exhaust Center position) as standard.**

### Features and Benefits

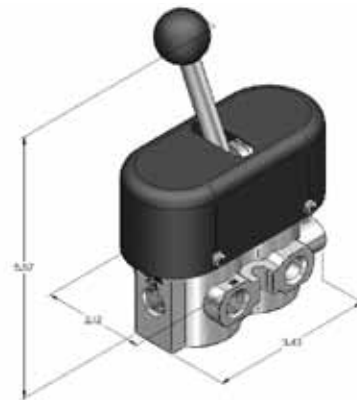
- "Bubble Tight" seal.
- Great value compared to competitive models.
- Full ported 1/4" orifice, 1/4 PIPE ports.
- High flow, quick exhaust.
- Reliable operation in lubricated or not lubricated systems. No sliding seals.
- Foot Valve requires no mount. Remove grommets to hard mount.
- Mount Hand Valve via body threads or mounting base.
- Buna N seals standard. Fluorocarbon seals optional.



250-4F – Foot Valve



250-4H – Hand Valve



### SPECIFICATIONS


Design Principle:	Pressure Unbalanced, Air Return, Spring Assist
Porting Type:	4-Way
Port Size:	1/4 PIPE
Media:	Air, Inert Gas
Pressure Range:	0–125 PSIG
Temperature Range:	-20°F to 225°F
Flow @100 PSIG:	50 CFM, 1415 LPM (Cv=0.8)

### HOW TO OBTAIN SPECIFICATIONS FOR A PARTICULAR VALVE(S)

- ✓ Go directly to [www.humphrey-products.com/dynamic/products](http://www.humphrey-products.com/dynamic/products)
- ✓ Or, visit [www.humphrey-products.com](http://www.humphrey-products.com) and select "Online Product Guide."
- Once you have followed the steps to get the valve you need, select "Download Spec Sheet." Doing this will create a personalized PDF of the valve, which you may save to your computer and print at your convenience. These spec sheets are helpful when placing your order(s).

### HOW TO ORDER HUMPHREY VALVES AND ACCESSORIES

- ✓ Go directly to: [www.humphrey-products.com/?q=content/find-distributor](http://www.humphrey-products.com/?q=content/find-distributor)
- ✓ Or, visit [www.humphrey-products.com](http://www.humphrey-products.com), select "Find A Distributor," and input your information to locate a distributor nearest you.
- Or, call Customer Service at 1-800-477-8707 for the name and phone number of your local distributor.

 **HUMPHREY PRODUCTS ARE SOLD WORLD-WIDE THROUGH AUTHORIZED DISTRIBUTORS**

**The Humphrey piston-poppet, 501V Series 1/2 PIPE port, detented lever valve, achieves fully ported, high flow relative to overall size. Hard coated, cast aluminum body permits resistance to wear and easy mounting/plumbing. The pressure unbalanced piston-poppet design achieves greater flow than comparable 1/2" orifice valves and millions of trouble-free cycles.**

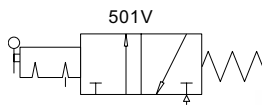
**500C Series Cam Operated Mechanical Valves feature the classic Humphrey diaphragm-poppet principle in high-low design. The unbalanced, air spring return design assures bubble-tight sealing actuated, or unactuated.**

**501V Features and Benefits**

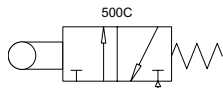
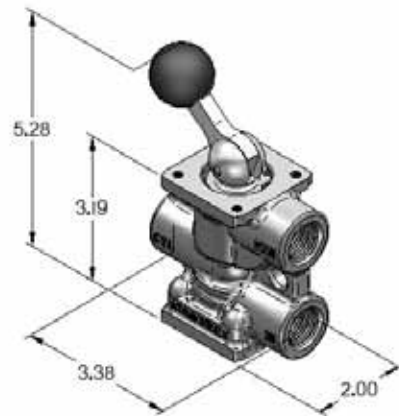
- Low leak rate.
- 1/2" orifice, 1/2 PIPE ports.
- High flow, quick exhaust.
- Buna N seals standard. Fluorocarbon seals optional.

**500C Features and Benefits**

- Low leak rate.
- 1/2" orifice, 1/2 PIPE ports.
- High flow, quick exhaust.
- Buna N seals standard. Fluorocarbon seals optional.
- Mount with body mounting holes.



501V



500C



**HOW TO OBTAIN SPECIFICATIONS FOR A PARTICULAR VALVE(S)**

- Go directly to [www.humphrey-products.com/dynamic/products](http://www.humphrey-products.com/dynamic/products)
- Or, visit [www.humphrey-products.com](http://www.humphrey-products.com) and select "Online Product Guide."
- Once you have followed the steps to get the valve you need, select "Download Spec Sheet." Doing this will create a personalized PDF of the valve, which you may save to your computer and print at your convenience. These spec sheets are helpful when placing your order(s).

**HOW TO ORDER HUMPHREY VALVES AND ACCESSORIES**

- Go directly to: [www.humphrey-products.com/?q=content/find-distributor](http://www.humphrey-products.com/?q=content/find-distributor)
- Or, visit [www.humphrey-products.com](http://www.humphrey-products.com), select "Find A Distributor," and input your information to locate a distributor nearest you.
- Or, call Customer Service at 1-800-477-8707 for the name and phone number of your local distributor.

**Humphrey HUMPHREY PRODUCTS ARE SOLD WORLD-WIDE THROUGH AUTHORIZED DISTRIBUTORS**

**SPECIFICATIONS FOR 501V AND 500C**

Design Principle:	Pressure Unbalanced, Air Return, Spring Assist
Porting Type:	3-Way
Port Size:	1/2 PIPE
Media:	Air, Inert Gas
Pressure Range:	0-125 PSIG
Temperature Range:	-20°F to 225°F
Flow @100 PSIG:	501: 220 CFM, 6229 LPM (Cv=3.5) 500: 160 CFM, 4530 LPM (Cv=2.7)

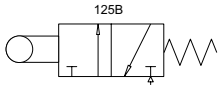
## 125/250 Mechanical Valves

125B, 125MP, 125MC, 250C

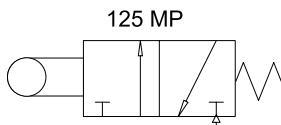
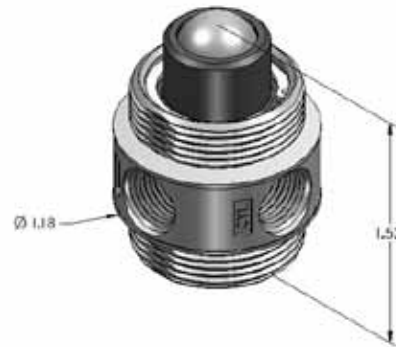
**125/250 Series Mechanical Valves feature the classic Humphrey diaphragm-poppet principle. The unbalanced, air spring return design assures bubble-tight sealing actuated, or unactuated. Compact design permits close proximity mounting to the work and fast cycling/quick exhaust. These rugged 2- or 3-way valves are available in normally closed or normally open configurations, in standard or optional brass-body construction (for alternate media).**

### Features and Benefits

- "Bubble Tight" seal.
- Full ported 1/8" or 1/4" orifice, 1/8 or 1/4 PIPE ports.
- Fast cycling, high flow, quick exhaust.
- Reliable operation in lubricated or not lubricated air supply systems. No sliding seals.
- Hard plumb mount, or panel mount using nuts or mounting base, via the 1"-20 UNEF body mounting threads (125 series) or mounting base (250 series).
- Buna N seals standard. Fluorocarbon seals optional.



125B – Ball Cam



125MP – Plunger



### SPECIFICATIONS FOR 125 MECHANICAL AND 250 MECHANICAL

Design Principle: Pressure Unbalanced, Air Return, Spring Assist

Porting Type: 2- or 3-Way

Port Size: 1/8, 1/4 PIPE

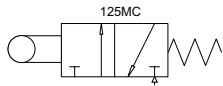
Media: Air, Inert Gas, Liquid

Pressure Range: 0–125 PSIG

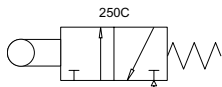
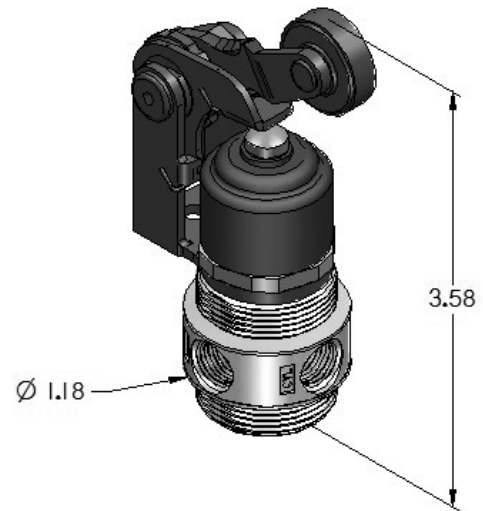
Temperature Range: -20°F to 225°F

Flow @100 PSIG: 125: 18 CFM, 509 LPM (Cv=0.3)

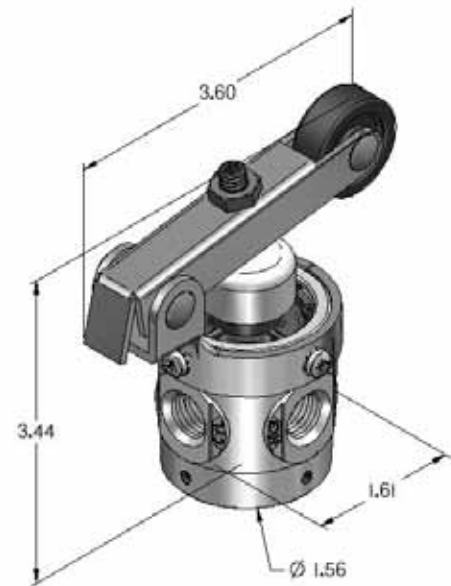
250: 50 CFM, 1415 LPM (Cv=0.8)



125MC – Roller Cam



250C – Roller Cam



**HOW TO OBTAIN SPECIFICATIONS FOR A PARTICULAR VALVE(S)**

- ☞ Go directly to [www.humphrey-products.com/dynamic/products](http://www.humphrey-products.com/dynamic/products)
- ☞ Or, visit [www.humphrey-products.com](http://www.humphrey-products.com) and select "Online Product Guide."
- Once you have followed the steps to get the valve you need, select "Download Spec Sheet." Doing this will create a personalized PDF of the valve, which you may save to your computer and print at your convenience. These spec sheets are helpful when placing your order(s).

**HOW TO ORDER HUMPHREY VALVES AND ACCESSORIES**

- ☞ Go directly to: [www.humphrey-products.com/?q=content/find-distributor](http://www.humphrey-products.com/?q=content/find-distributor)
- ☞ Or, visit [www.humphrey-products.com](http://www.humphrey-products.com), select "Find A Distributor," and input your information to locate a distributor nearest you.
- Or, call Customer Service at 1-800-477-8707 for the name and phone number of your local distributor.

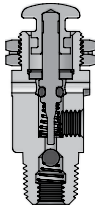


**HUMPHREY PRODUCTS ARE SOLD WORLD-WIDE THROUGH AUTHORIZED DISTRIBUTORS**

# TAC VALVES

## INTRODUCTION

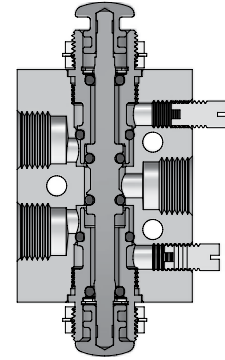
Based on their long life, small size, rugged construction and attractive appearance, the Humphrey TAC, TAC2 and TAC3 family of manual/mechanical air valves are popular choices by design automation engineers. The small stainless steel push button or plated-steel toggle are popular for panel mounting solutions to start, sequence or control equipment with the same outward appearance as traditional electric-style machine controls. The wide variety of valves is available as 2-, 3- and 4-way, in three sizes, and either spring return or detent function. Unique and miniature, three-position, 4-way, exhaust-center valves, in toggle or rocker operator, are also available.



3P

### TAC VALVE FEATURES:

- Work-hardened, SST button attached, as standard.
- Button bottoms out, limits overstroke/internal damage.
- TAC bodies include hex for wrench engagement.
- Electric style, 15/32-32 threaded collar for panel mount.
- "Building block" approach to pneumatic automation.
- Unique "Air Operators" simplify pneumatic circuitry.



41PP

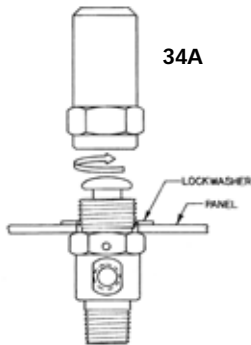
## HUMPHREY TAC "TOTAL AIR CONTROL" SYSTEM

Humphrey asserts pneumatic logic and sequencing provides a simple, reliable, cost effective alternative to PC or PLC control. Many of today's simpler machine control, secondary operations, and assembly fixtures do not require, or sometimes even permit expensive PC or PLC control, particularly in hazardous environments.

The heart of Humphrey TAC "Total Air Control" system is the push button valve. All TAC/TAC2 push button valves are produced with a single-button operator design, such that a variety of manual, mechanical, or air-pilot operators

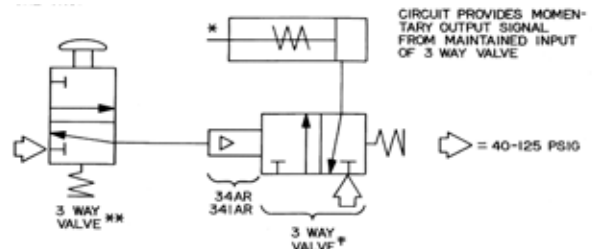
can be added with ease (i.e., thread-on air operator, 34A, to 3P valve, and 3P push button valve becomes air-pilot valve). Consult factory representative for TAC3 push button valves.

Complementing the TAC and TAC2 valve line-up, Humphrey offers a variety of valve operators, auxiliary items, and miniature fittings, effectively "arming" the engineer technician with a complete toolbox of logic items to resolve factory automation problems pneumatically.



34A

3P Push Button

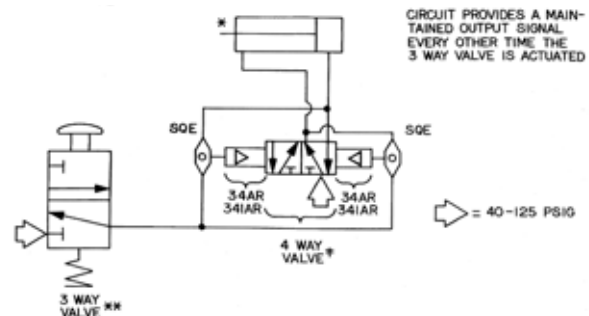


\* Single acting cylinder shown.

\*\*Valve used can be any 3-way or from one side of any 4-way.

† Valve used with 34AR or 341AR operator must be TAC Series, but can be 2-, 3-, or 4-way depending on work function.

### One Shot

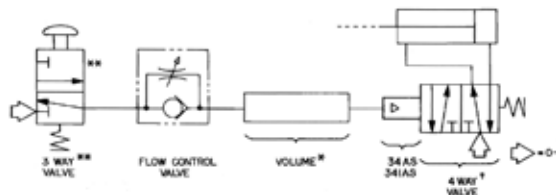


\* Double acting cylinder shown. Single acting cylinder can be used.

† Valve used with 34AR or 341AR operator must be TAC Series 4-way model: 4PP, 41PP, or 42PP.

\*\*Valve used can be any 3-way or from one side of any 4-way.

### Ball Point Pen Circuit



\* One cubic inch of volume equals approximately two seconds delay.

† Valve used with 34AS or 341AS actuator must be TAC Series but can be either 2-, 3- or 4-way depending on work function (Double Acting Cylinder shown).

\*\*Valve used can be any 3-way or from one side of any 4-way.

### Time Delay Circuit

<b>2-, 3-WAY VALVES</b>	<b>Ports</b>	<b>CFM*</b>	<b>Valves</b>	<b>Page</b>
TAC	10-32	6	2P, 3P, 2V, 3V	66-67
TAC2	1/8	18	31P, 31PPX, 31V	68-69
<b>4-WAY VALVES</b>	<b>Ports</b>	<b>CFM*</b>	<b>Valves</b>	<b>Page</b>
TAC	10-32	9	4P, 4PP, 4PPX, 4V	66-67
TAC2	1/8	18	41P, 41PP, 41PPX, 41V	68-69
TAC3	1/4	31	42P, 42PP, 42PA, 42A, 42A2	70
TAC three-position	1/8	6	41R-D(S)3, 41T-D(S)3	68-69

\*Nominal flow @100 psi

<b>Thread-On Operators for Push Button Valves</b>		<b>Part No.</b>	<b>Page</b>
A	Air-Pilot	34, 341	71
AR	Air-Pilot with Reset	34, 341	71
AS	Air-Pilot with Time Delay	34, 341	71
ASR	Air-Pilot with Rest and Time Delay	34, 341	71
T	Finger Tip Manual	34	72
F	Foot (Knee) Manual	34	72
C	Cam Mechanical	34	72
CW	One Way Trip Cam Mechanical	34	72
CH	Heavy Duty Cam Mechanical	34	72
B	Ball Mechanical	34	72

<b>Auxiliary Equipment</b>		<b>Page</b>
RSR	Air Pressure Regulator	73
SC1	Speed Control	73
C1	Check Valve	73
C125	Check Valve	73
SQE	Shuttle/Quick Exhaust Valve	73
S125	Shuttle Valve	73

<b>Fittings: 10-32 UNF and 1/8 PIPE</b>		<b>Page</b>
BF		72
PBF1		72
BF1		72
150-30A		72
150-31A		72
SF		72
UEF		72
URTF		72
UTF		72

**HUMPHREY "TOTAL AIR CONTROL" LINE UP:**

- **Air Valves:** Manual/Mechanical 2-, 3-, 4-way, spring return or detent. 3 sizes.
- **Air Operators:** Standard, Air Reset, Air Snap, Air Reset/Snap.
- **Manual Operators:** Finger Tip, Foot/Knee/Hand.
- **Mechanical Operators:** Ball, Cam, Cam-One Way Trip, Cam-Heavy Duty.
- **Auxiliary Items:** Air Regulator; Flow Control, Check, Shuttle and Quick Exhaust Valves.
- **Barbed Fittings:** Straight, Elbow, Tee, Reducer, Bulkhead, Plug, Extension, Swivel.



TAC VALVES

## TAC Series

2P, 3P, 2V, 3V, 4P, 4PP, 4PPX, 4V

**Humphrey TAC, 10-32 UNF ported, 2-, 3- or 4-way, manual/mechanical air valves are attractive, compact and rugged. Available as spring return or detent functionality, TAC valves provide excellent flow for their relative size, and are ideal for panel-mount signaling or small-cylinder control, leaving pneumatic plumbing and tubing "behind the scenes."**

**2P, 3P, 4P: Spring return, push button.**

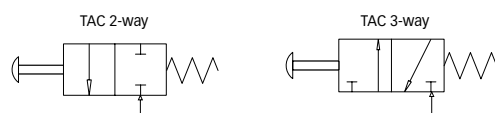
**4PP: Detent, push/push.**

**2V, 3V, 4V: Detent, toggle.**

**4PPX: Detent, push/pull.**

### Features and Benefits

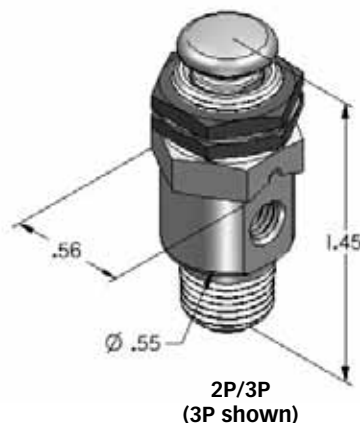
- Hardened, stainless steel button bottoms out on valve collar, preventing overstroke and internal valve damage.
- Emulating similar styled electric buttons and toggles, the operators and 15/32-32 threaded collar, enhances machine appearance.
- Hex feature on valve body assists with mounting.
- Standard panel-mount button design permits addition of various manual, mechanical or air operators.



2P/3P



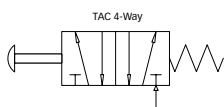
2V/3V



2P/3P  
(3P shown)

### SPECIFICATIONS

Design Principle:	Pressure Unbalanced, Air Return, Spring Assist (2-,3-Way); Pressure Balanced, Spring Return (4-Way)	Media:	Air, Inert Gases
Porting Type:	2-, 3- or 4-Way	Pressure Range:	0-125 PSIG
Port Size:	10-32 UNF	Temperature Range:	-20°F to 180°F
		Flow @100 PSIG:	2-,3-Way: 6 CFM, 169 LPM (Cv=0.1) 4-Way: 9 CFM, 254 LPM (Cv=0.2)



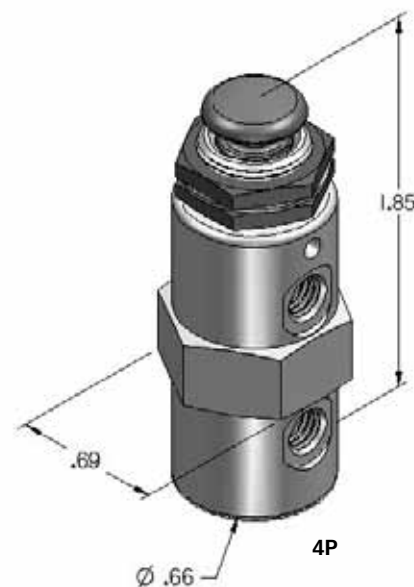
4P



4V



4PPX



4PP

TAC VALVES

**HOW TO OBTAIN SPECIFICATIONS FOR A PARTICULAR VALVE(S)**

- ☞ Go directly to [www.humphrey-products.com/dynamic/products](http://www.humphrey-products.com/dynamic/products)
- ☞ Or, visit [www.humphrey-products.com](http://www.humphrey-products.com) and select "Online Product Guide."
- Once you have followed the steps to get the valve you need, select "Download Spec Sheet." Doing this will create a personalized PDF of the valve, which you may save to your computer and print at your convenience. These spec sheets are helpful when placing your order(s).

**HOW TO ORDER HUMPHREY VALVES AND ACCESSORIES**

- ☞ Go directly to: [www.humphrey-products.com/?q=content/find-distributor](http://www.humphrey-products.com/?q=content/find-distributor)
- ☞ Or, visit [www.humphrey-products.com](http://www.humphrey-products.com), select "Find A Distributor," and input your information to locate a distributor nearest you.
- Or, call Customer Service at 1-800-477-8707 for the name and phone number of your local distributor.



**HUMPHREY PRODUCTS ARE SOLD WORLD-WIDE THROUGH AUTHORIZED DISTRIBUTORS**

## TAC2 Valves

31P, 31PPX, 31V, 41P, 41PP, 41PPX, 41V, 41R-D(S)3, 41T-D(S)3

**Humphrey TAC2, 1/8 PIPE port, 3- or 4-way, manual/mechanical air valves are attractive, compact and rugged. Available as spring return or detent functionality, TAC2 valves provide excellent flow, and are ideal for panel-mount signaling or cylinder control, leaving pneumatic plumbing and tubing "behind the scenes." Plug 3-way for 2-way service. 4-ways include exhaust speed controllers, standard.**

**31P, 41P:** Spring return, push button.

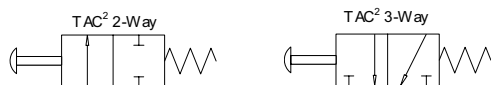
**41PP:** Detent, push/push.

**31V, 41V:** Detent, toggle.

**31PPX, 41PPX:** Detent, push/pull.

### Features and Benefits

- Hardened, stainless steel button bottoms out on valve collar, preventing overstroke and internal valve damage.
- Emulating similar styled electric buttons and toggles, the operators and 15/32-32 threaded collar, enhances machine appearance.
- 31P is multi-purpose. Use as 2- or 3-way, normally closed or open, diverter, selector.
- Standard panel-mount button design permits addition of various manual, mechanical or air operators.
- Exhaust port speed controller also sold separately in bags of 10. (PN: 97-21-Bagof10)
- See TAC Auxilliary Devices and Fittings, p. 72.



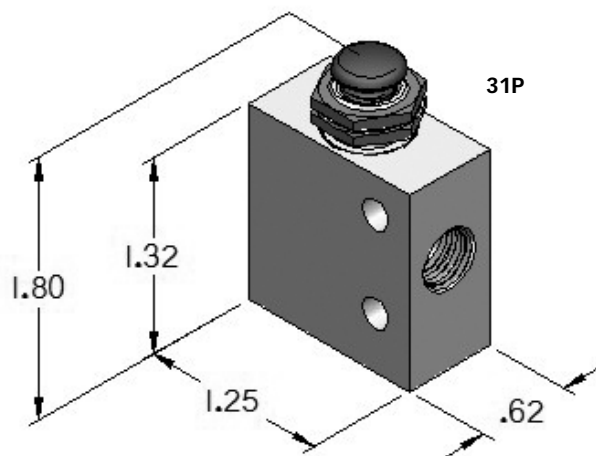
31P



31PPX



31V



### SPECIFICATIONS

Design Principle: Pressure Balanced, Air Return, Spring Assist

Porting Type: 2-, 3- or 4-Way

Port Size: 1/8 PIPE

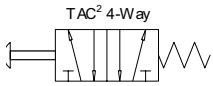
Media: Air, Inert Gases

Pressure Range: 0-125 PSIG

Temperature Range: -20°F to 180°F

Flow @100 PSIG: 18 CFM, 509 LPM (Cv=0.3)

41R/T: 6 CFM, 169 LPM (Cv=0.1)



41P



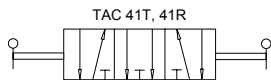
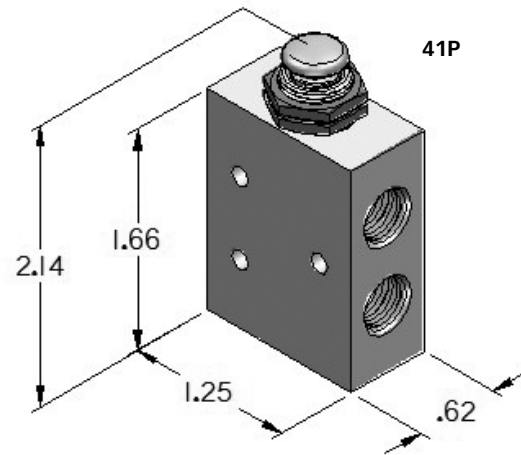
41PPX



41V



41PP



41T



41R

Model	Description	Dimensions (inch)			Action at Position		
		H	W	D	Left	Center	Right
41T-D3, 41R-D3	3-position, exhaust center, 4-way, manual valve	2.38 (T) 1.91 (R)	0.88	0.63	Detent	Detent	Detent
41T-S3, 41R-S3					Spring Return		Spring Return
41T-DS3, 41R-DS3					Detent		Spring Return

**HOW TO OBTAIN SPECIFICATIONS FOR A PARTICULAR VALVE(S)**

- Go directly to [www.humphrey-products.com/dynamic/products](http://www.humphrey-products.com/dynamic/products)
- Or, visit [www.humphrey-products.com](http://www.humphrey-products.com) and select "Online Product Guide."
- Once you have followed the steps to get the valve you need, select "Download Spec Sheet." Doing this will create a personalized PDF of the valve, which you may save to your computer and print at your convenience. These spec sheets are helpful when placing your order(s).

**HOW TO ORDER HUMPHREY VALVES AND ACCESSORIES**

- Go directly to: [www.humphrey-products.com/?q=content/find-distributor](http://www.humphrey-products.com/?q=content/find-distributor)
- Or, visit [www.humphrey-products.com](http://www.humphrey-products.com), select "Find A Distributor," and input your information to locate a distributor nearest you.
- Or, call Customer Service at 1-800-477-8707 for the name and phone number of your local distributor.



**HUMPHREY PRODUCTS ARE SOLD WORLD-WIDE THROUGH AUTHORIZED DISTRIBUTORS**

## TAC3 Valves

42P 42PP, 42PA, 42A, 42A2

**Humphrey TAC3, 1/4 PIPE port, 4-way, manual/mechanical and air-operated valves are attractive, compact and rugged. Available as air spring return or detent functionality, TAC3 valves provide excellent flow, and are ideal for cylinder control.**

**42P: Spring return, push button.**

**42A: Spring return, air-pilot.**

**42PP: Detent, push/push.**

**42A2: Detent, double air-pilot.**

**42PA: Detent, push/air-pilot.**

### Features and Benefits

- Hardened, stainless steel button bottoms out on valve collar, preventing overstroke and internal valve damage.
- Emulating similar styled electric buttons and toggles, the operators and 15/32-32 threaded collar, enhances machine appearance.
- Standard panel mount button design (P models) permits addition of various manual, mechanical or air operators. Consult factory representative.



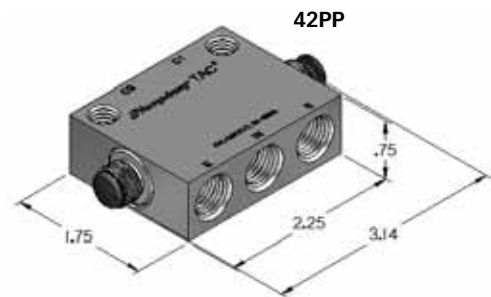
42P



42PP



42PA



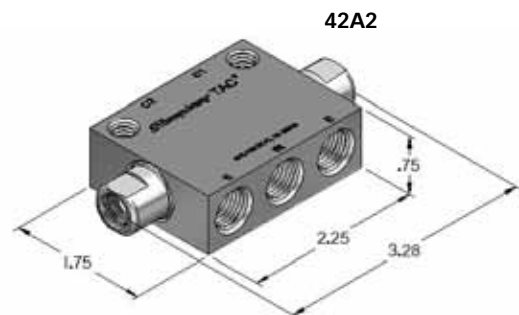
42PP



42A



42A2



42A2

### SPECIFICATIONS

Design Principle:	Pressure Balanced, Air Return, Spring Assist
Porting Type:	4-Way
Port Size:	1/4 PIPE
Media:	Air, Inert Gas
Pressure Range:	0-125 PSIG
Temperature Range:	-20°F to 150°F
Flow @100 PSIG:	31 CFM, 877 LPM (Cv=0.5)

### HOW TO OBTAIN SPECIFICATIONS FOR A PARTICULAR VALVE(S)

- ☞ Go directly to [www.humphrey-products.com/dynamic/products](http://www.humphrey-products.com/dynamic/products)
- ☞ Or, visit [www.humphrey-products.com](http://www.humphrey-products.com) and select "Online Product Guide."
- Once you have followed the steps to get the valve you need, select "Download Spec Sheet." Doing this will create a personalized PDF of the valve, which you may save to your computer and print at your convenience. These spec sheets are helpful when placing your order(s).

### HOW TO ORDER HUMPHREY VALVES AND ACCESSORIES

- ☞ Go directly to: [www.humphrey-products.com/?q=content/find-distributor](http://www.humphrey-products.com/?q=content/find-distributor)
- ☞ Or, visit [www.humphrey-products.com](http://www.humphrey-products.com), select "Find A Distributor," and input your information to locate a distributor nearest you.
- Or, call Customer Service at 1-800-477-8707 for the name and phone number of your local distributor.



**HUMPHREY PRODUCTS ARE SOLD WORLD-WIDE THROUGH AUTHORIZED DISTRIBUTORS**

**A variety of TAC Operators complement TAC, TAC2 and TAC3 Push Button air valves, easily mounting and thereby converting them to manual, cam, air-pilot and specialty air-pilot valves.**

**Operators are designed to easily mate to the valve collar feature in a "building block" approach to miniature pneumatic automation. Two valve locknuts and one lock washer are supplied with valve to secure operators.**

**Variety of valve mounting brackets are also available.**

**Features and Benefits**

- While stainless steel push buttons can be directly activated manually or mechanically, TAC operators can enhance performance.
- Actuators are highlighted by unique, specialty air operators AS (Air-Pilot Operators with Snap Action), AR (Air-Pilot Operators with Reset) and ASR (Air-Pilot Operators with Snap Action and Reset), renowned as problem solvers for simplifying pneumatic logic circuit design.
- Low cost, light weight.
- Available in 10-32 UNF and 1/8 PIPE porting



341AR  
34AS  
34ASR



34A  
341A



341AR  
341AS  
341ASR

Operator Type	Model	Pilot Port	Hex	H	Dia	Function
Air Pilot	34A	10-32 UNF	9/16"	1.25"	0.56"	Thread onto any push button valve and convert manual valve to air pilot valve.
	341A	1/8 PIPE		1.38"	0.63"	
Air Pilot with Snap Action	34AS	10-32 UNF	13/16"	2.34"	0.86"	Actuation of valve is delayed until pilot pressure reaches 35 +/-5 PSIG, then snaps forward to activate valve.
	341AS	1/8 PIPE		2.44"		
Air Pilot with Reset	34AR	10-32 UNF	13/16"	2.34"	0.86"	Sharply applied pilot signal of 40 PSIG (min) shifts valve, then operator resets though the pilot pressure remains "ON."
	341AR	1/8 PIPE		2.44"		
Air Pilot with Snap Action and Reset	34ASR	10-32 UNF	13/16"	2.34"	0.86"	Combines the functions of the "Air Pilot with Snap Action" and the "Air Pilot with Reset" in one operator.
	341ASR	1/8 PIPE		2.44"		

TAC VALVES

**HOW TO OBTAIN SPECIFICATIONS FOR A PARTICULAR VALVE(S)**

- ☞ Go directly to [www.humphrey-products.com/dynamic/products](http://www.humphrey-products.com/dynamic/products)
- ☞ Or, visit [www.humphrey-products.com](http://www.humphrey-products.com) and select "Online Product Guide."
- Once you have followed the steps to get the valve you need, select "Download Spec Sheet." Doing this will create a personalized PDF of the valve, which you may save to your computer and print at your convenience. These spec sheets are helpful when placing your order(s).

**HOW TO ORDER HUMPHREY VALVES AND ACCESSORIES**

- ☞ Go directly to: [www.humphrey-products.com/?q=content/find-distributor](http://www.humphrey-products.com/?q=content/find-distributor)
- ☞ Or, visit [www.humphrey-products.com](http://www.humphrey-products.com), select "Find A Distributor," and input your information to locate a distributor nearest you.
- Or, call Customer Service at 1-800-477-8707 for the name and phone number of your local distributor.



**HUMPHREY PRODUCTS ARE SOLD WORLD-WIDE THROUGH AUTHORIZED DISTRIBUTORS**

## TAC Operators and Fittings

34CH, 34CW, 34C, 34T, 34B, 34F; BF, BF1, PBF1, 150-30A, 150-31A, SF, UEF, UTF, URTF

**A variety of Manual and Mechanical Operators complement TAC, TAC2 and TAC3 Push Button air valves, easily mounting and thereby converting them to manual or cam-operated valves**

**Operators are designed to easily mate to the valve collar feature in a "building block" approach to miniature pneumatic automation. Two valve locknuts and one lock washer are supplied with valve to secure operators.**

**Variety of valve mounting brackets are also available.**

**Miniature barbed fitting selection has variety to meet all needs.**

### Features and Benefits

- While stainless steel push buttons can be directly activated manually or mechanically, TAC operators can enhance performance.
- Low cost, light weight.



**34B  
Ball  
Operator**



**34T  
Finger Tip  
Operator**



**34C  
Cam  
Operator**



**34CW  
Cam Operator with  
One-Way Actuation**



**34F  
Foot, Knee or  
Hand Operator**



**34CH  
Heavy Duty  
Cam Operator**

### TAC MINIATURE FITTINGS



#### HOW TO OBTAIN SPECIFICATIONS FOR A PARTICULAR VALVE(S)

- ☞ Go directly to [www.humphrey-products.com/dynamic/products](http://www.humphrey-products.com/dynamic/products)
- ☞ Or, visit [www.humphrey-products.com](http://www.humphrey-products.com) and select "Online Product Guide."
- Once you have followed the steps to get the valve you need, select "Download Spec Sheet." Doing this will create a personalized PDF of the valve, which you may save to your computer and print at your convenience. These spec sheets are helpful when placing your order(s).

#### HOW TO ORDER HUMPHREY VALVES AND ACCESSORIES

- ☞ Go directly to: [www.humphrey-products.com/?q=content/find-distributor](http://www.humphrey-products.com/?q=content/find-distributor)
- ☞ Or, visit [www.humphrey-products.com](http://www.humphrey-products.com), select "Find A Distributor," and input your information to locate a distributor nearest you.
- Or, call Customer Service at 1-800-477-8707 for the name and phone number of your local distributor.



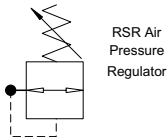
**HUMPHREY PRODUCTS ARE SOLD WORLD-WIDE THROUGH AUTHORIZED DISTRIBUTORS**

**TAC Auxiliary Devices complement TAC valves and TAC Operators in pneumatic logic design and solutions. Miniature and rugged, the line up is also used commonly by instrument and device makers as stand-alone items.**

**Available in 10-32 UNF ported or 1/8 PIPE port sizes.**

**Features and Benefits**

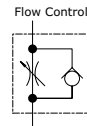
- Miniaturization. Small and compact.
- RSR self relieving regulator is designed for panel mounting, and achieves 22 CFM at 100 PSIG output pressure.
- SC1 flow control allows full flow on one direction and controlled return flow. Is unaffected by vibration, maintaining an accurate setting.
- Two sizes of check and shuttle valves (10-32 UNF & 1/8 PIPE).
- Model SQE can be used as shuttle or quick exhaust.



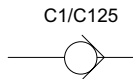
RSR Air Pressure Regulator



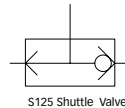
RSR Air Pressure Regulator



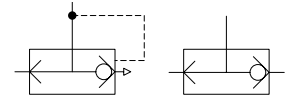
SC1 Speed Control



C1/C125



S125 Shuttle Valve



C125 Check Valve



C1 Check Valve



S125 Shuttle Valve



SQE Shuttle and Quick Exhaust Valve

TAC VALVES

**HOW TO OBTAIN SPECIFICATIONS FOR A PARTICULAR VALVE(S)**

- Go directly to [www.humphrey-products.com/dynamic/products](http://www.humphrey-products.com/dynamic/products)
- Or, visit [www.humphrey-products.com](http://www.humphrey-products.com) and select "Online Product Guide."
- Once you have followed the steps to get the valve you need, select "Download Spec Sheet." Doing this will create a personalized PDF of the valve, which you may save to your computer and print at your convenience. These spec sheets are helpful when placing your order(s).

**HOW TO ORDER HUMPHREY VALVES AND ACCESSORIES**

- Go directly to: [www.humphrey-products.com/?q=content/find-distributor](http://www.humphrey-products.com/?q=content/find-distributor)
- Or, visit [www.humphrey-products.com](http://www.humphrey-products.com), select "Find A Distributor," and input your information to locate a distributor nearest you.
- Or, call Customer Service at 1-800-477-8707 for the name and phone number of your local distributor.



**HUMPHREY PRODUCTS ARE SOLD WORLD-WIDE THROUGH AUTHORIZED DISTRIBUTORS**

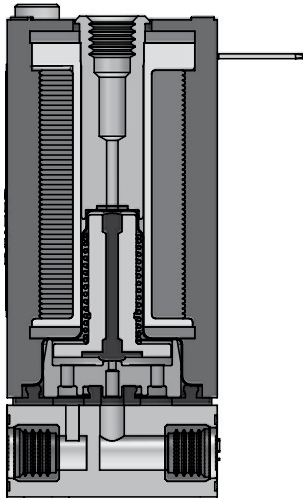
# VACUUM VALVES

## INTRODUCTION

Vacuum Valves control the flow of vacuum for material handling or process control where other mechanical methods may not be suitable. Various Humphrey valves may be used for vacuum but the poppet and diaphragm poppet designs shown below offer unique advantages versus competitive models that are not specifically modified for vacuum use.

The advantages of vacuum valves are the following:

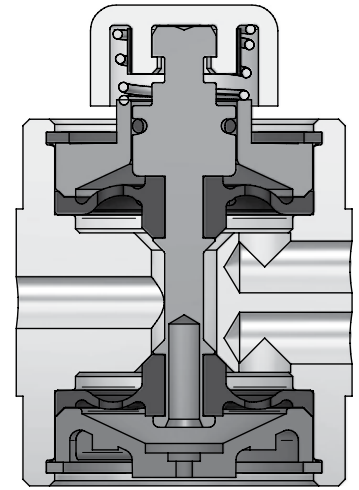
- Poppet design offers small Direct-Operating Solenoid Valves requiring no air or vacuum pilot.
- Diaphragm poppet design offers unique construction that uses the vacuum to assist sealing resulting in a condition where the higher the vacuum the tighter the valve's seal.



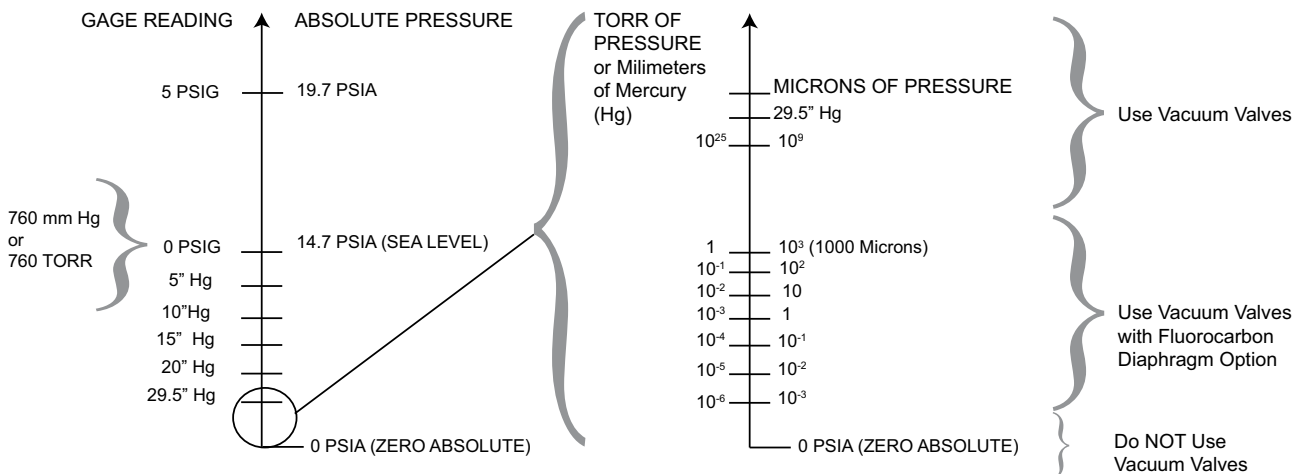
B3E1 - Poppet Valve

### VACUUM VALVE FEATURES:

- Small Size – mount close to work.
- No Lubrication.
- Contamination tolerant.
- No sliding seals.
- No sticking.
- Full orifice.
- Multi media/vacuum and air/gas.
- Various types of actuation.



V250P - Diaphragm Poppet Valve



### GENERAL VACUUM INFORMATION

<b>SOLENOID 2-, 3-WAY VALVES</b>		<b>Ports</b>	<b>Valves</b>	<b>Page</b>
<b>SMALL</b>	Mini Mizer Series	10-32	B3E1-11, MB3E1-11	76-77
	HK5 Series	10-32	HK5, HKL5	76-77
	310 Series	1/8	V310, SV310, MV310	76-77
	Tyna Myte 062 Series	1/4	V062E1, VT062E1	76-77
<b>LARGE</b>	320 Series	1/4	320	76-77
	250 Series	1/4	VA250AE1(2), VV250AE1	78-79
	500 Series	1/2	VA500AE1(2), VV500AE1	78-79
	590 Series	3/4	VA590AE1(2), VV590AE1	78-79
<b>AIR-PILOT 2-, 3-WAY VALVES</b>		<b>Ports</b>	<b>Valves</b>	<b>Page</b>
<b>SMALL</b>	125 Series	1/8	VA125A, VV125A	80-81
	250 Series	1/4	VA250A, VV250A	80-81
<b>LARGE</b>	500 Series	1/2	VA500A, VV500A	80-81
	590 Series	3/4	VA590A, VV590A	80-81
<b>MANUAL/MECHANICAL 2-, 3-WAY VALVES</b>		<b>Ports</b>	<b>Valves</b>	<b>Page</b>
<b>SMALL</b>	125 Series	1/8	V125P, V125HO, V125B	82-83
	250 Series	1/4	V250P, V250C	82-83
<b>LARGE</b>	500 Series	1/2	V500C	82-83



## Direct-Acting Solenoid Vacuum Valves

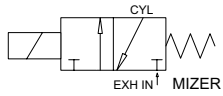
MINI MIZER B3E1, HK5, V310, V062E1, VT062E1, 320, HG010

**Most Humphrey Direct-Acting 3-way Valves work reliably as vacuum valves. For those models, no "vacuum service" call out is required. Thus, features and benefits of many models listed here can be found in the Direct-Acting Valves section of this catalog.**

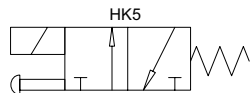
**Humphrey model V310 and V062 are the exceptions. Mini Mizer, multi-purpose, model B3E1-11 performs well in vacuum applications.**

### Features and Benefits

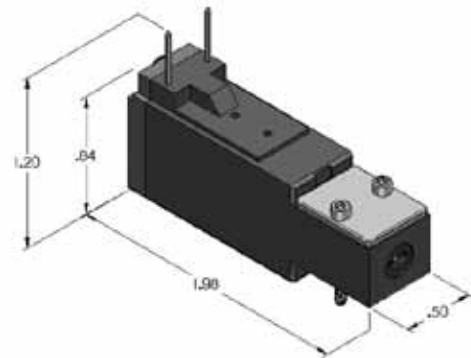
- Small and compact. Ideal for small vacuum cups, instrumentation and process control applications.
- Fully operational regardless of vacuum level. No minimum vacuum pressure required.
- Excellent as low positive pressure/vacuum pressure, selector valves. Low air pressure allows for quick vacuum level neutralizer.
- Use as vacuum diverter valve.



B3E1

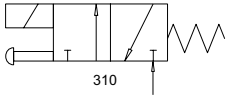


HK5

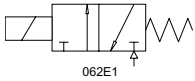
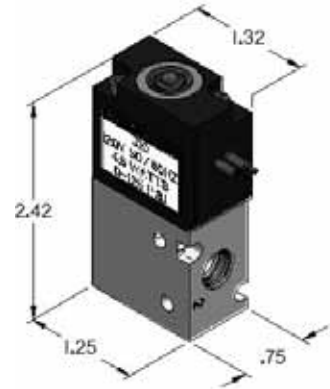


### VACUUM VALVES PRESSURE RATING

MINI MIZER B3E1	28" Hg to 100 PSIG	V062E1	0 to 28" Hg
HK5	28" Hg to 100 PSIG (B and H seals) 28" Hg to 60 PSIG (E and F seals) 28" Hg to 30 PSIG (All Elastomers)	320	0 to 28" Hg
V310	0 to 28" Hg	HG010	0 to 28" Hg

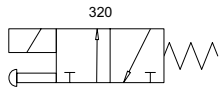


V310

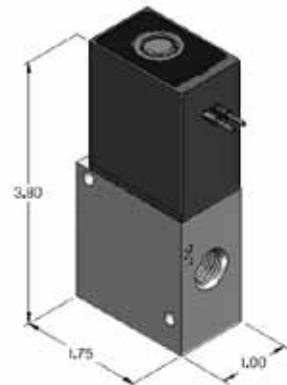


VT062E1

(V062E1 shown at right)



320



VACUUM VALVES

### HOW TO OBTAIN SPECIFICATIONS FOR A PARTICULAR VALVE(S)

- ☞ Go directly to [www.humphrey-products.com/dynamic/products](http://www.humphrey-products.com/dynamic/products)
- ☞ Or, visit [www.humphrey-products.com](http://www.humphrey-products.com) and select "Online Product Guide."
- Once you have followed the steps to get the valve you need, select "Download Spec Sheet." Doing this will create a personalized PDF of the valve, which you may save to your computer and print at your convenience. These spec sheets are helpful when placing your order(s).

### HOW TO ORDER HUMPHREY VALVES AND ACCESSORIES

- ☞ Go directly to: [www.humphrey-products.com/?q=content/find-distributor](http://www.humphrey-products.com/?q=content/find-distributor)
- ☞ Or, visit [www.humphrey-products.com](http://www.humphrey-products.com), select "Find A Distributor," and input your information to locate a distributor nearest you.
- Or, call Customer Service at 1-800-477-8707 for the name and phone number of your local distributor.



**HUMPHREY PRODUCTS ARE SOLD WORLD-WIDE THROUGH AUTHORIZED DISTRIBUTORS**

## Indirect-Acting Solenoid Vacuum Valves

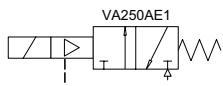
VA250AE1(2), VV250AE1, VA500AE1(2), VV500AE1, VA590AE1(2), VV590AE1

**Indirect-Acting Solenoid Humphrey Vacuum Valves feature our classic diaphragm-poppet principle. The 3-way, normally closed or normally open valves are available in 1/4, 1/2 and 3/4 PIPE port sizes. Reliable shifts whether vacuum system is clean and dry or dirty. The unbalanced, air spring return design assures vacuum tight-sealing actuated, or unactuated.**

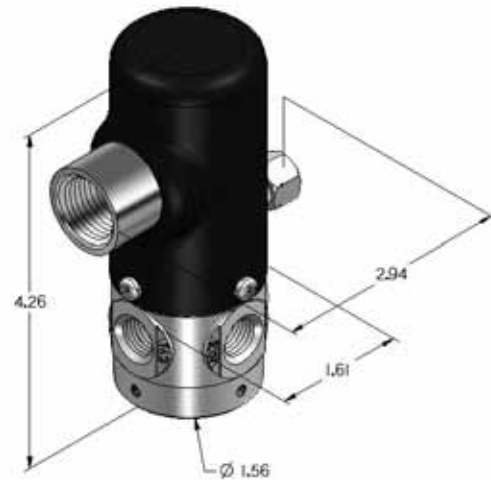
**These rugged 2- or 3-way valves are available as single or double solenoid, in standard or optional brass body construction (for alternate media). Vacuum pilot models also available.**

### Features and Benefits

- Based on diaphragm-poppet, unbalanced principle, "the higher the vacuum, the tighter the seal."
- No sliding seals or metal-to-metal contact results in valves that are unaffected by ingest of dirt or dust, typically troublesome to competitive vacuum valves.
- Fluorocarbon seals available for high temperature resistance and/or high vacuum levels.
- Class B-rated, continuous duty coil.



VA250AE1

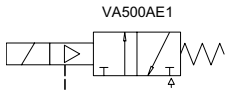


### VACUUM VALVES PRESSURE RATING

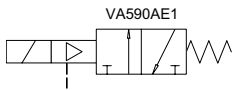
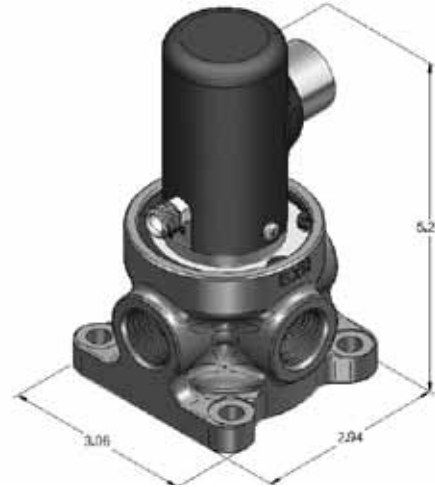
VA250AE1, VA250AE2	0 to 29.5" Hg	VV500AE1	20 to 29.5" Hg
VV250AE1	20 to 29.5" Hg	VA590AE1, VA590AE2	0 to 29.5" Hg
VA500AE1, VA500AE2	0 to 29.5" Hg	VV590AE1	0 to 29.5" Hg

# Indirect-Acting Solenoid Vacuum Valves

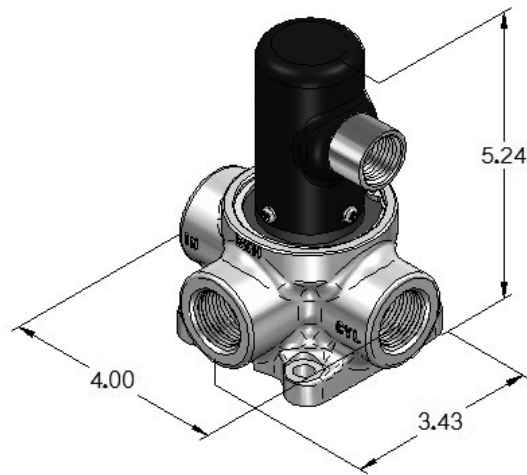
VA250AE1(2), VV250AE1, VA500AE1(2), VV500AE1, VA590AE1(2), VV590AE1



VA500AE1



VA590AE1



VACUUM VALVES

## HOW TO OBTAIN SPECIFICATIONS FOR A PARTICULAR VALVE(S)

- Go directly to [www.humphrey-products.com/dynamic/products](http://www.humphrey-products.com/dynamic/products)
- Or, visit [www.humphrey-products.com](http://www.humphrey-products.com) and select "Online Product Guide."
- Once you have followed the steps to get the valve you need, select "Download Spec Sheet." Doing this will create a personalized PDF of the valve, which you may save to your computer and print at your convenience. These spec sheets are helpful when placing your order(s).

## HOW TO ORDER HUMPHREY VALVES AND ACCESSORIES

- Go directly to: [www.humphrey-products.com/?q=content/find-distributor](http://www.humphrey-products.com/?q=content/find-distributor)
- Or, visit [www.humphrey-products.com](http://www.humphrey-products.com), select "Find A Distributor," and input your information to locate a distributor nearest you.
- Or, call Customer Service at 1-800-477-8707 for the name and phone number of your local distributor.



**HUMPHREY PRODUCTS ARE SOLD WORLD-WIDE THROUGH AUTHORIZED DISTRIBUTORS**

## Air-Pilot Vacuum Valves

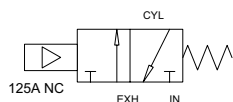
VA125A, VV125A, VA250A, VV250A, VA500A, VV500A, VA590A, VV590A

**Air-Pilot Humphrey Vacuum Valves feature our classic diaphragm-poppet principle. The 3-way, normally closed valves are available in 1/8, 1/4, 1/2 and 3/4 PIPE port sizes. Reliable shifts whether vacuum system is clean and dry or dirty. The unbalanced air spring return design assures vacuum tight sealing actuated, or unactuated.**

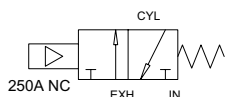
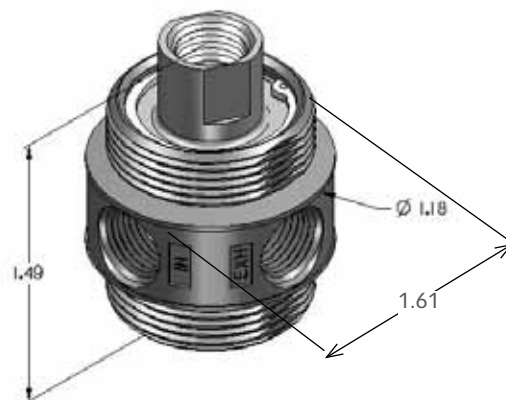
**These rugged 2- or 3-way, normally closed valves are available in standard or optional brass body construction (for alternate media). Vacuum pilot models also available in 1/4 PIPE and 1/2 PIPE.**

### Features

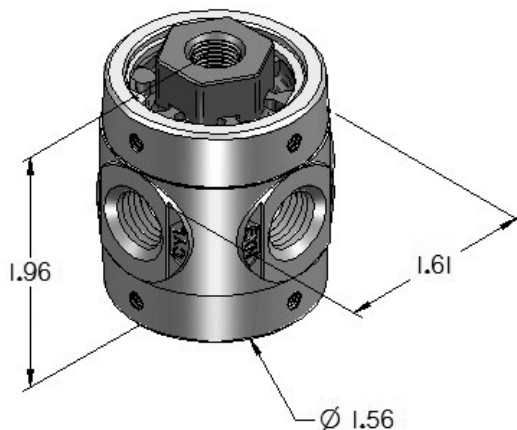
- Based on diaphragm-poppet unbalanced principle, "the higher the vacuum, the tighter the seal."
- No sliding seals or metal-to-metal contact results in valves that are unaffected by ingest of dirt or dust, typically troublesome to competitive vacuum valves.
- Fluorocarbon seals available for high temperature resistance and/or high vacuum levels.



VA/VV125A

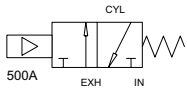


VA/VV250A

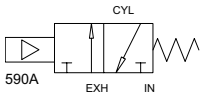
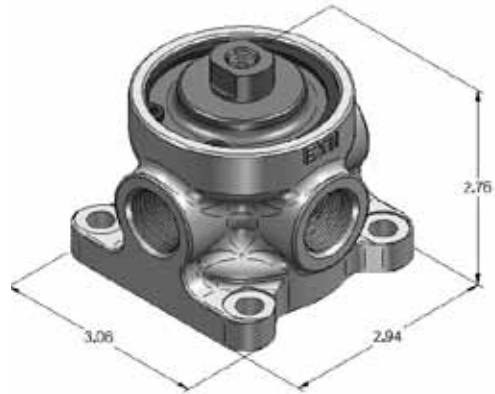


### VACUUM VALVES PRESSURE RATING

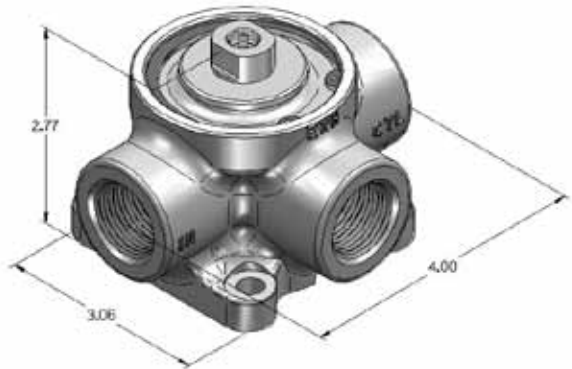
VA125A	0 to 29.5" Hg	VA500A	0 to 29.5" Hg
VV125A	20 to 29.5" Hg	VV500A	20 to 29.5" Hg
VA250A	0 to 29.5" Hg	VA590A	0 to 29.5" Hg
VV250A	20 to 29.5" Hg	VV590A	20 to 29.5" Hg



VA/VV500A



VA/VV590A



## HOW TO OBTAIN SPECIFICATIONS FOR A PARTICULAR VALVE(S)

- ☞ Go directly to [www.humphrey-products.com/dynamic/products](http://www.humphrey-products.com/dynamic/products)
- ☞ Or, visit [www.humphrey-products.com](http://www.humphrey-products.com) and select "Online Product Guide."
- Once you have followed the steps to get the valve you need, select "Download Spec Sheet." Doing this will create a personalized PDF of the valve, which you may save to your computer and print at your convenience. These spec sheets are helpful when placing your order(s).

## HOW TO ORDER HUMPHREY VALVES AND ACCESSORIES

- ☞ Go directly to: [www.humphrey-products.com/?q=content/find-distributor](http://www.humphrey-products.com/?q=content/find-distributor)
- ☞ Or, visit [www.humphrey-products.com](http://www.humphrey-products.com), select "Find A Distributor," and input your information to locate a distributor nearest you.
- Or, call Customer Service at 1-800-477-8707 for the name and phone number of your local distributor.



**HUMPHREY PRODUCTS ARE SOLD WORLD-WIDE THROUGH AUTHORIZED DISTRIBUTORS**

# Manual and Mechanical Vacuum Valves

V125HO, V125B, V250P, V250C, V500C

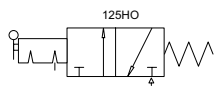
**Manual and Mechanical Operated Humphrey Vacuum Valves feature our classic diaphragm-poppet principle. The 3-way, normally closed valves are available in 1/8, 1/4, and 1/2 PIPE port sizes. Reliable shifts whether vacuum system is clean and dry or dirty. The unbalanced air spring return design assures vacuum tight sealing actuated, or unactuated.**

**These rugged 2- or 3-way valves are available normally closed, in spring return or detent functions.**

**Consult factory representative or website for other models.**

## Features and Benefits

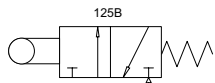
- Based on diaphragm-poppet, unbalanced principle, "the higher the vacuum, the tighter the seal".
- No sliding seals or metal-to-metal contact results in valves that are unaffected by ingest of dirt or dust, typically troublesome to competitive vacuum valves.
- Fluorocarbon seals available for high temperature resistance and/or high vacuum levels



125 Manual Series



V125HO - Hold On



125 Mechanical Series

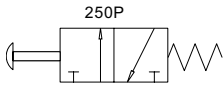


V125B - Ball Cam



## VACUUM VALVES PRESSURE RATING

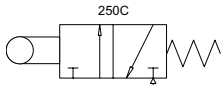
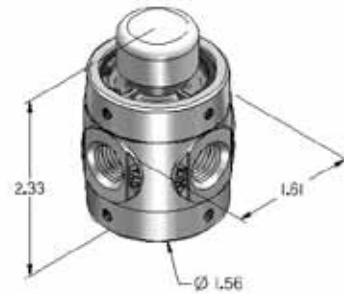
V125B, HO	0 to 29.5" Hg	V500C	0 to 29.5" Hg
V250P, C	0 to 29.5" Hg		



**250 Manual Series**



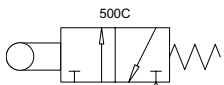
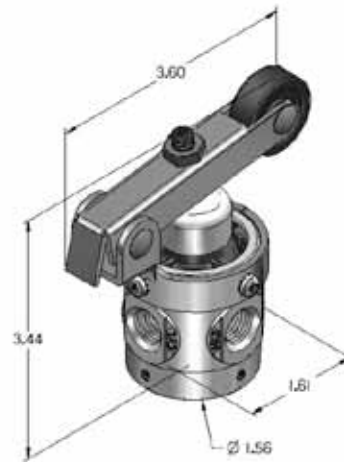
**V250P – Push Button**



**250 Mechanical Series**



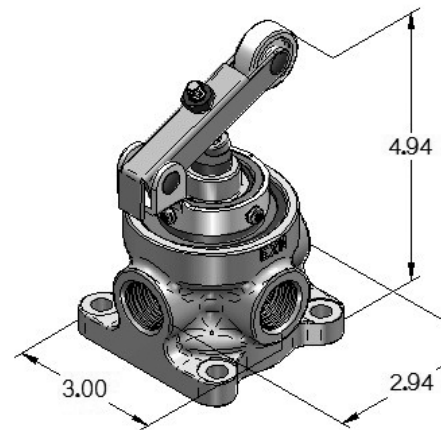
**V250C – Cam Roller**



**500 Mechanical Series**



**V500C – Cam Roller**



VACUUM VALVES

**HOW TO OBTAIN SPECIFICATIONS FOR A PARTICULAR VALVE(S)**

- ☞ Go directly to [www.humphrey-products.com/dynamic/products](http://www.humphrey-products.com/dynamic/products)
- ☞ Or, visit [www.humphrey-products.com](http://www.humphrey-products.com) and select "Online Product Guide."
- Once you have followed the steps to get the valve you need, select "Download Spec Sheet." Doing this will create a personalized PDF of the valve, which you may save to your computer and print at your convenience. These spec sheets are helpful when placing your order(s).

**HOW TO ORDER HUMPHREY VALVES AND ACCESSORIES**

- ☞ Go directly to: [www.humphrey-products.com/?q=content/find-distributor](http://www.humphrey-products.com/?q=content/find-distributor)
- ☞ Or, visit [www.humphrey-products.com](http://www.humphrey-products.com), select "Find A Distributor," and input your information to locate a distributor nearest you.
- Or, call Customer Service at 1-800-477-8707 for the name and phone number of your local distributor.



**HUMPHREY PRODUCTS ARE SOLD WORLD-WIDE THROUGH AUTHORIZED DISTRIBUTORS**

# CARTRIDGE INSERT VALVES

## INTRODUCTION

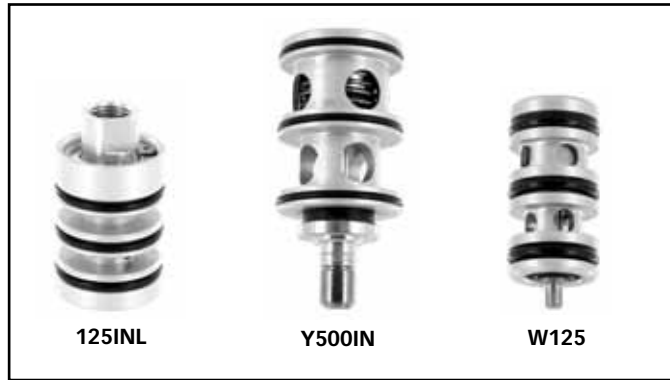
Cartridge Insert Valves use the proven designs and principles of Humphrey inline and manifold valves with valve bodies that permit insertion into a custom manifold. These manifolds can be designed by the customer or Humphrey's Engineered Solutions capabilities to satisfy the function and shape of each customer's design requirements.

The advantages of Cartridge Insert Valves are the following:

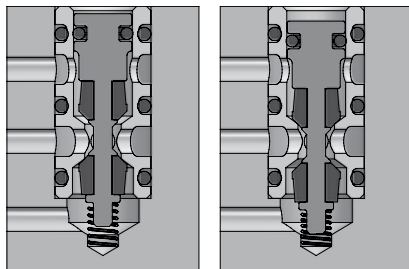
- Incorporation into customer's own product vs "hanging on" as an external component.
- Insert valve becomes unrecognizable element of customer's own product.
- Insert valve become a proprietary element for service control by customer.
- Combinations of insert valves permit various and multiple valve configurations.



Two-Way Valves



Three-Way Valves



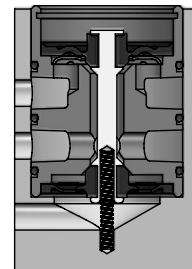
Y125IN Closed

Y125IN Open

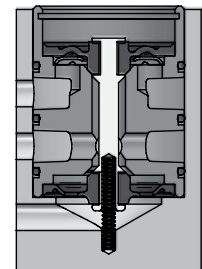
Piston Poppet Type  
(J, W and Y Series)

## INSERT VALVE FEATURES:

- Various orifices (1/16" thru 1/2").
- Various functions (2-, 3- and 4-way).
- Small size.
- Short stroke.
- Fast response.
- Simple construction.
- Reliability.
- Multi media.
- Various types of actuation (See below).



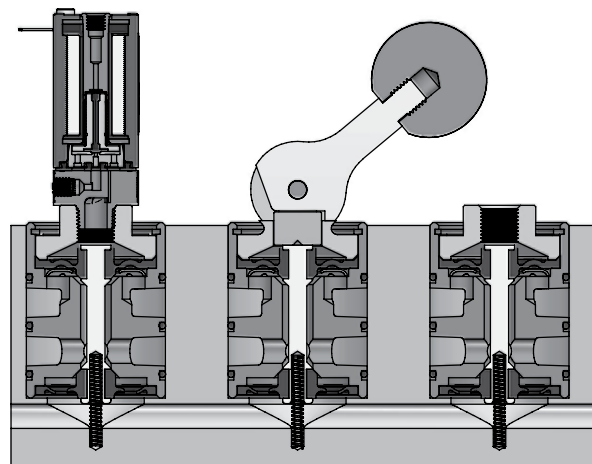
250IN Closed



250IN Open

Diaphragm Poppet Type  
(125INS, 125INL and 250IN Series)

## VARIOUS TYPES OF ACTUATION



Solenoid

Lever

Air-Pilot

CARTRIDGE INSERT VALVES

<b>2-WAY VALVES</b>		<b>Ports</b>	<b>CFM*</b>	<b>Page</b>
<b>AIR, MANUAL, OR MECHANICAL</b>	125INS Diaphragm Poppet Series	1/8"	22	86-87
	J125IN Poppet Series	1/8"	15	88-89
<b>3-WAY VALVES</b>		<b>Ports</b>	<b>CFM*</b>	<b>Page</b>
<b>AIR, MANUAL, OR MECHANICAL</b>	125INL Diaphragm Poppet Series	1/8"	22	86-87
	Y125IN Poppet Series	1/8"	15	88-89
	250IN Diaphragm Poppet Series	1/4"	60	86-87
	Y250IN Poppet Series	1/4"	50	88-89
	Y500IN Poppet Series	1/2"	190	88-89
<b>3-WAY VALVES</b>		<b>Ports</b>	<b>CFM*</b>	<b>Page</b>
<b>MANUAL OR MECHANICAL</b>	W125IN Poppet Series	1/8"	15	88-89
	W250IN Poppet Series	1/4"	50	88-89

*\*Nominal flow @100 psi*



## Cartridge Insert Valves

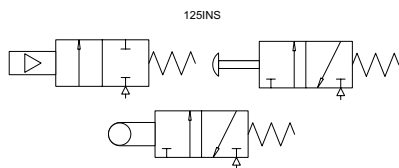
125INS, 125INL, 250IN

**The Humphrey 125INS and 125INL (1/8") Series, and 250IN (1/4") Series Cartridge Insert Valves incorporate the diaphragm-poppet principle in a 2- or 3-way configuration. The pressure-unbalanced, air spring return design assures bubble-tight sealing actuated, and unactuated. The compact design permits limited space occupied by the valve within your product.**

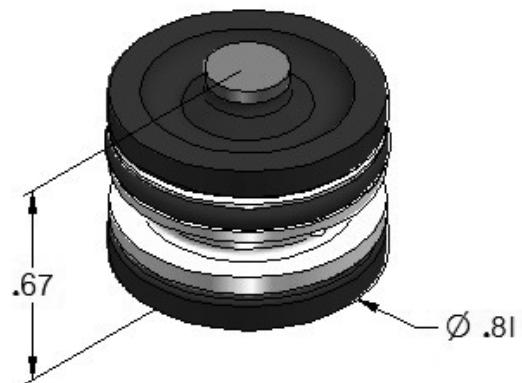
**Multiple manual, mechanical or air-pilot operators available, or simply apply direct force to the valve stem.**

### Features

- Full ported 1/8" orifice, and 1/4" orifice.
- Fast cycling, high flow, quick exhaust.
- Reliable operation in lubricated or not lubricated air supply systems whether media is clean or dirty. No sliding seals.
- Buna N seals standard. Fluorocarbon seals optional.
- Solenoid pilot operators available. Consult factory representative.

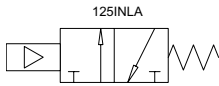


125INS

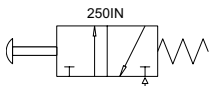
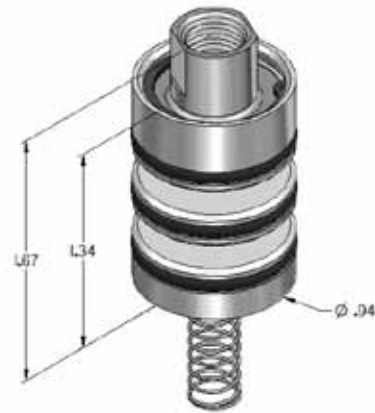


### SPECIFICATIONS (Please consult factory representative prior to use with oxygen.)

Design Principle:	Pressure Unbalanced – Spring Return	Pressure Range:	0–125 PSIG
Porting Type:	2- or 3-Way	Temperature Range:	-10°F to 125°F
Port Size:	1/8, 1/2 IN	Flow @100 PSIG:	125INS, 125INL: 22 CFM, 622 LPM (Cv=0.4)
Media:	Air, Inert Gases, Liquid		250IN: 60 CFM, 1699 LPM (Cv=1.0)



**125INL**



**250IN**



CARTRIDGE INSERT VALVES

**HOW TO OBTAIN SPECIFICATIONS FOR A PARTICULAR VALVE(S)**

- ☞ Go directly to [www.humphrey-products.com/dynamic/products](http://www.humphrey-products.com/dynamic/products)
- ☞ Or, visit [www.humphrey-products.com](http://www.humphrey-products.com) and select "Online Product Guide."
- Once you have followed the steps to get the valve you need, select "Download Spec Sheet." Doing this will create a personalized PDF of the valve, which you may save to your computer and print at your convenience. These spec sheets are helpful when placing your order(s).

**HOW TO ORDER HUMPHREY VALVES AND ACCESSORIES**

- ☞ Go directly to: [www.humphrey-products.com/?q=content/find-distributor](http://www.humphrey-products.com/?q=content/find-distributor)
- ☞ Or, visit [www.humphrey-products.com](http://www.humphrey-products.com), select "Find A Distributor," and input your information to locate a distributor nearest you.
- Or, call Customer Service at 1-800-477-8707 for the name and phone number of your local distributor.



**HUMPHREY PRODUCTS ARE SOLD WORLD-WIDE THROUGH AUTHORIZED DISTRIBUTORS**

# Cartridge Insert Valves

J125IN, Y125IN, Y250IN, Y500IN, W125IN, W250IN

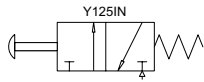
The Humphrey J, W and Y Series, piston-poppet valves are the smallest of the Humphrey Cartridge Insert Valve family. The pressure unbalanced, 2- and 3-way design uses the air supply to seal the valve closed in the normal, unactuated position. The two sizes are operated via manual or mechanical means.

Y Series piston-poppet, Cartridge Insert Valves have a captured exhaust, and can be plumbed normally closed or open. Large flow capacity, Y500IN, 3-way Cartridge Insert Valve with captured exhaust also available. Actuate via manual, mechanical or air-pilot means.

## Features

- Full ported 1/8", 1/4" and 1/2" orifice sizes.
- Small, thin body takes up little space within your product.
- Incorporate multiple cartridge valves within your manifold and eliminate external pneumatic fittings and tubing.
- Solenoid pilot operators available. Consult factory representative.

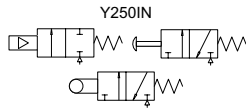
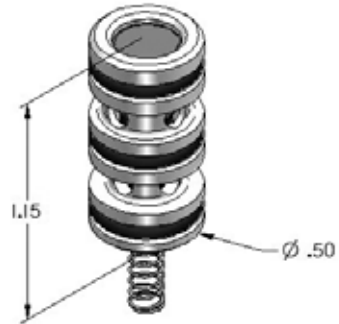
CARTRIDGE INSERT VALVES



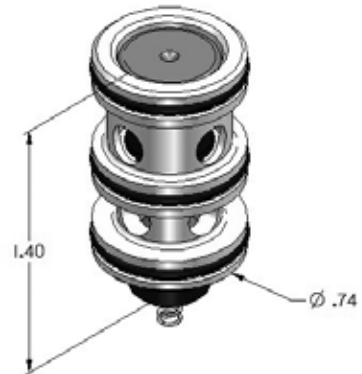
J125



Y125

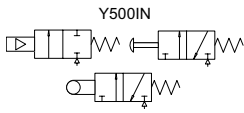


Y250IN

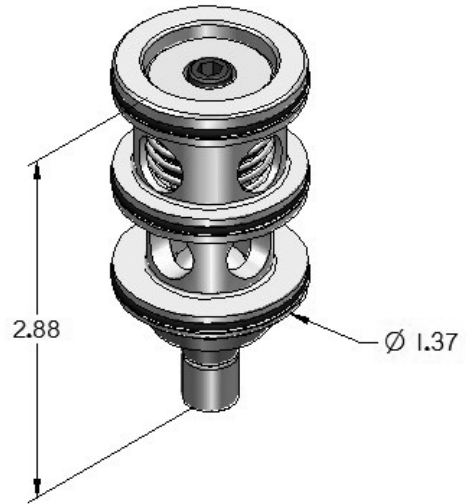


## SPECIFICATIONS (Please consult factory representative prior to use with oxygen.)

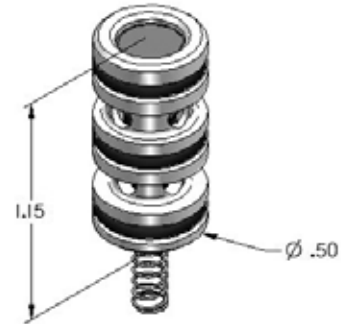
Design Principle:	Pressure Unbalanced – Spring Return	Pressure Range:	0–125 PSIG
Porting Type:	2- or 3-Way	Temperature Range:	-10°F to 225°F
Port Size:	1/8, 1/4, 1/2 IN	Flow @100 PSIG:	J, W and Y125IN: 15 CFM, 424 LPM (Cv=0.3) J, W and Y250IN: 50 CFM, 1415 LPM (Cv=0.8) Y500IN: 190 CFM, 5380 LPM (Cv=3.2)
Media:	Air, Inert Gas, Liquid		



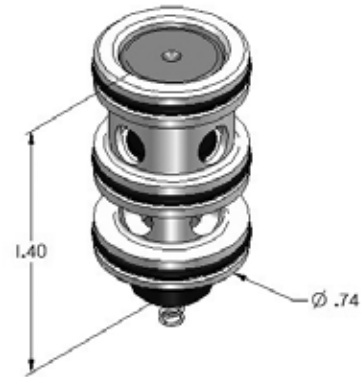
**Y500IN**



**W125**



**W250**



CARTRIDGE INSERT VALVES

**HOW TO OBTAIN SPECIFICATIONS FOR A PARTICULAR VALVE(S)**

- ☞ Go directly to [www.humphrey-products.com/dynamic/products](http://www.humphrey-products.com/dynamic/products)
- ☞ Or, visit [www.humphrey-products.com](http://www.humphrey-products.com) and select "Online Product Guide."
- Once you have followed the steps to get the valve you need, select "Download Spec Sheet." Doing this will create a personalized PDF of the valve, which you may save to your computer and print at your convenience. These spec sheets are helpful when placing your order(s).

**HOW TO ORDER HUMPHREY VALVES AND ACCESSORIES**

- ☞ Go directly to: [www.humphrey-products.com/?q=content/find-distributor](http://www.humphrey-products.com/?q=content/find-distributor)
- ☞ Or, visit [www.humphrey-products.com](http://www.humphrey-products.com), select "Find A Distributor," and input your information to locate a distributor nearest you.
- Or, call Customer Service at 1-800-477-8707 for the name and phone number of your local distributor.



**HUMPHREY PRODUCTS ARE SOLD WORLD-WIDE THROUGH AUTHORIZED DISTRIBUTORS**

# QUICK EXHAUST VALVES

## INTRODUCTION

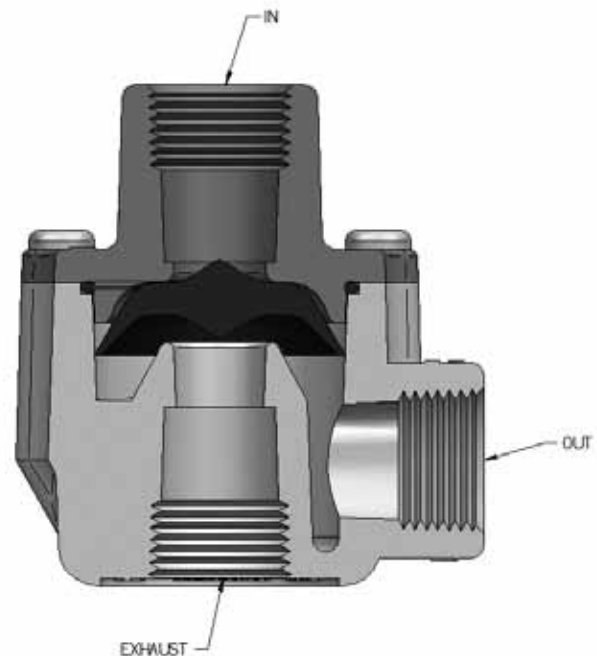
*Quick Exhaust Valves accelerate the speed of pneumatic functions. The valves release pneumatic pressure to atmosphere at a point close to the functioning device (linear cylinders, rotary actuators, volume chambers) versus via the control valve/device, which may be at a greater distance from the functioning device.*

## THE ADVANTAGES OF HUMPHREY'S SUPER QUICK EXHAUSTS ARE THE FOLLOWING:

- Special molded shuttle designed especially for quick exhaust valve service
- Shuttle's full-formed seating surface provides:
  - Long cycle life.
  - Outperforms flat-disk (sheet stock) diaphragms found in competitive designs.
- Shuttle's reinforced center section eliminates flow restricting metal body webbing of flat-disk designs.

## QUICK EXHAUST VALVES CAN ALSO BE USED AS:

- Shuttle valves.
- Check valves.
- Flow/speed control valves.



## How Super Quick Exhaust Valves are used to enhance the performance of air cylinders

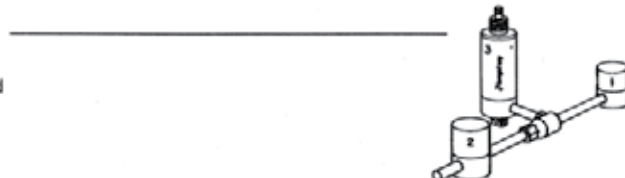
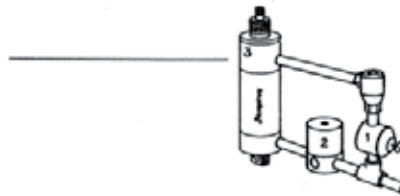
**Lubrication Problem.** Small bore cylinders are often poorly lubricated due to the small displacement of air per cycle. Lubricant back-flows through control valve on the exhaust cycle without reaching cylinder. Oil traces at the valve exhaust port does not prove proper cylinder lubrication.

**Solution:** Close nipple Super Quick Exhaust to cylinder. This stops back-flow and allows progressive oil flow to cylinder. Oil traces at the Super QE exhaust port prove cylinder lubrication.

**"Air Spring" Return.** Provides controlled "air spring" return, a potential advantage over standard spring return cylinders in that the "air spring" return force can be adjusted by a regulator. Also provides a method of controlling double acting cylinders with a 3-way valve. Return-regulator (1) set at selected pressure. (2) Normally closed 3-way valve. (3) Double acting cylinder. Example of use: Cylinder rod extends with high pressure for impact. Rod retracts under low pressure.

**Super Quick Exhaust used as a shuttle valve.** Air from 3-way valves (1 or 2) always directed to cylinder (3).

**High-Low Pressure.** Reduce noise, shock, and stress on cylinder. Extend rod with low pressure (2) to position, hold, etc. Switch to high pressure (1) to lock, bend, reposition, etc. Return to low pressure by closing (1), or retract rod by closing (1) and (2).



	<b>QUICK EXHAUST VALVES</b>	<b>Ports</b>	<b>CFM*</b>	<b>Page</b>
<b>SMALL</b>	SQE	10-32	7	92-93
	SQE1	1/8	63	92-93
	SQE2	1/4	85	92-93
<b>LARGE</b>	QE2	1/4	120	92-93
	QE3	3/8	155	92-93
	QE4	1/2	373	92-93
	QE5	3/4	395	92-93

*\*Nominal flow @100 psi*



# Quick Exhaust Valves

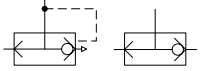
SQE, SQE1, SQE2, QE2, QE3, QE4, QE5

The Humphrey family of Super Quick Exhaust Valves are world renowned for service life and high flow. Available in seven sizes from 10-32 UNF porting to 3/4 PIPE port, Humphrey Quick Exhaust Valves have a bat wing, molded shuttle that totally outperforms competitive flat-disc, sheet stock diaphragm types.

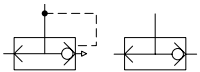
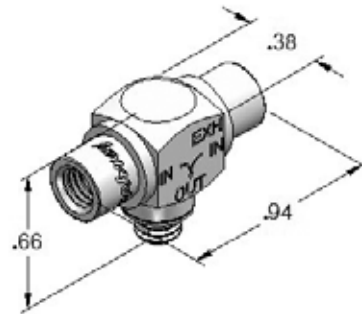
Miniature, brass SQE model, with 10-32 ports, available. See TAC section, pages 72-73.

## Features

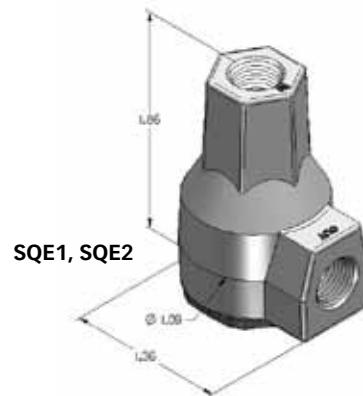
- Mount close nipple to cylinder/actuator port and short circuit exhausting air for super high speed cycling.
- Compact size, high flow.
- Outperforms all others.
- Outlasts all others.
- Also use as a shuttle valve, or plug exhaust port for check valve function.



SQE



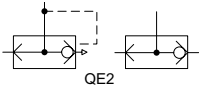
SQE1, SQE2



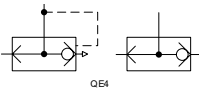
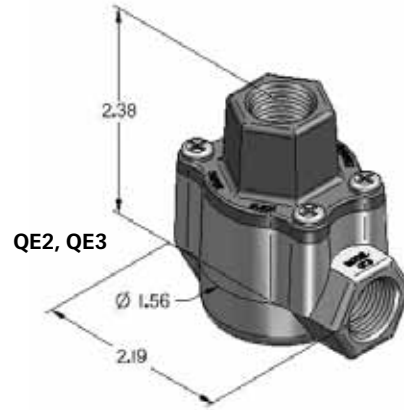
SQE1, SQE2

## SPECIFICATIONS

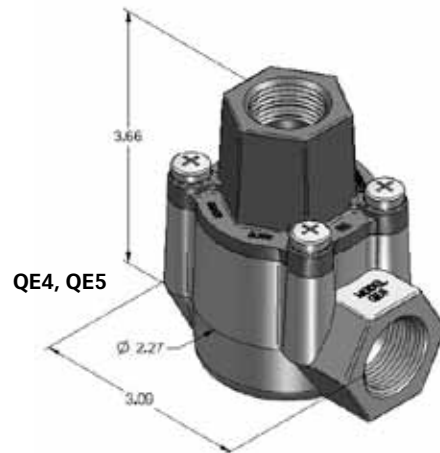
Design Principle:	Quick Exhaust	Flow @100 PSIG:	SQE: 7 CFM (Cv=0.1)
Port Size:	10-32 UNF to 3/4 PIPE		SQE1: 63 CFM (Cv=1.1)
Media:	Air, Inert Gases		SQE2: 85 CFM (Cv=1.4)
Pressure Range:	0-150 PSIG		QE2: 120 CFM (Cv=2.0)
Temperature Range:	-25° to 180°F		QE3: 155 CFM (Cv=2.6)
			QE4: 373 CFM (Cv=6.2)
			QE5: 395 CFM (Cv=6.6)



QE2, QE3



QE4, QE5



### HOW TO OBTAIN SPECIFICATIONS FOR A PARTICULAR VALVE(S)

- ☞ Go directly to [www.humphrey-products.com/dynamic/products](http://www.humphrey-products.com/dynamic/products)
- ☞ Or, visit [www.humphrey-products.com](http://www.humphrey-products.com) and select "Online Product Guide."
- Once you have followed the steps to get the valve you need, select "Download Spec Sheet." Doing this will create a personalized PDF of the valve, which you may save to your computer and print at your convenience. These spec sheets are helpful when placing your order(s).

### HOW TO ORDER HUMPHREY VALVES AND ACCESSORIES

- ☞ Go directly to: [www.humphrey-products.com/?q=content/find-distributor](http://www.humphrey-products.com/?q=content/find-distributor)
- ☞ Or, visit [www.humphrey-products.com](http://www.humphrey-products.com), select "Find A Distributor," and input your information to locate a distributor nearest you.
- Or, call Customer Service at 1-800-477-8707 for the name and phone number of your local distributor.



**HUMPHREY PRODUCTS ARE SOLD WORLD-WIDE THROUGH AUTHORIZED DISTRIBUTORS**

## BUILD ON OUR EXPERIENCE

Humphrey brings over 50 years of valve design and fluid control experience to our valued customers, and over 20 years of custom tailored products through our Engineered Solutions team. With Engineered Solutions, our clients effectively outsource the design and manufacture of the fluid control, or fluid power element, of their product to Humphrey. In turn, they are able to focus a greater amount of their time and resources on what they do best — what actually differentiates them more from their competitors. Our engineers carefully select from a variety of proven Humphrey valve designs and years of application experience to tailor the best component or system for our clients. That combination results in a better, often simpler, product and faster time to market, at a lower total cost.

## THE ENGINEERED SOLUTIONS PROCESS

### Challenge

We begin working closely on a peer-to-peer basis with your engineers early in the design process to understand your needs.

### Concept

Often we present multiple concepts and will recommend a design that provides maximum benefits to you.

### Solution

We finalize the design using proven reliable Humphrey valve technology and assist you in moving quickly from prototype, through pilot production, to production.

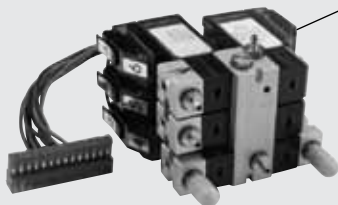
### Results

We implement your solution, measuring results against your original request, and continue to explore ways to help you further reduce your costs.



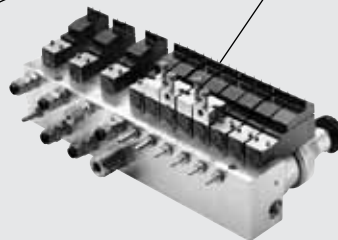
### Example:

Humphrey HK5 Solenoid Valve was the key to numerous Engineered Solutions successes.



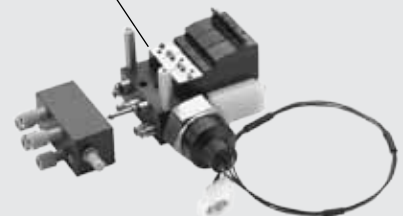
### CASE HISTORY CH-BK1 Ultra-Low Leakage Custom Manifold Assembly

Humphrey engineers utilized the proven HK5 valve to achieve virtually zero leakage to meet the customer's critical specifications. Then they designed a custom valve assembly to fit inside an extremely small envelope. The special manifold design interconnects certain valves.



### CASE HISTORY CH-LE1 Custom Manifold Assembly Improves Performance

To improve the performance and reduce costs in a portable test unit, Humphrey engineers integrated separate components into a single package. Utilizing the proven HK5 valve that functions with a wide range of gases enabled Humphrey to reduce the size and complexity of the pneumatic control valve manifold.



### CASE HISTORY CH-LE2 Unique Miniature Dockable Valve Module

Utilizing the proven HK5 valve, to achieve ultra-low leak rates, Humphrey engineers developed the unique docking station design that provides a positive seal and fast, easy separation. This turned a four-hour service call into a ten-minute replacement process. Humphrey reduced the overall size by 75%, enabling the customer to shrink the product from a desktop unit down to the size of briefcase.



## HUMPHREY ENGINEERED SOLUTIONS — CASE HISTORIES



### Case History CH-SP1: Air Bed Mattress

A manufacturer of special mattress systems for pressure management and patient repositioning to help prevent the formation of pressure ulcers had a concern about leak rates. Humphrey designed a custom valve assembly utilizing its proven 310 valves to create a unit that not only reduced the leak rates, but made installation easier thus reducing assembly costs.



### Case History CH-TH1: Heart Assist Device

A manufacturer of a range of Ventricular Assist Devices need a valve manifold system that was reliable. Humphrey designed a complete assembly that greatly improved reliability by utilizing the proven 320 valve. Humphrey also accelerated the development process, delivering functioning products in an exceptionally short period of time.

### Case History CH-CH1: Oxygen Concentrator

A manufacturer of O<sub>2</sub> concentrators for in-home oxygen therapy wanted a design that would increase flow rate. Starting with Humphrey's proven 320 and Mizer valves, Humphrey engineers designed a low pressure pilot valve that increased the flow rate by 20%.

### Case History CH-VI1: Respiratory Care

A manufacturer of respiratory care and critical care products wanted to introduce a portable rebreather for emergency medical treatment of victims of toxic gas or smoke inhalation. Humphrey designed a valve/manifold assembly using pilot-operated 310 valves that met the critical response time and desired size requirements for portability.

### Case History CH-AB1: Heart Assist Valve/Pump

Humphrey developed a custom valve manifold assembly to power and control the operation of a critical medical device. Humphrey engineers also developed a special hand pump with a unique tube-inside-a-tube design. The hand pump can be used when the patient needs to be untethered from the powered unit.



### Case History CH-AMT-01: Bus Door Operator

A school bus manufacturer needed a compact manifold assembly for the door operator on a new vehicle design. Humphrey utilized their proven 310 and 410 valves and created a special manifold that was simple and easy to install in the restricted space.

### Case History CH-WB1: Truck Trailer Control

A manufacturer of trailers that can operate on the highway or be coupled together on wheelsets to make up a train wanted to reduce the time and cost of the process. Humphrey redesigned their valve module utilizing the proven Cartridge Insert valves to lower the unit cost, increase air flow to speed up the process and make the module far more robust.



### Case History: Conveyor System

A major manufacturer of accumulation conveyor systems wanted to replace its existing mechanically actuated pneumatic valve controls system with a photoelectric sensor-actuated valve control. Humphrey designed a valve assembly that incorporated DIP switches to enable a user to also manually change the conveyor logic mode.

### Case History CH-PE1: Pendant Control

A manufacturer of air balancing equipment wanted to enhance its existing control handle. Using Humphrey's proven pendant control valve, Humphrey engineers designed a modular system that could scale to virtually any control requirement.



### Case History CH-SM1: Paintball Marker

A major manufacturer of pneumatically-powered paintball markers wanted to introduce a new product having faster firing rate. Working in conjunction with Japanese partner, Koganei, Humphrey was able to offer a new valve with fewer parts, less weight, lower manufacturing costs, more reliable operation and a standard operation pressure at 225 psig.



### Case History CH-FA1: Firearm Simulator

A manufacturer of simulated firearms training systems wanted to provide the same recoil ("kick") that the trainee would experience firing a real weapon. Humphrey designed a custom valve manifold/cylinder assembly that fits in the stock of laser-emitting firearms. Humphrey engineers utilized a proven 310 valve on a custom manifold and modified a Humphrey air cylinder to reduce friction.



### Case History CH-BRA-01: Ultrasonic Welder

A manufacturer of ultrasonic welding equipment needed a custom flow control to improve product performance. Humphrey developed a compact custom valve assembly to meet the exacting design and performance specifications.



### Case History CH-SAF-01: Air Motor Control

A manufacturer of automotive parts cleaning systems wanted a rugged, dual-function control valve. Humphrey engineers designed a valve assembly with a single shaft for both on/off control and pressure regulation.

#### HOW TO OBTAIN THE COMPLETE CASE HISTORIES OF THESE AND OUR OTHER ENGINEERED SOLUTIONS

- 🔗 Go directly to [www.humphrey-products.com/?q=content/engineered-solutions-case-histories](http://www.humphrey-products.com/?q=content/engineered-solutions-case-histories)
- 🔗 Or, go to [www.humphrey-products.com](http://www.humphrey-products.com)
  - Select "ES Case Histories" and choose from the following categories: Medical, Healthcare Rehabilitation, Oxygen Delivery Equipment, Testing & Measurement, Materials Handling, Transportation, Food Automation, Process Control, Manufacturing Equipment, Small Arms/Air, Firearms Solution, Railroad Equipment, or Environmental.
  - Each category contains a list of related case histories, which are available for you to download in a PDF format at your convenience.

**DON'T TAKE CHANCES**

Compressed air is an extremely powerful medium. Always take maximum precautions when handling any component of a compressed air system.

Never attempt to construct, replace, operate or service any component of a compressed air system unless you have been specifically and properly trained to do so. Always disconnect the supply air and exhaust the air system before attempting to remove or service a component of that system.

Failure to heed these warnings could result in **SERIOUS, EVEN FATAL, PERSONAL INJURY.**

**USE THE RIGHT VALVE**

Humphrey valves are general purpose air valves designed for use in general industrial applications in accordance with the limitations described in this catalog for each valve. The specifications of individual products are subject to change without notice. Consult factory representative for specific information concerning valve/application compatibility. Each Humphrey valve is tested before it leaves our factory to assure the valve's conformance to catalog specifications. Any use or application which deviates from the valve's specifications will void the warranty unless Humphrey has provided specific and written authorization beforehand.

**USE THE RIGHT LUBRICATION**

Except where model specifications state "No lubrication required," all Humphrey valves require appropriate lubrication. Humphrey recommends a non-detergent, 20 W or 30 W, mineral-based petroleum oil for most of its valves. Some lubricants may cause swelling or deterioration of the valve's seals, therefore lubricant/seal compatibility must be confirmed. Read specifications carefully. If there is any doubt, Consult factory representative.

**USE THE RIGHT AIR SUPPLY**

The valved medium, including the lubricants and other substances it may contain, must be compatible with the materials of which the valve is constructed. Read the specifications carefully; if there is any doubt, consult factory representative. Some valve models are vulnerable to contaminated or moisture-laden compressed air. To promote proper functioning and long life in such instances, appropriate air treatment equipment should be installed. Consult your supplier of air filters, regulators, and lubricators.

**USE PROPER SERVICE PROCEDURES**

Never attempt to service a Humphrey valve or any system component unless you have been properly trained to do so. A properly trained person will never attempt to remove or service a component of a compressed air system unless the compressed air has been disconnected and the system thoroughly exhausted.

Some Humphrey valves can be repaired in the field. Humphrey makes available factory seal repair kits (SRKs) and individual valve components for this purpose. All repaired valves should be tested for conformance to specifications before they are returned to service. Field repairing of Humphrey valves voids their warranty.

**DESIGN A PROPER SYSTEM**

Always strive to design systems which are safe as well as efficient. Either eliminate potential hazards completely or install safety features which neutralize them.

Give special consideration to any potential for accidental actuation of a valve. Either select a model that resists accidental actuation or mount the valve to prevent unintended actuation.

Consider the adverse consequences of individual component failure and design to prevent or minimize these consequences. Design a system that will fail safe under conditions of pressure variation, pressure loss, or other system failures.

Read the component literature carefully. If a model is not completely understood, do not apply it without first consulting the factory.

Size valves properly. A model having a capacity insufficient to the system may cause the entire system to be inefficient. Always note the size of the valve orifice – this is often more important than the PIPE connection.

The circuit drawings in this catalog are intended only as examples of circuits in which certain components might typically be used. They are not to be considered recommendations of specific applications. The proper, safe functioning of any system must be insured by the system's designer or user.

Specifications subject to change without notice.

**ORDERS:** All orders are subject to final approval by the Manufacturer.

**QUOTATIONS:** Special pricing on standard or custom products is available and subject to situational-based terms and conditions.

**CREDIT:** Written consent from Manufacturer must be obtained on all credits. Include purchase order number used when goods were ordered. A handling fee will be charged. Additional fees may be charged dependent on age and resalability of returned merchandise, etc.

**CANCELLATIONS:** Written consent from the Manufacturer must be obtained on all cancellations, and a cancellation fee may be charged at time cancellation is authorized.

**SHIPMENTS:** The Manufacturer will ship all goods via the most economical carrier unless otherwise instructed.

**DELAYED DELIVERY:** The Manufacturer shall not be liable for delays, damage, loss of goods in transit, or inability to supply goods for any reason at any time.

**BONDS, INSURANCE, OR SPECIAL WARRANTIES, ETC.:** The Buyer agrees to pay all costs in obtaining same.

**CHANGES:** The Manufacturer reserves the right to make changes in specifications and design, etc., and is not liable for any inconvenience or damage whatsoever caused by such design or specification changes.

**DIES AND FIXTURES, ETC.:** All dies, jigs and fixtures etc. shall be the property of the Manufacturer.

**PRICES:** The Manufacturer reserves the right to change prices without notice.

**INSPECTION:** Buyer waives any claims for shipping errors, shortages, non conformance of goods to order, and defective goods, unless Manufacturer receives written notice of same within ten (10) days after delivery of goods.

**DESIGN AND SPECIFICATIONS:** The design and specifications and other product information contained in this catalog is for general reference purposes based upon customary and usual manufacturing standards and product applications. However, it is difficult to predict or to anticipate the functioning or suitability of the product for any particular application or use. Therefore, nothing herein shall be deemed a representation or warranty of the product design or specifications and Buyer shall have the responsibility for investigating and testing the product in any particular application or use and all risks attendant in such use.

**PRODUCT LIMITED WARRANTY:** Manufacturer Humphrey Products Company warranties its product to be free from defects in workmanship and/or material for one (1) year from date of shipment from factory. Manufacturer shall have no liability under the warranty or otherwise if:

1. The product is not inspected by Buyer within ten (10) days after delivery;
2. The product is used other than in accordance with current operating instructions;
3. The product is subjected to any abuse or abnormal or unintended use;
4. A claim in writing under this warranty is not presented to manufacturer at Kalamazoo, Michigan address on or before ninety (90) days after the date of any alleged defect was first known or could reasonably have been known, whichever is sooner, or;
5. The product is not returned unaltered to Manufacturer within such ninety (90) day period for inspection. Any warranty extends only to the first user of the product.

**DISCLAIMER:** The above Limited Warranty is EXCLUSIVE of any and all other warranties, liabilities or obligations of Manufacturer. MANUFACTURER DISCLAIMS ANY OTHER WARRANTY AND MAKES NO REPRESENTATIONS OR WARRANTY OF ANY KIND EXPRESS OR IMPLIED, INCLUDING BUT NOT LIMITED TO ANY IMPLIED WARRANTY OF MERCHANTABILITY OR FITNESS FOR A PARTICULAR PURPOSE OR OTHER MATTER.

Manufacturer neither authorizes nor assumes responsibility for any other affirmation of fact, description or other representation with respect to its product.

**LIMITATIONS OF LIABILITY:** Manufacturer's liability shall be limited to: 1. product replacement, 2. product repair, or 3. a refund of the product purchase price F.O.B. point of manufacture, and as Manufacturer, at its option may elect. The above remedies shall be Buyer's exclusive remedies for any and all loss or damage claimed by or through Buyer from any cause whatsoever including, without limitation, inability to supply product, errors or delays in shipment, Manufacturer's negligence, or any other matter. Manufacturer shall not be liable for any incidental, special, or consequential damages.

**NUMERICAL LISTING**

2P.....	66, 67	125AH.....	48	420.....	14, 15
2V.....	66, 67	125B.....	62, 63	500A.....	50
3P.....	66, 67	125E1.....	18, 19	500AB.....	50
3V.....	66, 67	125E2.....	18, 19	500AE1.....	38
4P.....	66, 67	125HO.....	56, 57	500AE2.....	38
4PP.....	66, 67	125INL.....	86, 87	500C.....	61
4PPX.....	66, 67	125INS.....	86, 87	500E1.....	38
4V.....	66, 67	125LA.....	48	500E2.....	38
31E1.....	17	125MC.....	62, 63	501-4A.....	51
31P.....	68, 69	125MP.....	62, 63	501-4AA.....	51
31PPX.....	68, 69	125P.....	56, 57	501-4E1.....	39
31V.....	68, 69	125PLG.....	56, 57	501-4E2.....	39
34A.....	71	125T.....	56, 57	501A.....	51
34AR.....	71	125V.....	56, 57	501AA.....	51
34AS.....	71	150-30A.....	72	501E1.....	39
34ASR.....	71	150-31A.....	72	501E2.....	39
34B.....	72	250-4A.....	45	501V.....	61
34C.....	72	250-4AA.....	47	590A.....	50
34CH.....	72	250-4E1.....	37	590AB.....	50
34CW.....	72	250-4E2.....	37	590AE1.....	38
34F.....	72	250-4F.....	60	590AE2.....	38
34T.....	72	250-4H.....	60	590E1.....	38
41E1.....	17	250A.....	44	590E2.....	38
41P.....	68, 69	250AA.....	46		
41PP.....	68, 69	250AE1.....	36		
41PPX.....	68, 69	250AE2.....	36		
41R-D(S)3.....	68, 69	250AH.....	49		
41T-D(S)3.....	68, 69	250AL.....	49		
41V.....	68, 69	250C.....	63		
42A.....	70	250E1.....	36		
42A2.....	70	250E2.....	36		
42AE1.....	40, 41	250F.....	58, 59		
42AE2.....	40, 41	250HO.....	58, 59		
42E1.....	40, 41	250IN.....	86, 87		
42E2.....	40, 41	250P.....	58, 59		
42P.....	70	250PL.....	58, 59		
42PA.....	70	250T.....	58, 59		
42PP.....	70	250V.....	58, 59		
062-4E1.....	18, 19	310.....	12, 13		
062-4E2.....	18, 19	315.....	16		
062E1.....	18, 19	320.....	14, 15, 76, 77		
062E2.....	18, 19	341A.....	71		
125-4E1.....	18, 19	341AR.....	71		
125A.....	44	341AS.....	71		
125AA.....	46	341ASR.....	71		
		401.....	10		
		410.....	12, 13		

**ALPHABETICAL LISTING**

**B**

B3E1.....	7, 76, 77
BF.....	72
BF1.....	72

**C**

C1.....	73
C125.....	73

**F**

F10T.....	28, 29
F15T.....	28, 29
F18T.....	30, 31

**H**

H030-4E1.....	11
H030E1.....	11
H110-4A.....	52
H110-4A2.....	52
H110-4E1(2).....	32, 33
H113-4E2.....	32, 33
H180-4A.....	52
H180-4A2.....	52

**H – continued**

H180-4E1(2) ..... 32, 33  
 H240-4E ..... 34, 35  
 H243-4E ..... 34, 35  
 HA110-4A ..... 52  
 HA110-4A2 ..... 52  
 HA110-4E1(2) ..... 32, 33  
 HA113-4E2 ..... 32, 33  
 HA180-4A ..... 52  
 HA180-4A2 ..... 52  
 HA180-4E1(2) ..... 32, 33  
 HA240-4E ..... 34, 35  
 HA243-4E ..... 34, 35  
 HEA10A ..... 22, 23  
 HEA10F ..... 22, 23  
 HEB10A ..... 22, 23  
 HEB10F ..... 22, 23  
 HG010 ..... 6, 76, 77  
 HG010E1 ..... 6  
 HG010HE1 ..... 6  
 HG0101LE1 ..... 6  
 HGA010HE1 ..... 6  
 HGA010LE1 ..... 6  
 HGA0101E1 ..... 6  
 HJA10A ..... 26, 27  
 HJC10A ..... 24, 25  
 HJC10F ..... 24, 25  
 HJE12A ..... 24, 25  
 HJE12F ..... 24, 25  
 HK5 ..... 8, 9, 76, 77  
 HKL5 ..... 8, 9  
 HV030E1 ..... 11  
 HW240-4E ..... 34, 35  
 HW243-4E ..... 34, 35

**J**

J125IN ..... 88, 89

**M**

M31E1 ..... 17  
 M41E1 ..... 17  
 M42AE1 ..... 40, 41

M42AE2 ..... 40, 41  
 M42E1 ..... 40, 41  
 M42E2 ..... 40, 41  
 M310 ..... 12, 13  
 M401 ..... 10  
 M410 ..... 12, 13  
 M420 ..... 14, 15  
 MB3E1 ..... 7  
 MC41E1 ..... 17  
 Mini Mizer ..... 7  
 Mini Mizer B3E1 ..... 76, 77  
 Mini Myte ..... 17

**P**

PBF1 ..... 72

**Q**

QE2 ..... 92, 93  
 QE3 ..... 92, 93  
 QE4 ..... 92, 93  
 QE5 ..... 92, 93

**R**

R322C ..... 53  
 R332 ..... 53  
 R561 ..... 53  
 RSR ..... 73

**S**

S125 ..... 73  
 S310 ..... 12, 13  
 S410 ..... 12, 13  
 SC1 ..... 73  
 SF ..... 72  
 SQE ..... 73, 92, 93  
 SQE1 ..... 92, 93  
 SQE2 ..... 92, 93

**T**

T062-4E1 ..... 18, 19  
 T062-4E2 ..... 18, 19  
 T062E1 ..... 18, 19  
 T062E2 ..... 18, 19

T125-4E1 ..... 18, 19  
 T125E1 ..... 18, 19  
 T125E2 ..... 18, 19  
 Tyna-Myte 062 ..... 18, 19  
 Tyna-Myte 125 ..... 18, 19

**U**

UEF ..... 72  
 URTF ..... 72  
 UTF ..... 72

**V**

V062E1 ..... 76, 77  
 V125B ..... 82, 83  
 V125HO ..... 82, 83  
 V250C ..... 82, 83  
 V250P ..... 82, 83  
 V310 ..... 76, 77  
 V500C ..... 82, 83  
 VA125A ..... 80, 81  
 VA250A ..... 80, 81  
 VA250AE1(2) ..... 78, 79  
 VA500A ..... 80, 81  
 VA500AE1(2) ..... 78, 79  
 VA590A ..... 80, 81  
 VA590AE1(2) ..... 78, 79  
 VT062E1 ..... 76, 77  
 VV125A ..... 80, 81  
 VV250A ..... 80, 81  
 VV250AE1 ..... 78, 79  
 VV500A ..... 80, 81  
 VV500AE1 ..... 78, 79  
 VV590A ..... 80, 81  
 VV590AE1 ..... 78, 79

**W**

W125IN ..... 88, 89  
 W250IN ..... 88, 89

**Y**

Y125IN ..... 88, 89  
 Y250IN ..... 88, 89  
 Y500IN ..... 88, 89

*Humphrey has a rich history of valve design for industry, including but not limited to, the products shown here. Our design variety allows us to apply the best solution to each application, based on your specific requirements, such as flow, pressure, media, porting, ambient/temperature environment, etc. Many designs are flexible, and can be customized for exact or difficult requirements. Please contact a factory representative for more details.*

*Please refer to the facing page for the corresponding illustrations.*

**Diaphragm-Poppet**

Two, molded diaphragm-poppet elastomers pressed on to the common stem. In operation, poppets shuttle between mating seats within the valve body. Simple design has short stroke, high flow and tight sealing characteristics. No sliding seals, or metal to metal contact, results in excellent performance whether media is gas or liquid, instrument clean and dry, or dirty and contaminated. Rugged, reliable. A classic Humphrey original.



250A

**Quick Exhaust**

World’s best. Beefed up “umbrella” shaped shuttle allows supply air to pass easily from IN to OUT port. When upstream supplied pressure drops, shuttle shifts, sealing off IN port, via lip seals, and media quick exhausts to piped exhaust port. Shuttle is the only moving part and lasts longer than competitive sheet stock designs..



QE3

**Mini-Mizer: Solenoid Operated Plunger**

Simple, unbalanced solenoid plunger design was the first solenoid valve to offer low 0.5 Watt power consumption. Plunger shifts from sealing at bottom seat to sealing at top seat when coil is energized. Spring returns plunger to bottom seat when coil is de-energized. Design is flexible, and can be tailored to exact requirements.



B3E1

**HK5: Balanced Diaphragm-Poppet**

Design is based on our heritage, the diaphragm-poppet principle, but in a miniature, balanced design. Result is a multi-purpose, multi-media valve unmatched in the market. Solenoid directly operates main stem and the opposing diaphragm-poppets as they shuttle between valve seats. The injection molded body is designed for maximum mounting and porting flexibility.



HK5

**310/320: Balanced Poppet, 3-port**

Internal forces from the supplied media are neutralized, based on the principle of opposing forces. Thus, force from the solenoid’s magnetic field must overcome only the force of the return spring. Result is a fast response, full pressure range valve with high flow and low current consumption. Humphrey’s most popular seller.



310

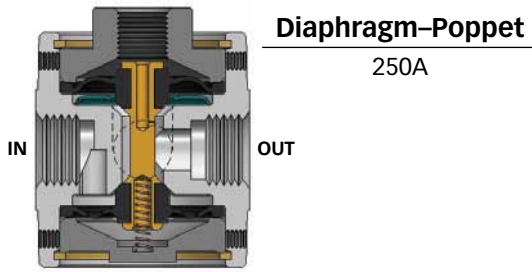
**410/420: Balanced Double Poppet, 4-port**

Internal forces from the supplied media are neutralized based on the principle of opposing forces in a 4-port, multi-purpose design. Force from the solenoid’s magnetic field must overcome only the force of the return spring. Result is a fast response, full pressure range valve with high flow and relatively low current consumption. Each valve can be used as 2-, 3- or 4-way, diverter or selector function.



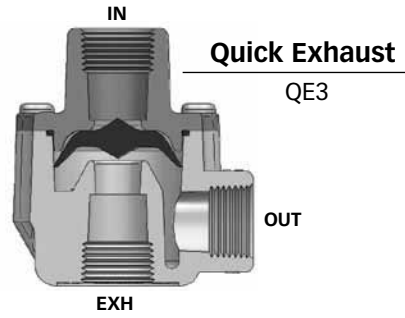
420

# HUMPHREY VALVES – DESIGN PRINCIPLES



**Diaphragm-Poppet**

250A

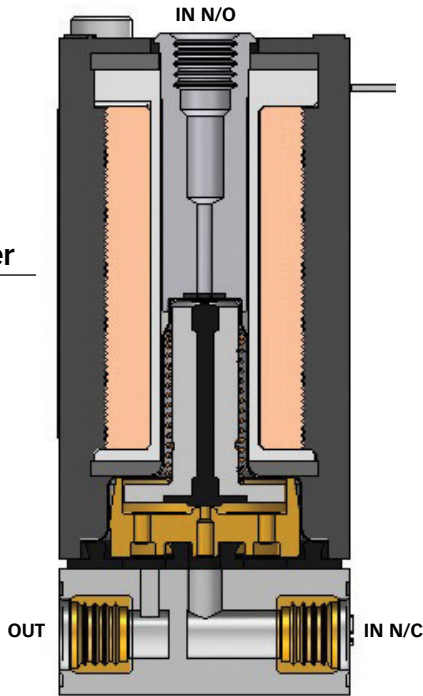


**Quick Exhaust**

QE3

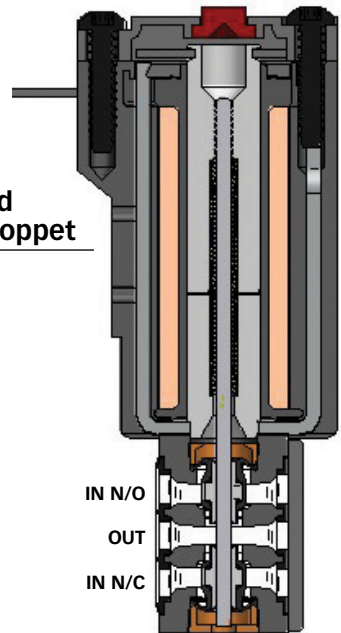
**Solenoid Operated Plunger**

Mini Mizer, B3E1

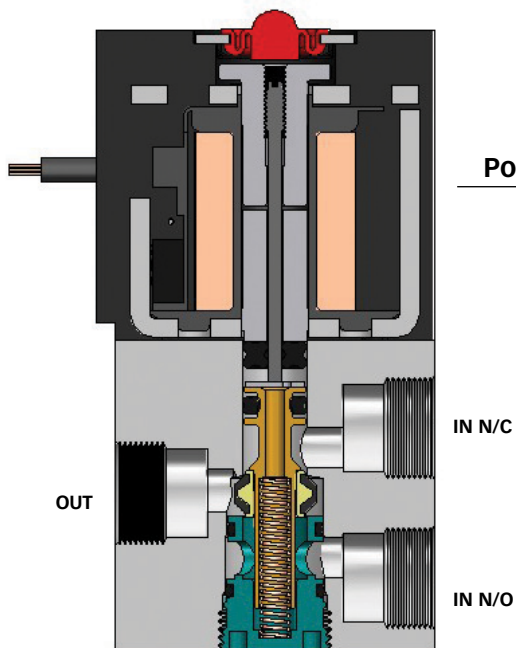


**Balanced Diaphragm-Poppet**

HK5



IN N/O  
OUT  
IN N/C



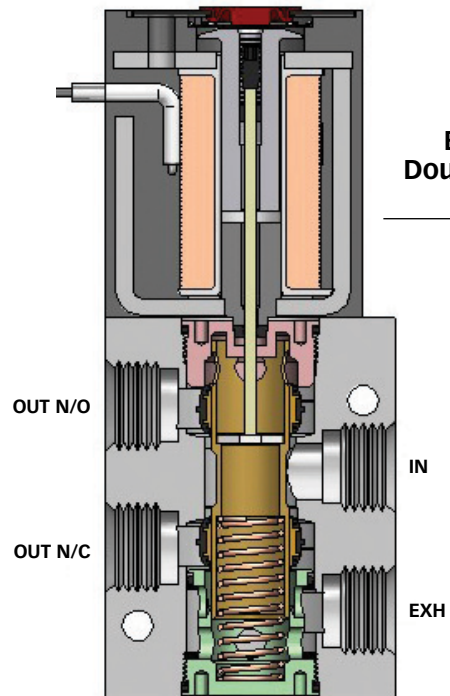
**Balanced Poppet, 3-port**

310/320

IN N/C

OUT

IN N/O



**Balanced Double Poppet, 4-port**

410/420

OUT N/O

OUT N/C

IN

EXH



*Humphrey*<sup>®</sup>

A privately owned US company since 1901.

[www.humphrey-products.com](http://www.humphrey-products.com)  
Humphrey Products Company • P.O. Box 2008 • Kalamazoo, MI 49003 USA  
P.269.381.5500 • F.269.381.4113