



mecalr ETC1

# SINGLE PILOT VALVE SEQUENTIAL TIMER

# MECAIR SINGLE PILOT VALVE SEQUENTIAL TIMER

ETC1



## DESCRIPTION

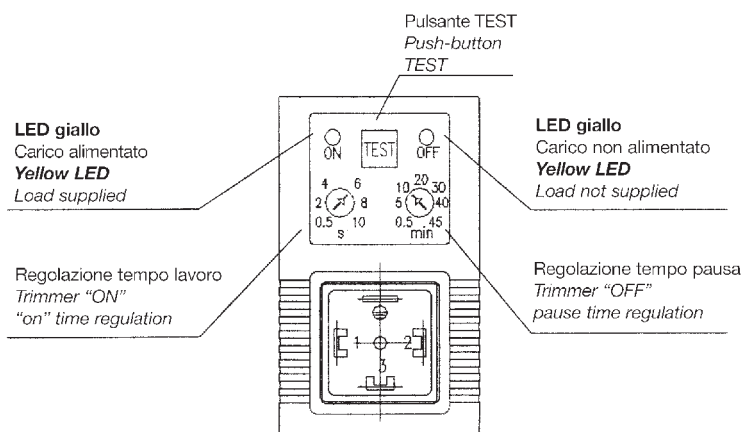
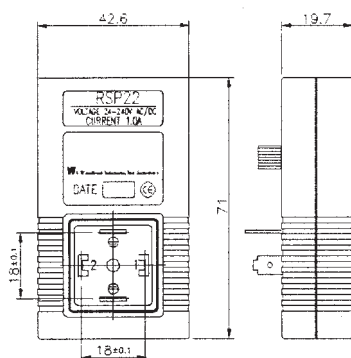
The electronic connectors model **ETC1** are timers with cyclical repetition of control. The load is supplied as soon as the power is switched on. The trimmer "ON" controls the ON-time for valve energising, whilst trimmer "OFF" sets the interval between two sequential times. The sequence is repeated for as long as the power supply remains connected. A "TEST" button is provided and two LEDs are used to show the state of the timer.

**Note:** The timer is supplied equipped with IP65 connector.

CONNECTOR	CODE	TIME
PG9	ETC1	0.5/10 sec.

TECHNICAL CHARACTERISTICS	
Supply voltage	24/240V AC/DC – ±10% 50/60 Hz
Max. current	1 A
Current consumption	4 mA max.
Operating temp. range	–40°C/+60°C
Design standard	VDE 0110 – 1/89
Environmental protection	IP65 assembled
Connection	DIN 43650A/ISO 440
Housing material	ABS Plastic FR grade
Off time	0.5–45 minutes
On time	0.5–0 seconds
Scale accuracy	±10%
Indicators	YELLOW LED – ON phase YELLOW LED – OFF phase

## DIMENSIONS (mm)





CLEANAIRSYSTEMS.COM

© 2014 Pentair Clean Air Systems reserves the right to change product designs and specifications without notice.